



**JOINTECH**



**您最佳的合作伙伴**  
YOUR BEST PARTNER



[www.toggle-clamps.com](http://www.toggle-clamps.com)

# 快速夾具產品目錄

TOGGLE CLAMPS PRODUCT CATALOG

**專特科實業有限公司**  
JOINTECH INDUSTRIAL CO.,LTD



# Company Profile

## 公司介绍

专特科实业有限公司是一家集研发设计，生产制造和销售为一体的公司，二十多年来一直致力于快速夹钳，大力钳，箱包搭扣和喉箍等系列产品的研发营销。经过不断的积累创新，现已发展成一家技术力量雄厚，结构完善的新型企业。我公司拥有数控车床法兰克操作系统和CNC加工中心三菱操作系统生产设备，结合公司强大的销售团队，产品远销东南亚地区和欧美各国，服务于千家不同领域的客户。

专特科系列产品专注于飞机，汽车制造业和工业界所需工装，专用夹具的产品营销，服务及研发，竭力为中国制造业提供稳定可靠，耐用精准的得力工具。公司坚持客户至上，凭借专业的技术为客户提供多样化的选择，除各类通用夹具外，还可根据客户要求要求进行特别订制，并能针对客户需要设计出优秀的产品。

Jointech Industrial Co.,Ltd is a R&D,manufacturing and sales company.In the past over 20 years,we have been focusing on the development of toggle clamps, toggle hasps,locking pliers,hose clamps and CNC machining parts.By constant accumulation and innovation,Jointech has made itself to be a new enterprise with strong technical capability and well-organized management.With the help of precise CNC machines and skilled employees, our products has been sold out to over 50 different countries.

Jointech specializes in development and design of aircraft,automobile and all manufacturing and processing industries,strives for the manufacturing industry in China to provide reliable,durable,effective and accurate tools.Jointech offers all types of fixtures for customers,not only provides all kinds of universal fixtures, but also ables to produce customized ones as per customer's requirements.People from home and abroad are warmly welcomed to our factory for business activities! We bet our services will be different!



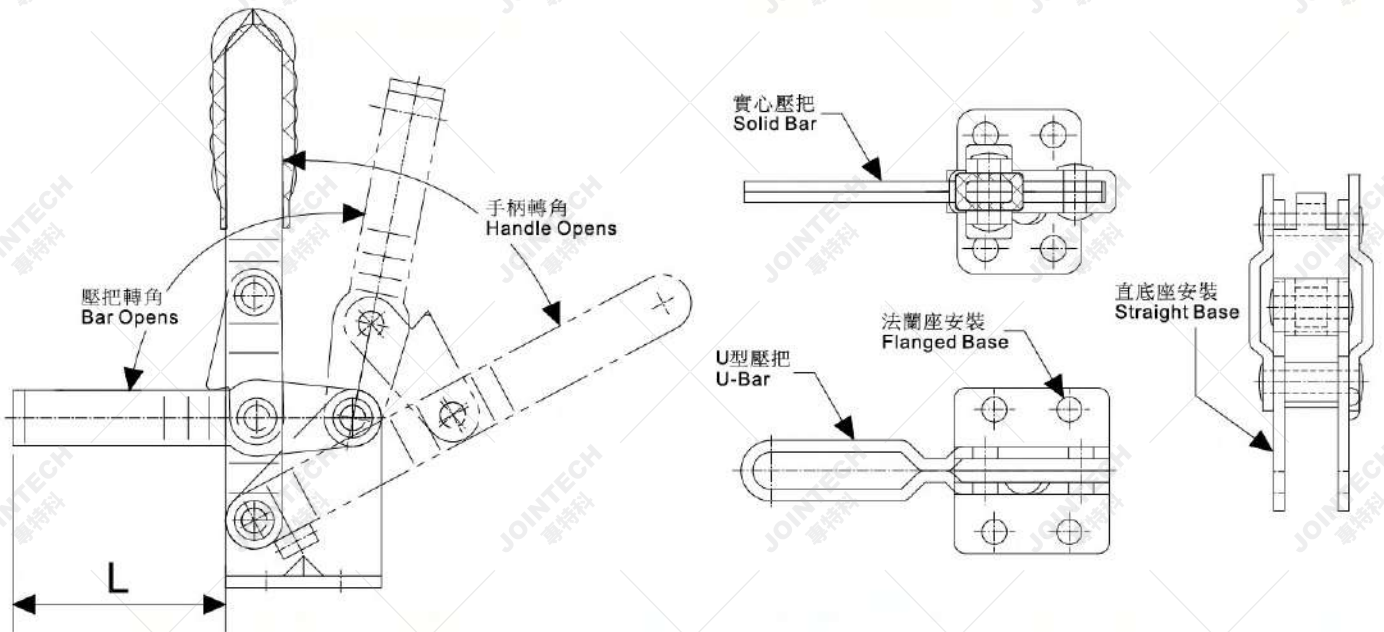












(快速夾鉗型錄) 英漢對照

英文	中文
MODEL	型號
WEIGHT	自重
HOLDING CAPACITY	夾持力
SPINDLE SUPPLIED	壓頭螺絲型號
BAR OPENS	壓把開啟角度
HANDLE OPENS	手柄開啟角度
U-BAR	U型壓把
(LONG)SOLID BAR	(長)實心壓把
(SHORT)SOLID BAR	(短)實心壓把
OPEN BAR	開口壓把
HIGH BAR	高壓把
LOW BAR	低壓把
FLANGED BASE	法蘭底座
STRAIGHT BASE	直底座
LEFT HAND FLANGED BASE	左法蘭底座
RIGHT HAND FLANGED BASE	右法蘭底座
STRAIGHT HANDLE	直手柄
T-HANDLE	T型手柄
SIDE MOUNTED	側面法蘭安裝
PLUNGER STROKE	行程
STAINLESS STEEL	不銹鋼
CYLINDER BORE	缸徑
CYLINDER AREA	氣缸面積
MAXIMUM CYLINDER AIR PRESSURE	氣缸最大的壓力
MAXIMUM HOLDING CAPACITY	最大夾持力



INDEX(Basic Toggle Action)/產品基本類型

PAGE 06 ~ 20



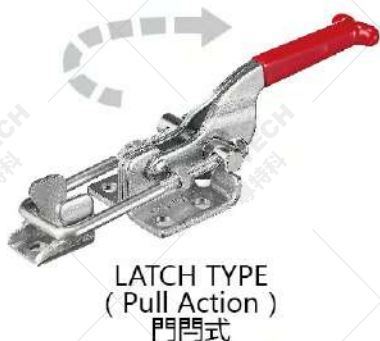
PAGE 21 ~ 36



PAGE 37 ~ 50



PAGE 51 ~ 60



PAGE 61 ~ 62



PAGE 63 ~ 67



PAGE 68 ~ 72



PAGE 73 ~ 85



PAGE 86 ~ 90



PAGE 91 ~ 98



PAGE 99 ~ 100



PAGE 101 ~ 105





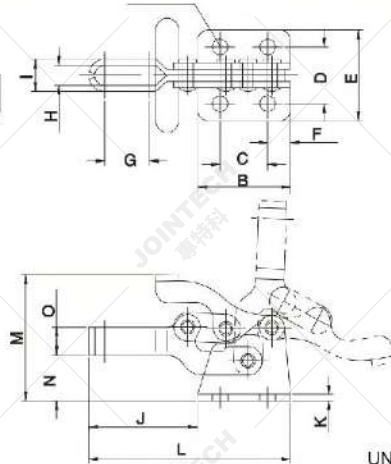
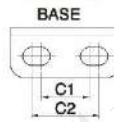
**GH-13005 THRU GH-13008**

GH-13008 has  
Hardened bushings  
Removable ground pins ,  
( GH-13008产品转动关键  
部位装有耐磨套 )



GH-13005

GH-13007  
GH-13008



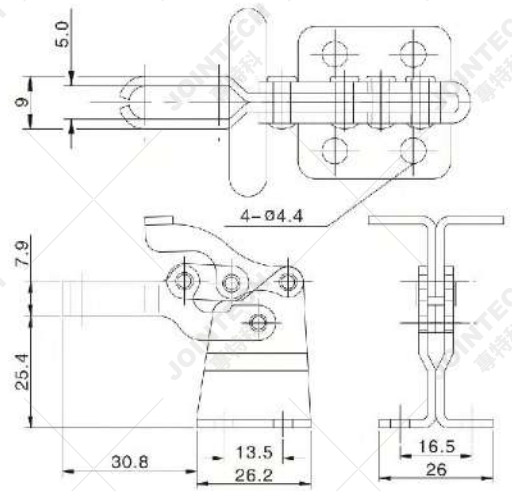
UNIT:m.m.

MODEL	WEIGHT(g)	HOLDING CAPACITY(kg)	SPINDLE SUPPLIED	BAR OPENS	HANDLE OPENS	ØA	B	C	C1	C2	D	E	F	G	H	I	J	K	L	M	N	O
GH-13005	60	68	GH-FC-10138	90°	170°	4.4	26.2	13.5	-	-	15.9	25.4	6.4	12.7	5.6	9	30.8	2.0	57	35.2	12.7	7.9
GH-13007	230	150	GH-FC-56212	90°	170°	7	44	-	19	27	29.4	46	10.3	19.5	8.8	14.8	50.1	3.0	93.7	58.7	22.2	12.7
GH-13008	630	320	GH-FC-38312	90°	170°	7.9	64.3	-	31	39	38.1	62.7	12.7	28.9	10.4	19	67.5	3.0	135	88.1	33.3	19
GH-13005-SS	STAINLESS STEEL																					
GH-13007-SS	STAINLESS STEEL																					

**GH-13005-HB AND GH-13005-SM AND GH-13007-SM**



GH-13005-HB

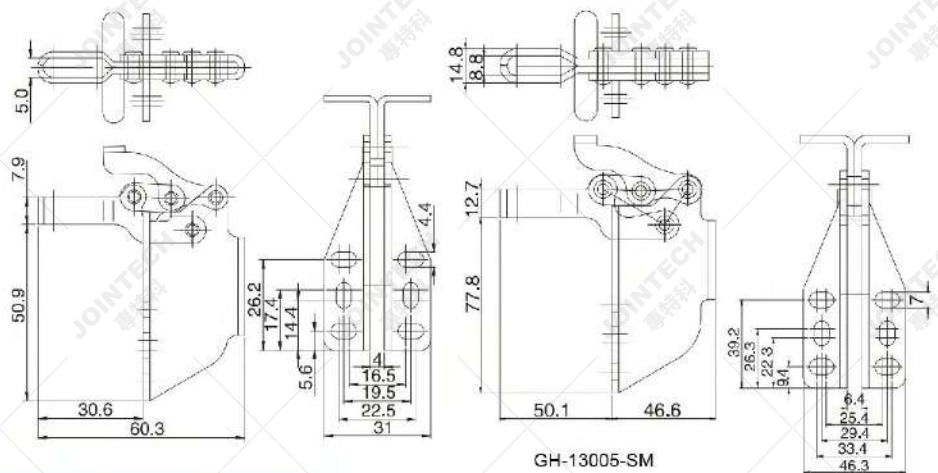


UNIT:m.m.

MODEL	WEIGHT(g)	HOLDING CAPACITY(kg)	SPINDLE SUPPLIED	BAR OPENS	HANDLE OPENS
GH-13005-HB	68	68	GH-FC-10138	90°	170°



GH-13005-SM



GH-13005-SM

UNIT:m.m.

MODEL	WEIGHT(g)	HOLDING CAPACITY(kg)	SPINDLE SUPPLIED	BAR OPENS	HANDLE OPENS
GH-13005-SM	92	68	GH-FC-10138	90°	170°
GH-13007-SM	360	150	GH-FC-56212	90°	170°



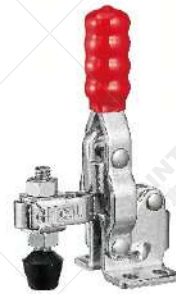
**GH-12050 THRU GH-12085**

WEIGHT(自重) : 170g  
 HOLDING CAPACITY(夾持力) : 91kg  
 SPINDLE SUPPLIED  
 (壓頭螺絲型號) : GH-FC-14134  
 BAR OPENS(壓把開啟角度) : 100°  
 HANDLE OPENS(手柄開啟角度) : 60°

MODEL	DESCRIPTION
GH-12050	FIXED SPINDLE, FLANGED BASE, STRAIGHT HANDLE
GH-12055	FIXED SPINDLE, STRAIGHT BASE, STRAIGHT HANDLE
GH-12060	SOLID BAR, FLANGED BASE, STRAIGHT HANDLE
GH-12065	SOLID BAR, STRAIGHT BASE, STRAIGHT HANDLE
GH-12070	FIXED SPINDLE, FLANGED BASE, T-HANDLE
GH-12075	FIXED SPINDLE, STRAIGHT BASE, T-HANDLE
GH-12080	SOLID BAR, FLANGED BASE, T-HANDLE
GH-12085	SOLID BAR, STRAIGHT BASE, T-HANDLE
GH-12050-U	U-BAR, FLANGED BASE, STRAIGHT HANDLE
GH-12055-U	U-BAR, STRAIGHT BASE, STRAIGHT HANDLE
GH-12050-U80	80mm, U-BAR, FLANGED BASE, STRAIGHT HANDLE
GH-12050-U120	120mm, U-BAR, FLANGED BASE, STRAIGHT HANDLE
GH-12050-SS	STAINLESS STEEL
GH-12050-USS	STAINLESS STEEL



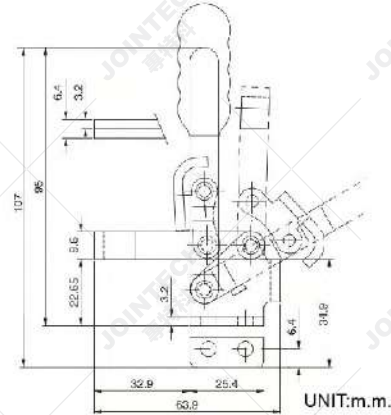
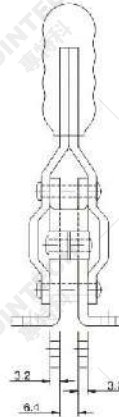
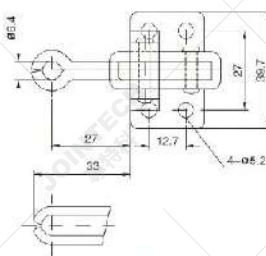
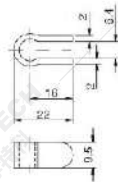
GH-12050



GH-12050-U



GH-12055-U



UNIT:m.m.

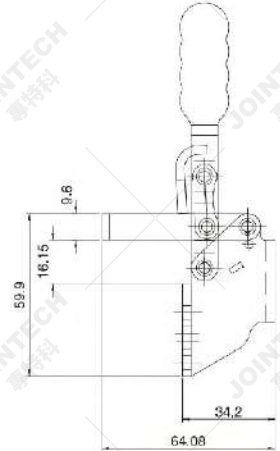
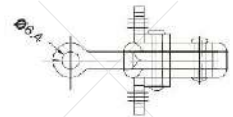
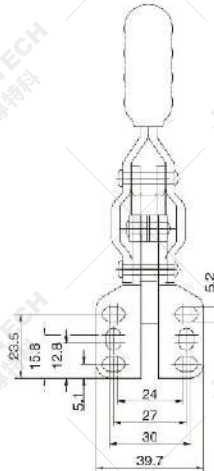
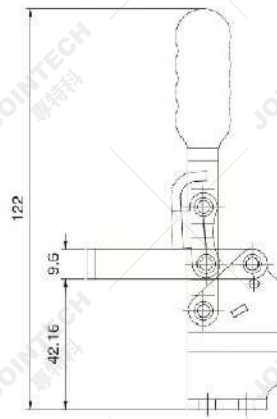
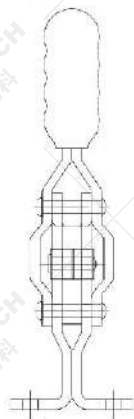
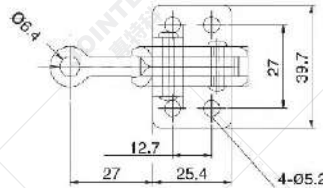
**GH-12050-HB THRU GH-12050-SM**



GH-12050-HB



GH-12050-SM



UNIT:m.m.

MODEL	WEIGHT(g)	HOLDING CAPACITY(kg)	SPINDLE SUPPLIED	BAR OPENS	HANDLE OPENS
GH-12050-HB	186	91	GH-FC-14134	100°	60°
GH-12050-SM					



**GH-101-A THRU GH-101-AT**

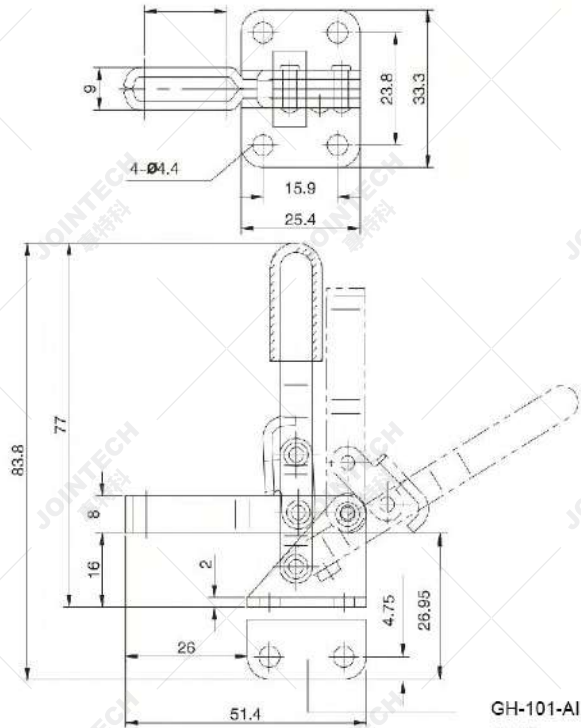
WEIGHT(自重) : 60g  
 HOLDING CAPACITY(夾持力) : 50kg  
 SPINDLE SUPPLIED(壓頭螺絲型號) : GH-FC-10138  
 BAR OPENS(壓把開啟角度) : 100°  
 HANDLE OPENS(手柄開啟角度) : 56°



GH-101-A



GH-101-AT

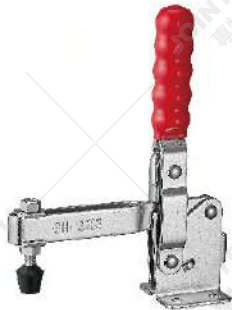


GH-101-AI  
UNIT:m.m.

MODEL	DESCRIPTION
GH-101-A	U-BAR, FLANGED BASE, STRAIGHT HANDLE U型壓把, 法蘭底座, 直手柄
GH-101-AI	U-BAR, STRAIGHT BASE, STRAIGHT HANDLE U型壓把, 直底座, 直手柄
GH-101-AIT	U-BAR, STRAIGHT BASE, T-HANDLE U型壓把, 直底座, T型手柄
GH-101-AT	U-BAR, FLANGED BASE, T-HANDLE U型壓把, 法蘭底座, T型手柄
GH-101-ASS	STAINLESS STEEL 不銹鋼

**GH-12205 THRU GH-12220**

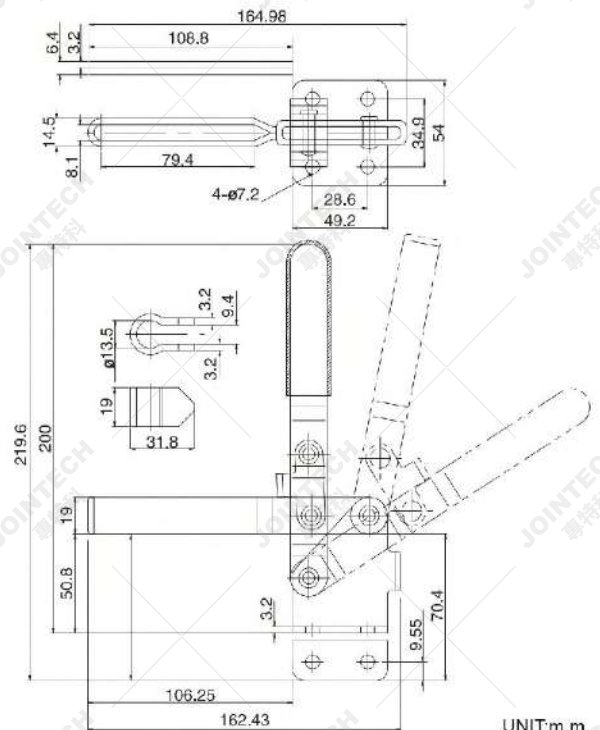
WEIGHT(自重) : 620g  
 HOLDING CAPACITY(夾持力) : 182kg  
 SPINDLE SUPPLIED(壓頭螺絲型號) : GH-FC-56212  
 BAR OPENS(壓把開啟角度) : 101°  
 HANDLE OPENS(手柄開啟角度) : 57°



GH-12205



GH-12220



UNIT:m.m.

MODEL	DESCRIPTION
GH-12205	U-BAR, FLANGED BASE U型壓把, 法蘭底座
GH-12210	U-BAR, STRAIGHT BASE U型壓把, 直底座
GH-12215	SOLID BAR, FLANGED BASE 實心壓把, 法蘭底座
GH-12220	SOLID BAR, STRAIGHT BASE 實心壓把, 直底座







**GH-12265 THRU GH-12300**

Hardened bushings Removable ground pins.

(产品转动关键部位装有耐磨套)

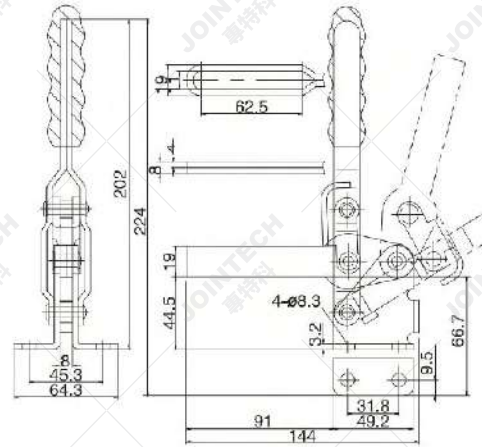
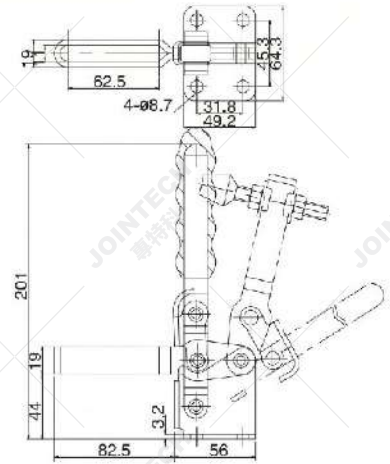
HOLDING CAPACITY(夾持力) : 340kg

SPINDLE SUPPLIED

(壓頭螺絲型號) : GH-FC-38312

BAR OPENS(壓把開啟角度) : 105°

HANDLE OPENS(手柄開啟角度) : 58°



UNIT:m.m.

MODEL	DESCRIPTION	WEIGHT(g)
GH-12265	U-BAR,FLANGED BASE,STRAIGHT HANDLE	635
GH-12270	U-BAR,STRAIGHT BASE,STRAIGHT HANDLE	635
GH-12275	SOLID BAR,FLANGED BASE,STRAIGHT HANDLE	680
GH-12280	SOLID BAR,STRAIGHT BASE,STRAIGHT HANDLE	680
GH-12285	U-BAR,FLANGED BASE,T-HANDLE	710
GH-12290	U-BAR,STRAIGHT BASE,T-HANDLE	710
GH-12295	SOLID BAR,FLANGED BASE,T-HANDLE	735
GH-12300	SOLID BAR,STRAIGHT BASE,T-HANDLE	735
GH-12265-SS	STAINLESS STEEL	

**GH-12305 THRU GH-12320**

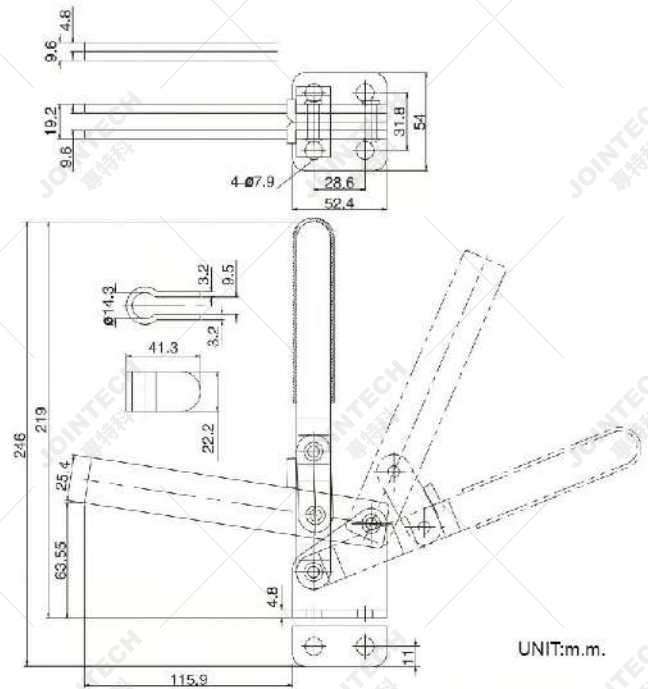
WEIGHT(自重) : 990g

HOLDING CAPACITY(夾持力) : 364kg

SPINDLE SUPPLIED(壓頭螺絲型號) : GH-FC-38312

BAR OPENS(壓把開啟角度) : 100°

HANDLE OPENS(手柄開啟角度) : 65°



UNIT:m.m.

MODEL	DESCRIPTION	
GH-12305	OPEN BAR,FLANGED BASE	開口壓把, 法蘭底座
GH-12310	OPEN BAR,STRAIGHT BASE	開口壓把, 直底座
GH-12315	SOLID BAR,FLANGED BASE	實心壓把, 法蘭底座
GH-12320	SOLID BAR,STRAIGHT BASE	實心壓把, 直底座

**GH-10247 THRU GH-10250**

Hardened bushings Removable ground pins.  
(产品转动关键部位装有耐磨套)

WEIGHT(自重) : 1250g

HOLDING CAPACITY(夾持力) : 450kg

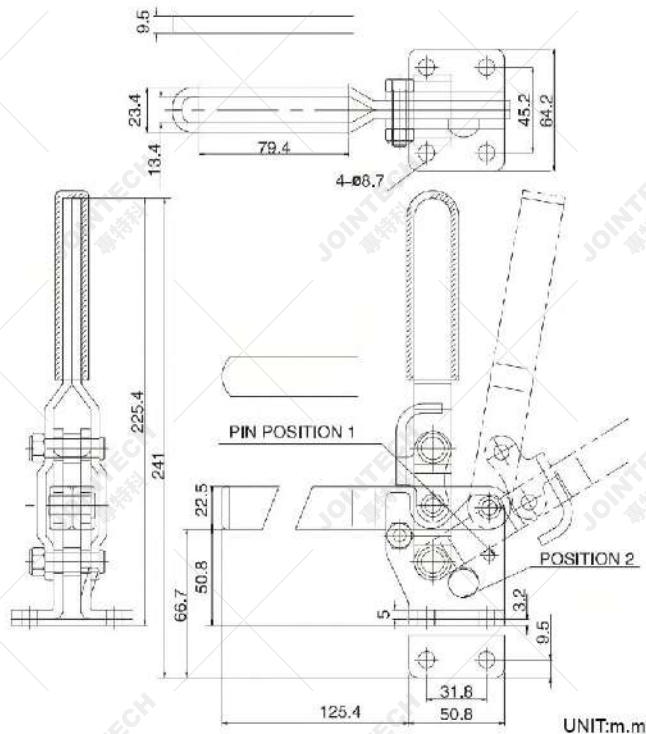
SPINDLE SUPPLIED (壓頭螺絲型號) : GH-FC-12300

BAR OPENS(壓把開啟角度) : 100-135°

HANDLE OPENS(手柄開啟角度) : 58-70°



GH-10247



UNIT:m.m.

MODEL	DESCRIPTION	
GH-10247	U-BAR,FLANGED BASE	U型壓把, 法蘭底座
GH-10248	U-BAR,STRAIGHT BASE	U型壓把, 直底座
GH-10249	SOLID BAR, FLANGED BASE	實心壓把, 法蘭底座
GH-10250	SOLID BAR, STRAIGHT BASE	實心壓把, 直底座

**GH-101-J THRU GH-101-JSI**

Hardened bushings Removable ground pins.  
(产品转动关键部位装有耐磨套)

WEIGHT(自重) : 2540g

HOLDING CAPACITY(夾持力) : 550kg

SPINDLE SUPPLIED (壓頭螺絲型號) : GH-SA-58500

BAR OPENS(壓把開啟角度) : 100-140°

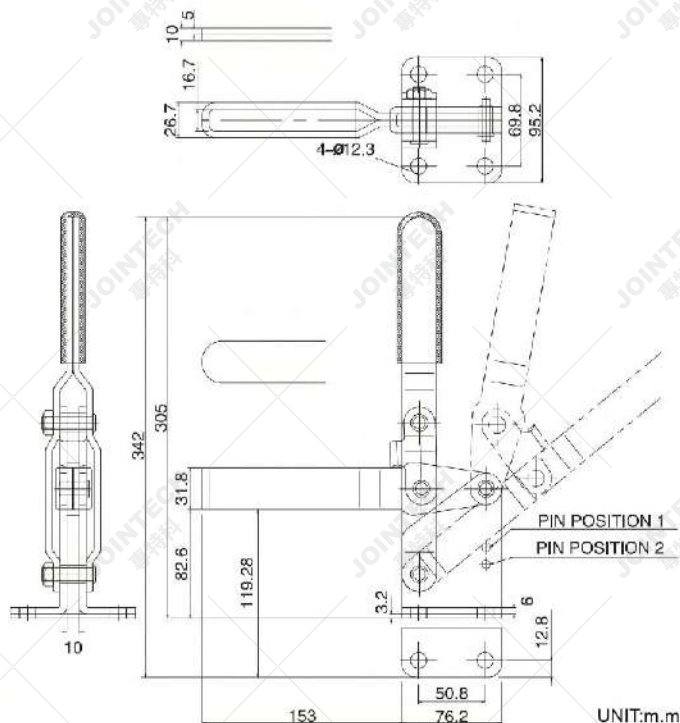
HANDLE OPENS(手柄開啟角度) : 48-60°



GH-101-J



GH-101-JSI



UNIT:m.m.

MODEL	DESCRIPTION	
GH-101-J	U-BAR,FLANGED BASE	U型壓把, 法蘭底座
GH-101-JS	SOLID BAR,FLANGED BASE	實心壓把, 法蘭底座
GH-101-JSB	U-BAR,STRAIGHT BASE	U型壓把, 直底座
GH-101-JSI	SOLID BAR,STRAIGHT BASE	實心壓把, 直底座



**GH-11002-B THRU GH-13002-B**

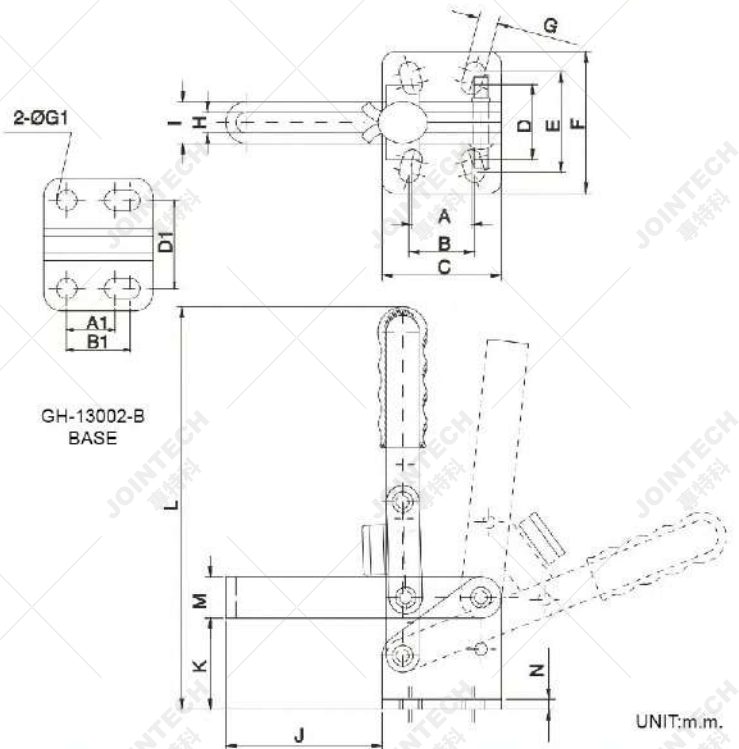
GH-13002-B has  
 Hardened bushings  
 Removable ground pins.  
 产品转动关键部位装有耐磨套



GH-11002-B



GH-13002-B

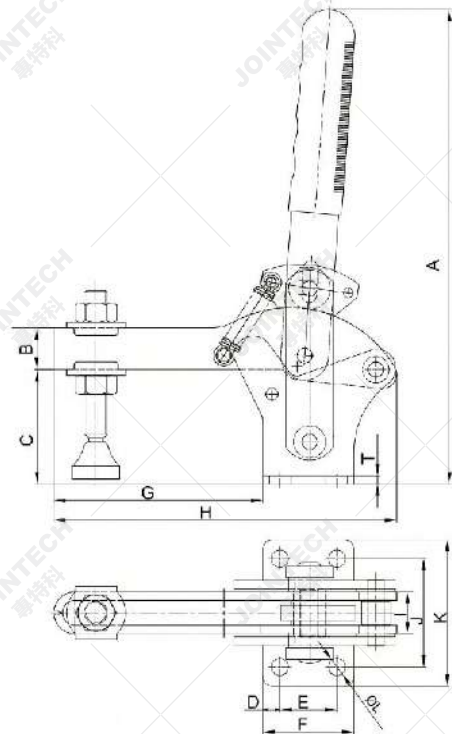


MODEL	WEIGHT(g)	HOLDING CAPACITY(kg)	SPINDLE SUPPLIED	BAR OPENS	HANDLE OPENS	A	A1	B	B1	C	D	D1	E	F	ØG1	G	H	I	J	K	L	M	N
GH-11002-B	128	75	GH-SA-054008	96°	69°	14.0	-	16	-	29	17.5	-	24.2	34	-	4.8	5.0	10	38	22	97	10	2.5
GH-12002-B	170	150	GH-SA-065010	108°	70°	12.7	-	19	-	35	25	-	27	42	-	5.5	6.4	11	44	29	143	13	3.2
GH-13002-B	380	250	GH-SA-086512	106°	67°	-	19	-	25	43	-	33.5	-	51.1	8	-	8.8	12	100	35	196	19	3.2

**GH-60130 AND GH-60131**



GH-60130



MODEL	WEIGHT(g)	HOLDING CAPACITY(kg)	SPINDLE SUPPLIED	BAR OPENS	HANDLE OPENS	A	B	C	D	E	F	G	H	I	J	K	ØL	T
GH-60130	680	250	GH-SF-38300	70°	165°	220	19	39	6.5	22	35	58	118	20	48	62	8	4
GH-60131	1590	350	GH-SF-12400	85°	170°	250	22	60	9	30	48	95	178	25	57	77	9	4.5

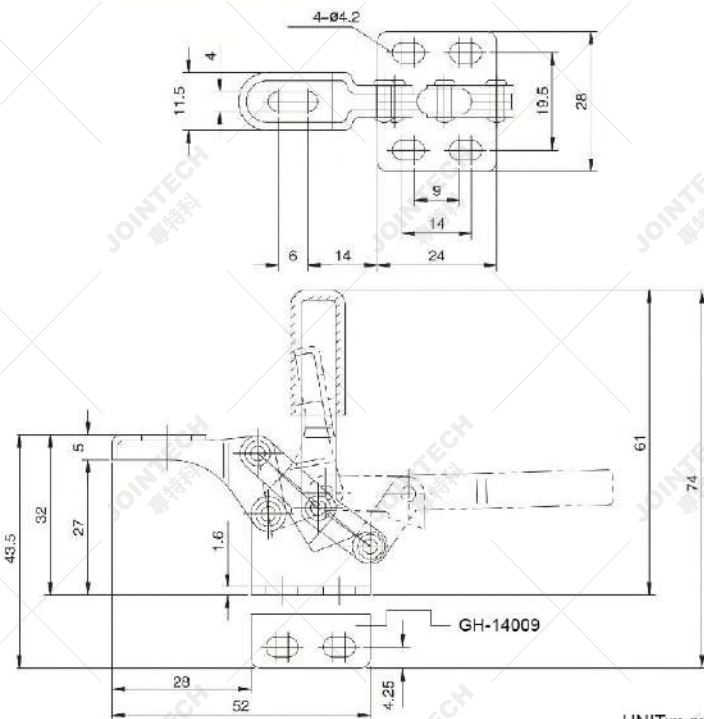
**GH-13009 AND GH-14009**

WEIGHT(自重) : 40g  
 HOLDING CAPACITY(夾持力) : 30kg  
 SPINDLE SUPPLIED(壓頭螺絲型號) : GH-FC-044207  
 BAR OPENS(壓把開啟角度) : 80°  
 HANDLE OPENS(手柄開啟角度) : 88°



GH-13009

GH-14009

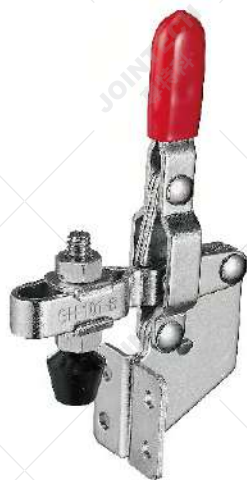


UNIT:m.m.

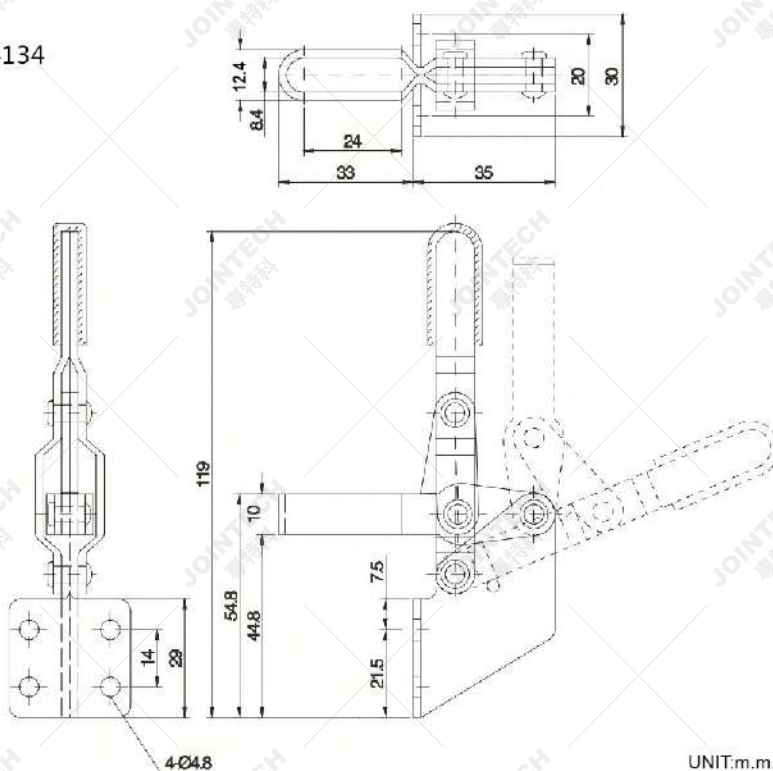
MODEL	DESCRIPTION
GH-13009	FLANGED BASE 法蘭底座
GH-14009	STRAIGHT BASE 直底座

**GH-101-B**

WEIGHT(自重) : 135g  
 HOLDING CAPACITY(夾持力) : 100kg  
 SPINDLE SUPPLIED(壓頭螺絲型號) : GH-FC-14134  
 BAR OPENS(壓把開啟角度) : 90°  
 HANDLE OPENS(手柄開啟角度) : 65°



GH-101-B

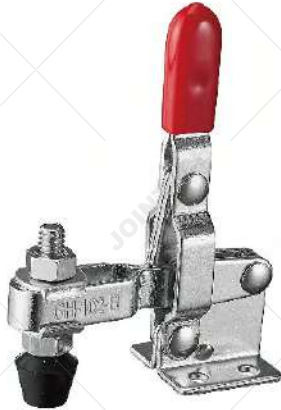


UNIT:m.m.

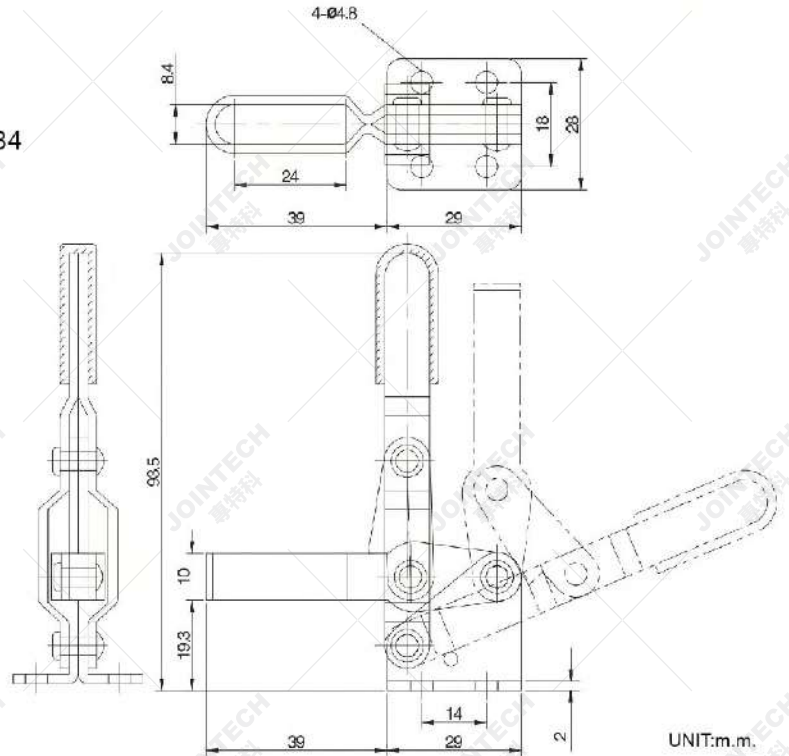


**GH-102-B**

WEIGHT(自重) : 115g  
 HOLDING CAPACITY(夾持力) : 100kg  
 SPINDLE SUPPLIED(壓頭螺絲型號) : GH-FC-14134  
 BAR OPENS(壓把開啟角度) : 90°  
 HANDLE OPENS(手柄開啟角度) : 65°



GH-102-B



UNIT:m.m.

**GH-101-D AND GH-101-E**

**GH-101-DI AND GH-101-EI**

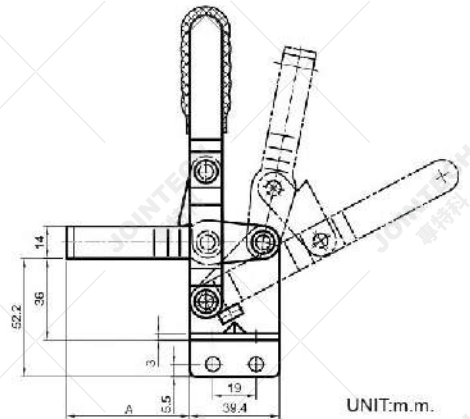
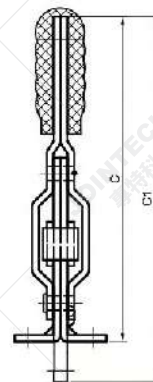
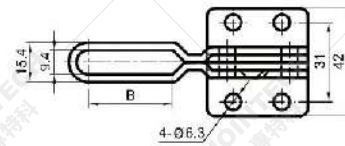
HOLDING CAPACITY(夾持力) : 180kg  
 SPINDLE SUPPLIED(壓頭螺絲型號) : GH-FC-56212  
 BAR OPENS(壓把開啟角度) : 100°  
 HANDLE OPENS(手柄開啟角度) : 60°



GH-101-DI



GH-101-D



UNIT:m.m.



GH-101-EI

MODEL	DESCRIPTION	WEIGHT (g)	A	B	C	C1
GH-101-D	U-BAR, FLANGED BASE, STRAIGHT HANDLE	330	54	32.7	145	-
GH-101-D-15	LONG U-BAR, FLANGED BASE, STRAIGHT HANDLE	412	154	132.7	145	-
GH-101-DI	U-BAR, STRAIGHT BASE, STRAIGHT HANDLE	330	54	32.7	-	159
GH-101-DI-15	LONG U-BAR, STRAIGHT BASE, STRAIGHT HANDLE	412	154	132.7	-	159
GH-101-E	LONG U-BAR, FLANGED BASE, STRAIGHT HANDLE	380	104	82.7	145	-
GH-101-E-20	LONG U-BAR, FLANGED BASE, STRAIGHT HANDLE	440	204	182.7	145	-
GH-101-EI	LONG U-BAR, STRAIGHT BASE, STRAIGHT HANDLE	380	104	82.7	-	159
GH-101-EI-20	LONG U-BAR, STRAIGHT BASE, STRAIGHT HANDLE	440	204	182.7	-	159
GH-101-DL	U-BAR, FLANGED BASE, LONG HANDLE	350	54	32.7	182	-

**GH-101-EU AND GH-101-EIU**

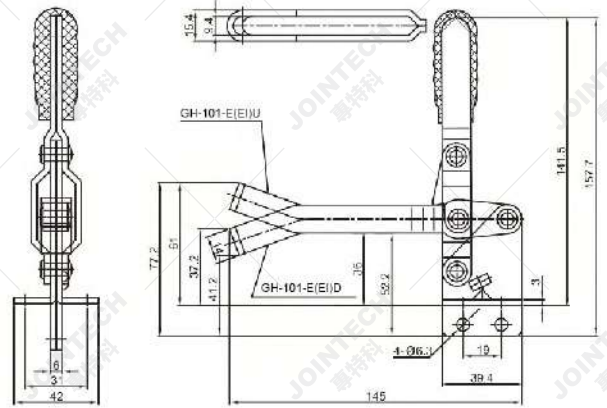
**GH-101-ED AND GH-101-EID**

WEIGHT(自重) : 374g  
 HOLDING CAPACITY(夾持力) : 150kg  
 SPINDLE SUPPLIED(壓頭螺絲型號) : GH-FC-56212  
 BAR OPENS(壓把開啟角度) : 100°  
 HANDLE OPENS(手柄開啟角度) : 60°



GH-101-EID

GH-101-EU



UNIT:m.m.

MODEL	DESCRIPTION
GH-101-EU	CURVE UP U-BAR,FLANGED BASE,STRAIGHT HANDLE
GH-101-ED	CURVE DOWN U-BAR,FLANGED BASE,STRAIGHT HANDLE
GH-101-EIU	CURVE UP U-BAR,STRAIGHT BASE,STRAIGHT HANDLE
GH-101-EID	CURVE DOWN U-BAR,STRAIGHT BASE,STRAIGHT HANDLE

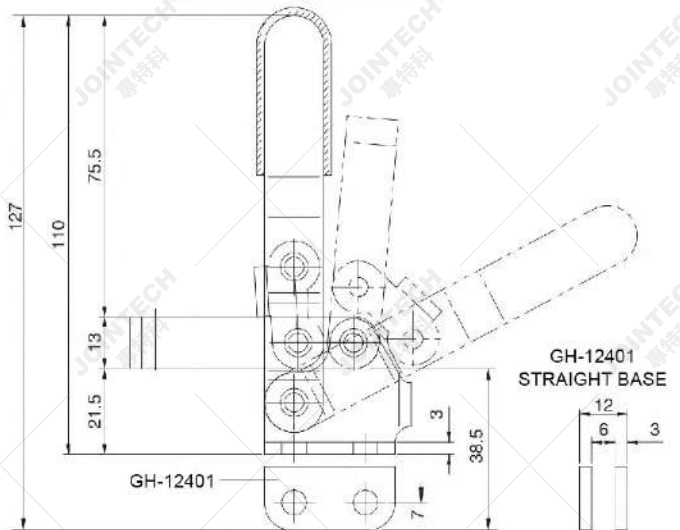
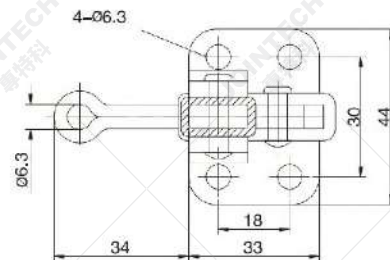
**GH-11401 AND GH-12401**

WEIGHT(自重) : 200g  
 HOLDING CAPACITY(夾持力) : 100kg  
 SPINDLE SUPPLIED(壓頭螺絲型號) : GH-SA-064010  
 BAR OPENS(壓把開啟角度) : 95°  
 HANDLE OPENS(手柄開啟角度) : 65°



GH-11401

GH-12401



UNIT:m.m.

MODEL	DESCRIPTION
GH-11401	FLANGED BASE 法蘭底座
GH-12401	STRAIGHT BASE 直底座



**GH-11421 AND GH-12421**

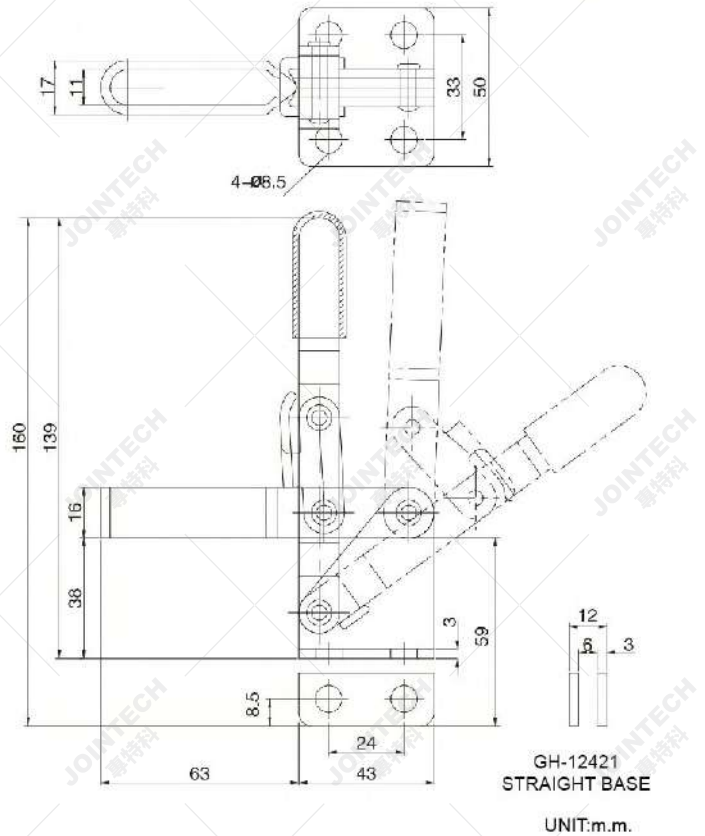
WEIGHT(自重) : 370g  
 HOLDING CAPACITY(夾持力) : 200kg  
 SPINDLE SUPPLIED(壓頭螺絲型號) : GH-SA-085012  
 BAR OPENS(壓把開啟角度) : 94°  
 HANDLE OPENS(手柄開啟角度) : 45°



GH-11421

GH-12421

MODEL	DESCRIPTION
GH-11421	FLANGED BASE 法蘭底座
GH-12421	STRAIGHT BASE 直底座
GH-11421-SS	STAINLESS STEEL 不銹鋼



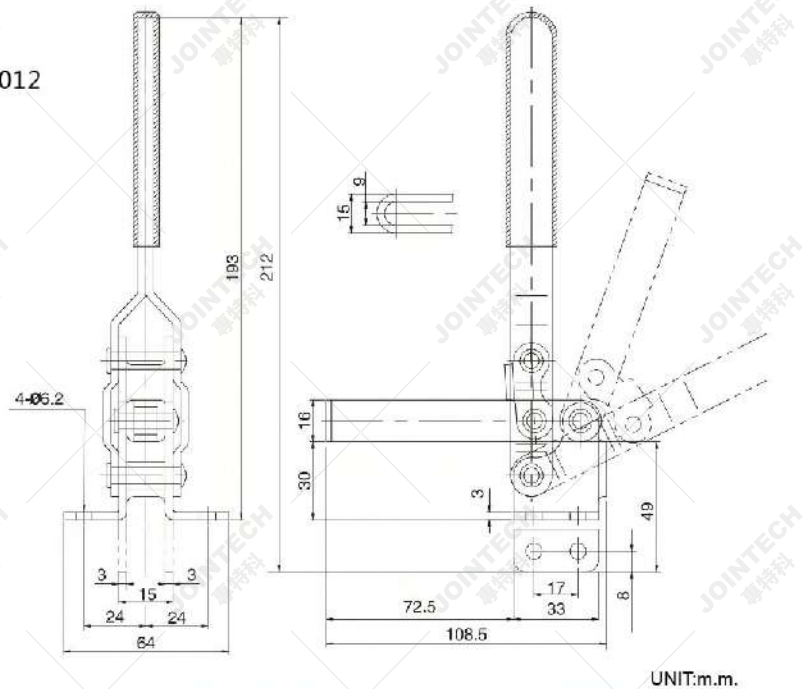
**GH-11412 AND GH-12412**

WEIGHT(自重) : 370g  
 HOLDING CAPACITY(夾持力) : 200kg  
 SPINDLE SUPPLIED(壓頭螺絲型號) : GH-SA-085012  
 BAR OPENS(壓把開啟角度) : 110°  
 HANDLE OPENS(手柄開啟角度) : 64°



GH-11412

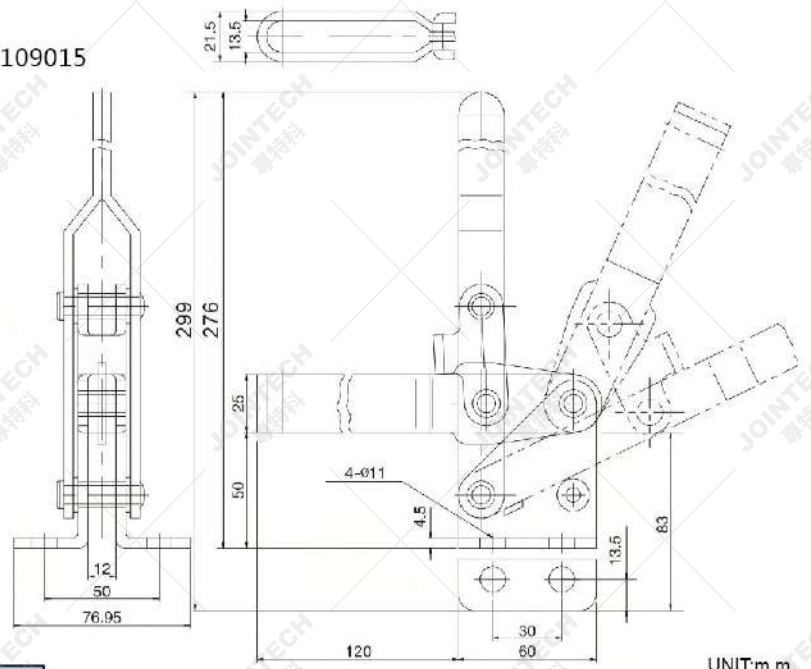
GH-12412



MODEL	DESCRIPTION
GH-11412	FLANGED BASE 法蘭底座
GH-12412	STRAIGHT BASE 直底座

**GH-14412 AND GH-13412**

WEIGHT(自重) : 1140g  
 HOLDING CAPACITY(夾持力) : 300kg  
 SPINDLE SUPPLIED(壓頭螺絲型號) : GH-SA-109015  
 BAR OPENS(壓把開啟角度) : 140°  
 HANDLE OPENS(手柄開啟角度) : 67°

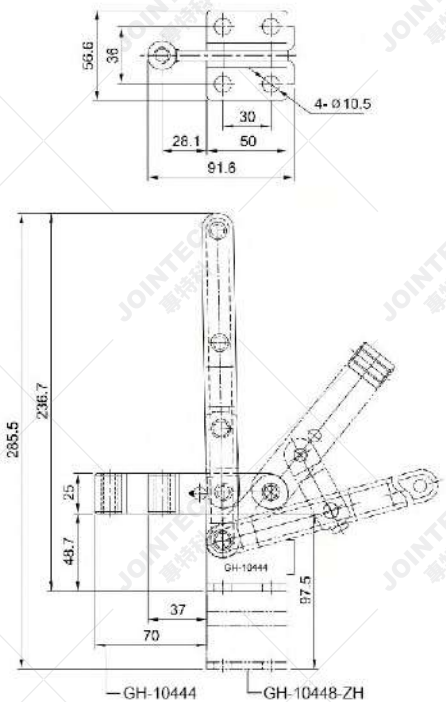


UNIT:m.m.

MODEL	DESCRIPTION
GH-14412	FLANGED BASE 法蘭底座
GH-13412	STRAIGHT BASE 直底座

**GH-10444 THRU GH-10448-ZH**

HOLDING CAPACITY(夾持力) : 400kg  
 SPINDLE SUPPLIED(壓頭螺絲型號) : GH-SA-38200  
 BAR OPENS(壓把開啟角度) : 129°  
 HANDLE OPENS(手柄開啟角度) : 75.5°



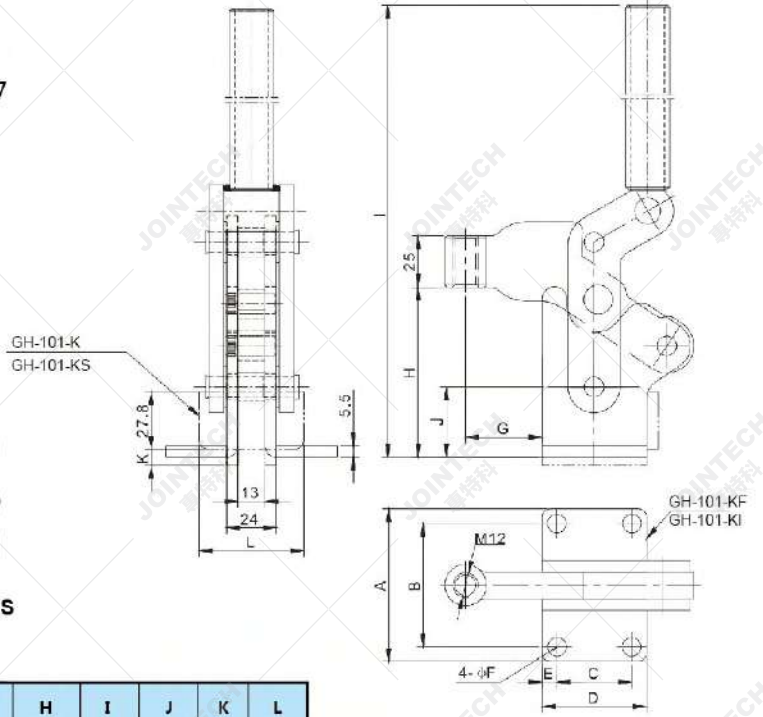
UNIT:m.m.

MODEL	DESCRIPTION	WEIGHT(g)
GH-10444	LONG BAR,FLANGED BASE	870
GH-10448-Z	SHORT BAR,FLANGED BASE	840
GH-10448-ZH	SHORT BAR,HIGH FLANGED BASE	1000



**GH-101-K**

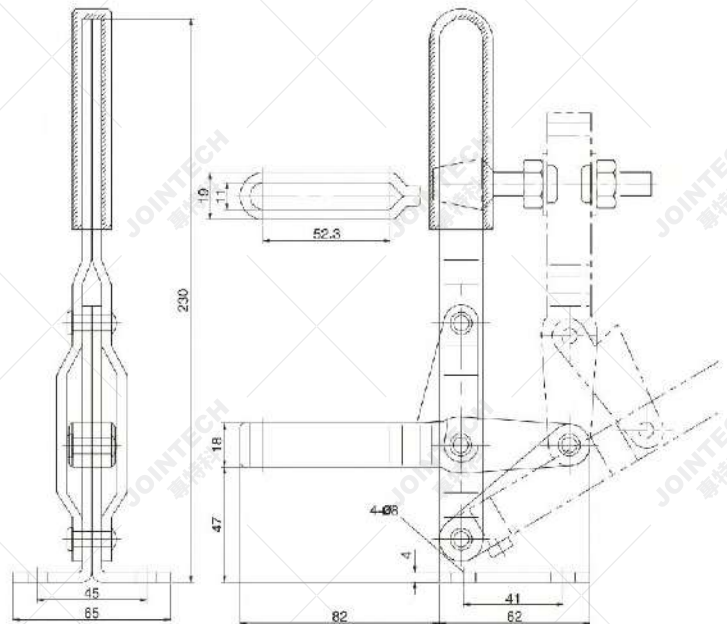
HOLDING CAPACITY(夾持力) : 500kg  
 SPINDLE SUPPLIED(壓頭螺絲型號) : GH-SA-128017  
 Pu发泡 (汽车椅墊) 材專用底座可特制  
 BAR OPENS(壓把開啟角度) : 142°  
 HANDLE OPENS(手柄開啟角度) : 95°



MODEL	WEIGHT(g)	A	B	C	D	E	ØF	G	H	I	J	K	L
GH-101-K	1730	-	-	-	50.5	-	-	36.1	82.8	288	40.3	-	50.5
GH-101-KI	1680	68	44	44	68	14.5	9	28.6	64.5	270	22	-	-
GH-101-KF	1730	84	69.6	36	50.5	7.25	9	36.1	80.5	285	38	-	-
GH-101-KS	1730	-	-	-	50.5	-	-	36.1	80.5	285	38	8	50.5

**GH-101-EL**

WEIGHT(自重) : 838g  
 HOLDING CAPACITY(夾持力) : 360kg  
 SPINDLE SUPPLIED(壓頭螺絲型號) : GH-FC-38312  
 BAR OPENS(壓把開啟角度) : 90°  
 HANDLE OPENS(手柄開啟角度) : 60°

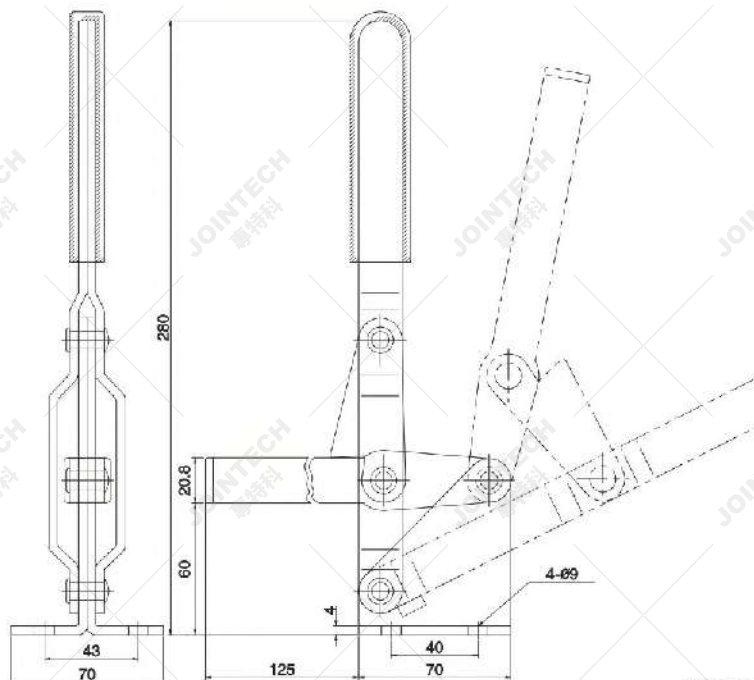


**GH-101-H**

WEIGHT(自重) : 1220g  
 HOLDING CAPACITY(夾持力) : 450kg  
 SPINDLE SUPPLIED  
 (壓頭螺絲型號) : GH-SA-12300  
 BAR OPENS(壓把開啟角度) : 101°  
 HANDLE OPENS(手柄開啟角度) : 63°



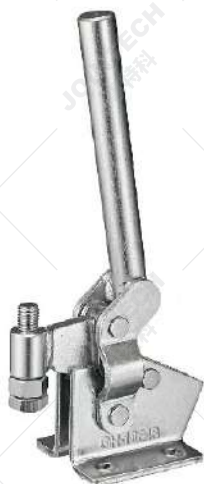
GH-101-H



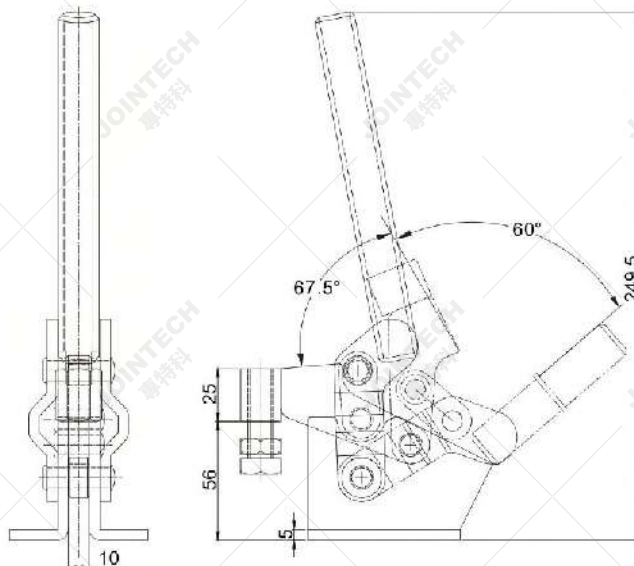
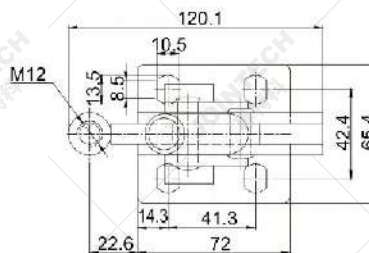
UNIT:m.m.

**GH-10648**

WEIGHT(自重) : 1310g  
 HOLDING CAPACITY(夾持力) : 450kg  
 SPINDLE SUPPLIED(壓頭螺絲型號) : GH-SA-125017  
 BAR OPENS(壓把開啟角度) : 67.5°  
 HANDLE OPENS(手柄開啟角度) : 60°



GH-10648



UNIT:m.m.



**GH-10751-B THRU GH-13502-B**

MODEL	HOLDING CAPACITY(kg)	WEIGHT(g)	SPINDLE SUPPLIED	BAR OPENS	HANDLE OPENS
GH-10751-B	75	50	GH-SA-055008	130°-195°	90°-125°
GH-10752-B	75	50	GH-SA-055008	130°-195°	90°-125°
GH-11501-B	150	230	GH-SA-065010	95°-185°	75°-110°
GH-11501-C	150	230	GH-SA-065010	95°-185°	75°-110°
GH-11502-B	150	230	GH-SA-065010	95°-185°	75°-110°
GH-11502-C	150	230	GH-SA-065010	95°-185°	75°-110°
GH-12501-B	250	418	GH-SA-085012	90°-150°	70°-100°
GH-12501-C	250	418	GH-SA-085012	90°-150°	70°-100°
GH-12502-B	250	418	GH-SA-085012	90°-150°	70°-100°
GH-12502-C	250	418	GH-SA-085012	90°-150°	70°-100°
GH-13501-B	350	800	GH-SA-108015	90°-180°	70°-100°
GH-13502-B	350	800	GH-SA-108015	90°-180°	70°-100°

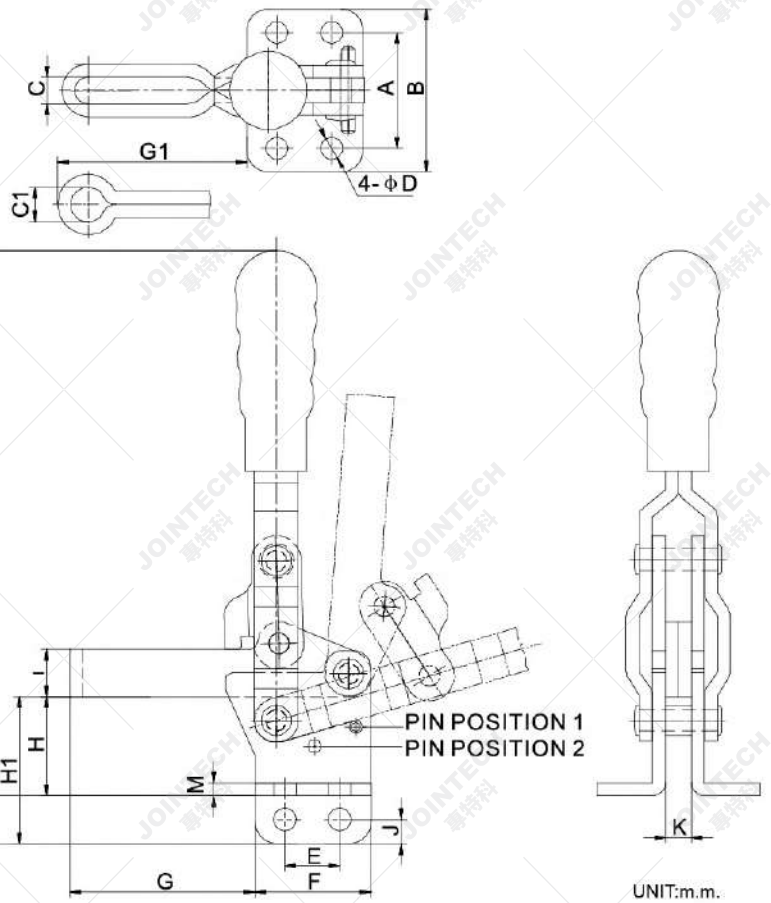
GH-10751-B



GH-10752-B



GH-11502-B



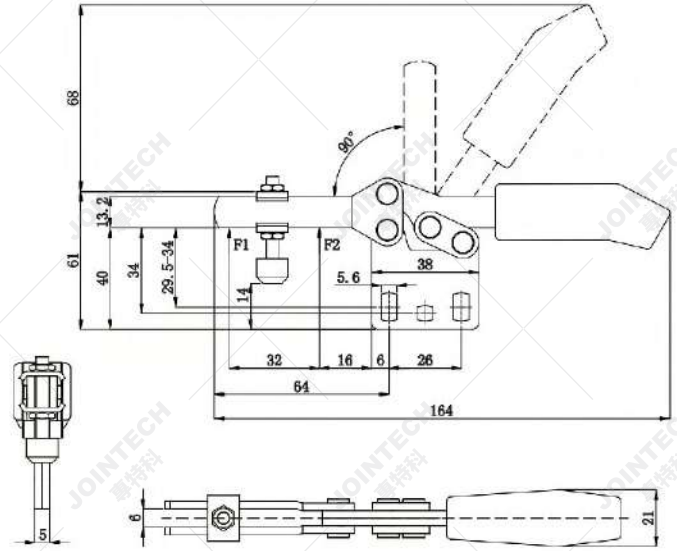
MODEL	A	B	C Min.	C1	ØD	E	F	G	G1	H	H1	I	J	K	L Max.	L1 Max.	M
GH-10751-B	24	34	5.5	-	4.4	16	26	31.4	-	-	27	9	5	4	-	102	2
GH-10752-B	24	34	5.5	-	4.4	16	26	31.4	-	15	-	9	-	4	90	-	2
GH-11501-B	26.8	37.8	6.2	-	6.1	12.7	27	43	-	-	33.5	11	5.4	6	-	137	3
GH-11501-C	26.8	37.8	-	6.2	5.1	12.7	27	-	33	-	33.5	11	5.4	6	-	137	3
GH-11502-B	26.8	37.8	6.2	-	6.1	12.7	27	43	-	22.3	-	11	5.4	6	125	-	3
GH-11502-C	26.8	37.8	-	6.2	5.1	12.7	27	-	33	22.3	-	11	5.4	6	125	-	3
GH-12501-B	32	47	8.9	-	7.1	19	35	75	-	-	46	17.5	7	6	-	195	3
GH-12501-C	32	47	-	8.4	7.1	19	35	-	53	-	46	17.5	7	6	-	195	3
GH-12502-B	32	47	8.9	-	7.1	19	35	75	-	31	-	17.5	7	6	179	-	3
GH-12502-C	32	47	-	8.4	7.1	19	35	-	53	32	-	17.5	7	6	179	-	3
GH-13501-B	45	64	10.6	-	8.3	32	50	94.5	-	-	63	22	10	8	-	242	4
GH-13502-B	45	64	10.6	-	8.3	32	50	94.5	-	43	-	22	9.5	8	222	-	4

**GH-293229**

WEIGHT(自重) : 185g  
 HOLDING CAPACITY(夾持力) : 105kg  
 SPINDLE SUPPLIED(壓頭螺絲型號) : GH-FC-065110  
 BAR OPENS(壓把開啟角度) : 90°  
 HANDLE OPENS(手柄開啟角度) : 68°



GH-293229



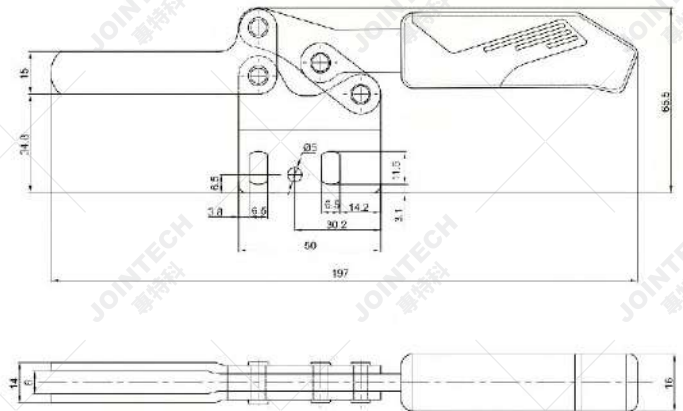
UNIT:m.m.

**GH-290696**

WEIGHT(自重) : 210g  
 HOLDING CAPACITY(夾持力) : 185kg  
 SPINDLE SUPPLIED(壓頭螺絲型號) : GH-FC-56212  
 BAR OPENS(壓把開啟角度) : 90°  
 HANDLE OPENS(手柄開啟角度) : 68°



GH-290696



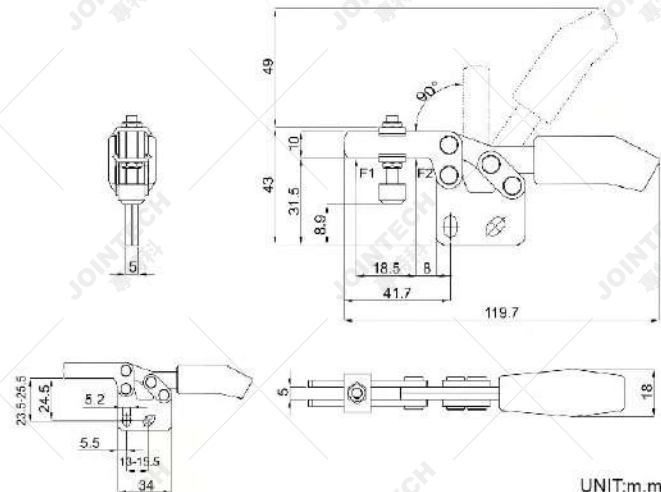
UNIT:m.m.

**GH-290308**

WEIGHT(自重) : 105g  
 HOLDING CAPACITY(夾持力) : 82kg  
 SPINDLE SUPPLIED(壓頭螺絲型號) : GH-FC-053808  
 BAR OPENS(壓把開啟角度) : 90°  
 HANDLE OPENS(手柄開啟角度) : 68°



GH-290308



UNIT:m.m.

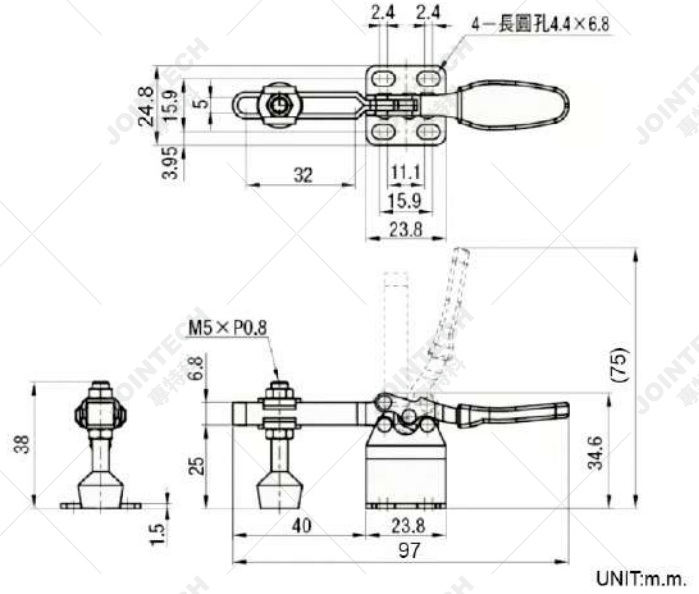


**GH-201-H**

WEIGHT(自重) : 140g  
 HOLDING CAPACITY(夾持力) : 40kg  
 SPINDLE SUPPLIED(壓頭螺絲型號) : GH-FC-054008  
 BAR OPENS(壓把開啟角度) : 90°  
 HANDLE OPENS(手柄開啟角度) : 75°



GH-201-H



**GH-201 THRU GH-201-R**

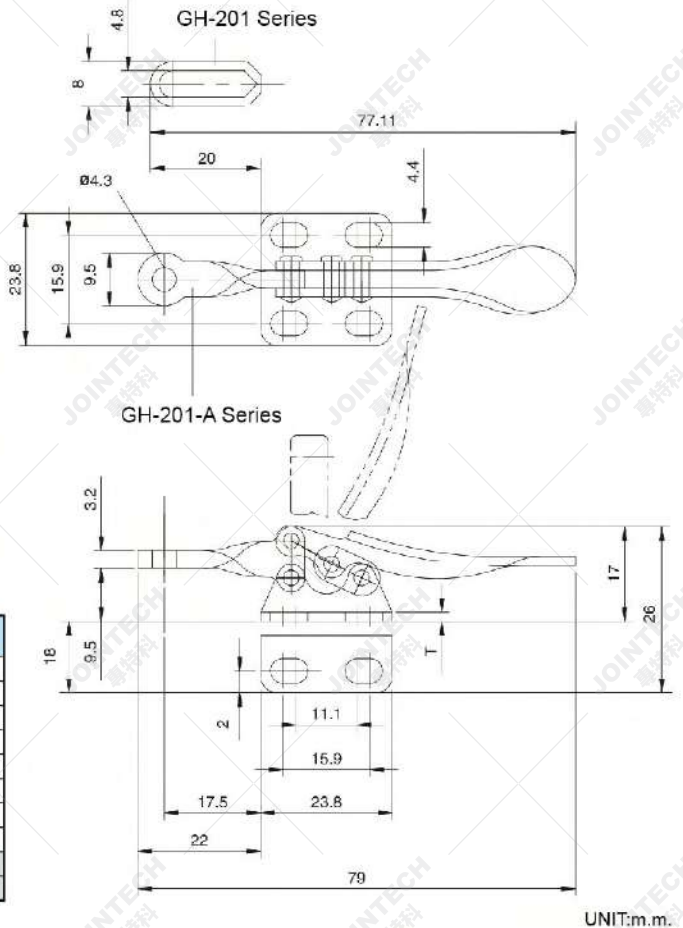
HOLDING CAPACITY(夾持力) : 27kg  
 SPINDLE SUPPLIED  
 (壓頭螺絲型號) : GH-FC-042807  
 BAR OPENS(壓把開啟角度) : 90°  
 HANDLE OPENS(手柄開啟角度) : 80°



GH-201



GH-201-A



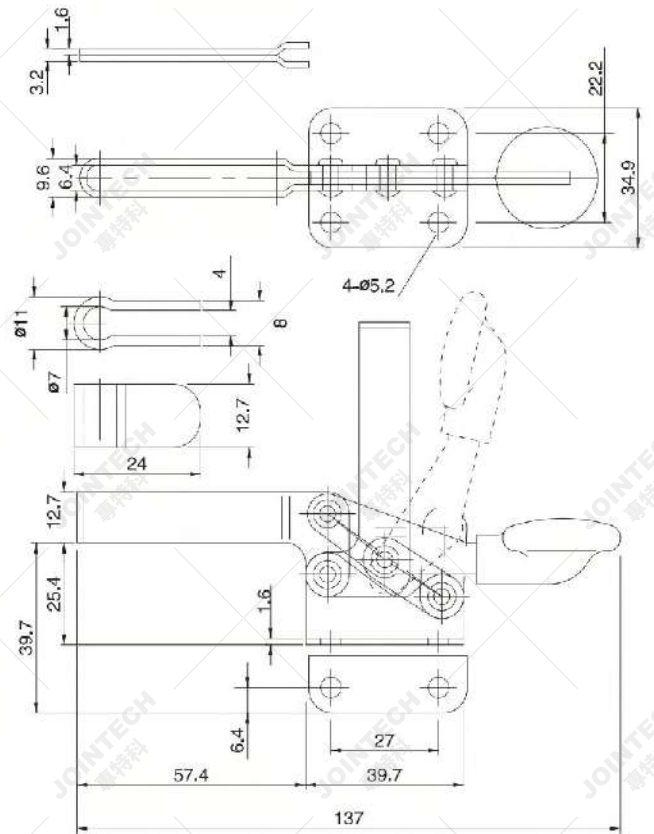
MODEL	DESCRIPTION	WEIGHT(g)	T
GH-201-A	SOLID BAR, FLANGED BASE	30	1.6
GH-201-AI	SOLID BAR, STRAIGHT BASE	30	1.6
GH-201-AL	SOLID BAR, LEFT HAND FLANGED BASE	30	3.2
GH-201-AR	SOLID BAR, RIGHT HAND FLANGED BASE	30	3.2
GH-201	U-BAR, FLANGED BASE	35	1.6
GH-201-I	U-BAR, STRAIGHT BASE	35	1.6
GH-201-L	U-BAR, LEFT HAND FLANGED BASE	35	3.2
GH-201-R	U-BAR, RIGHT HAND FLANGED BASE	35	3.2
GH-201-SS	STAINLESS STEEL		
GH-201-ASS	STAINLESS STEEL		

**GH-22100 THRU GH-22115**

WEIGHT(自重) : 110g  
 HOLDING CAPACITY(夾持力) : 68kg  
 SPINDLE SUPPLIED(壓頭螺絲型號) : GH-FC-14134  
 BAR OPENS(壓把開啟角度) : 90°  
 HANDLE OPENS(手柄開啟角度) : 90°



MODEL	DESCRIPTION	
GH-22100	U-BAR, FLANGED BASE	U型壓把, 法蘭底座
GH-22105	U-BAR, STRAIGHT BASE	U型壓把, 直底座
GH-22110	SOLID BAR, FLANGED BASE	實心壓把, 法蘭底座
GH-22115	SOLID BAR, STRAIGHT BASE	實心壓把, 直底座



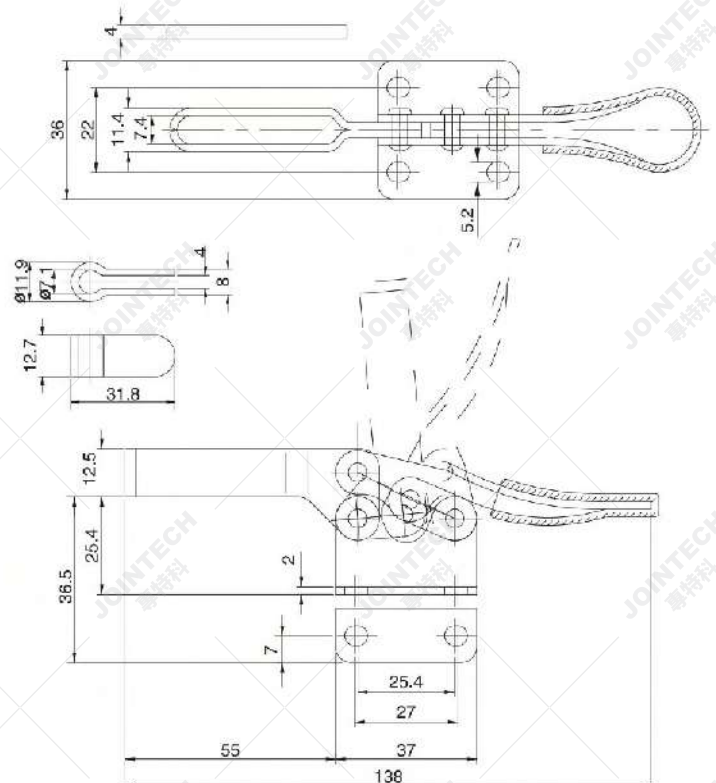
UNIT:m.m.

**GH-201-B THRU GH-201-BSI**

WEIGHT(自重) : 130g  
 HOLDING CAPACITY(夾持力) : 90kg  
 SPINDLE SUPPLIED(壓頭螺絲型號) : GH-FC-14134  
 BAR OPENS(壓把開啟角度) : 85°  
 HANDLE OPENS(手柄開啟角度) : 60°



MODEL	DESCRIPTION	
GH-201-B	U-BAR, FLANGED BASE	U型壓把, 法蘭底座
GH-201-BI	U-BAR, STRAIGHT BASE	U型壓把, 直底座
GH-201-BS	SOLID BAR, FLANGED BASE	實心壓把, 法蘭底座
GH-201-BSI	SOLID BAR, STRAIGHT BASE	實心壓把, 直底座
GH-201-BSS	STAINLESS STEEL	不銹鋼



UNIT:m.m.



**GH-201-BHB THRU GH-201-BSM**

HOLDING CAPACITY(夾持力) : 90kg  
 SPINDLE SUPPLIED(壓頭螺絲型號) : GH-FC-14134  
 BAR OPENS(壓把開啟角度) : 85°  
 HANDLE OPENS(手柄開啟角度) : 60°



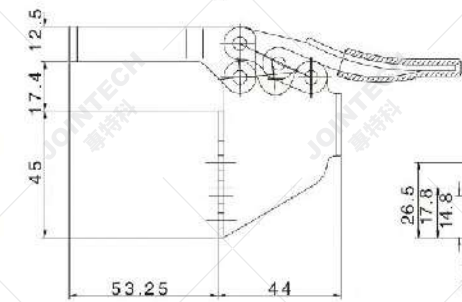
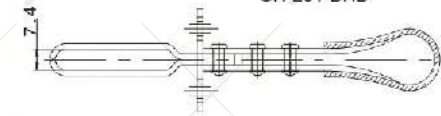
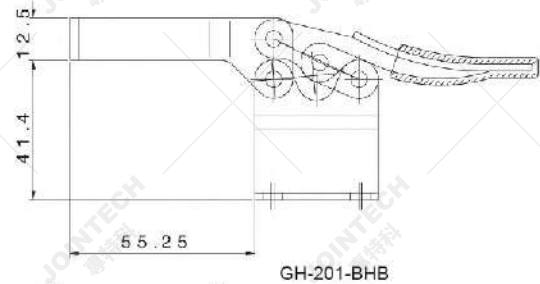
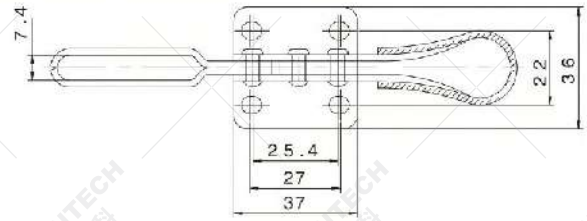
GH-201-BHB



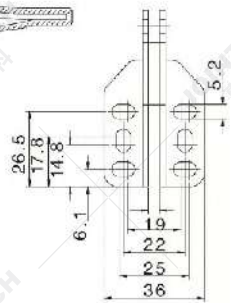
GH-201-BSM

UNIT:m.m.

MODEL	WEIGHT(g)	HOLDING CAPACITY(kg)	SPINDLE SUPPLIED	BAR OPENS	HANDLE OPENS
GH-201-BHB	146	90	GH-FC-14134	85°	60°
GH-201-BSM	163				



GH-201-BSM



**GH-225-D THRU GH-225-DI**

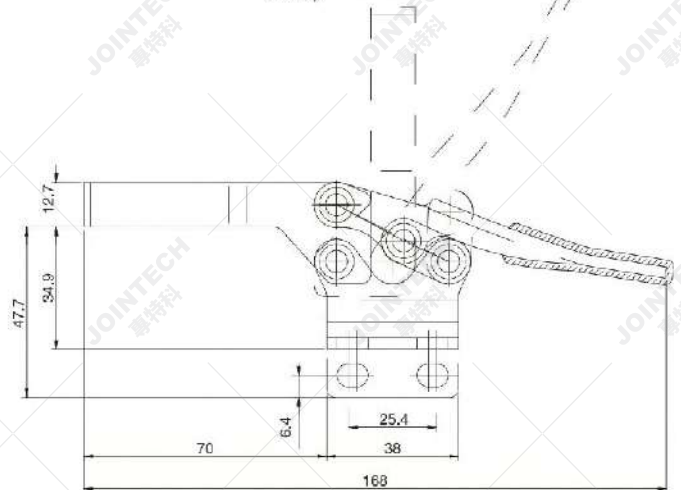
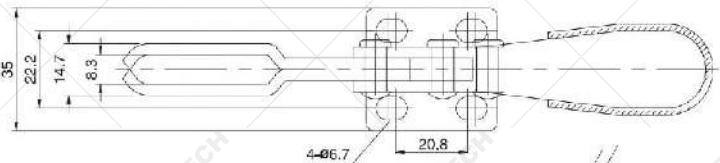
WEIGHT(自重) : 265g  
 HOLDING CAPACITY(夾持力) : 227kg  
 SPINDLE SUPPLIED(壓頭螺絲型號) : GH-FC-56212  
 BAR OPENS(壓把開啟角度) : 90°  
 HANDLE OPENS(手柄開啟角度) : 65°



GH-225-D



GH-225-DI



UNIT:m.m.

MODEL	DESCRIPTION
GH-225-D	U-BAR, FLANGED BASE U型壓把, 法蘭底座
GH-225-DI	U-BAR, STRAIGHT BASE U型壓把, 直底座
GH-225-DSS	STAINLESS STEEL 不銹鋼

**GH-225-DHB AND GH-225-DSM**



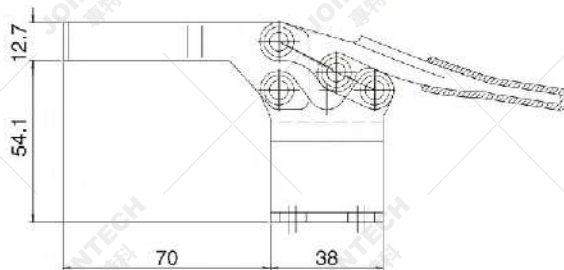
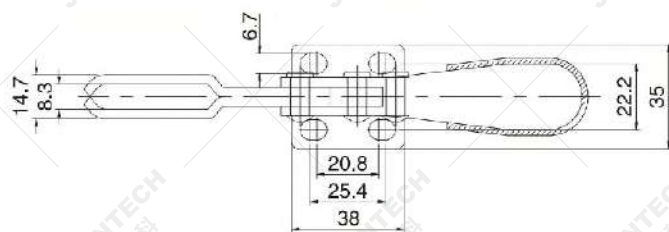
GH-225-DHB



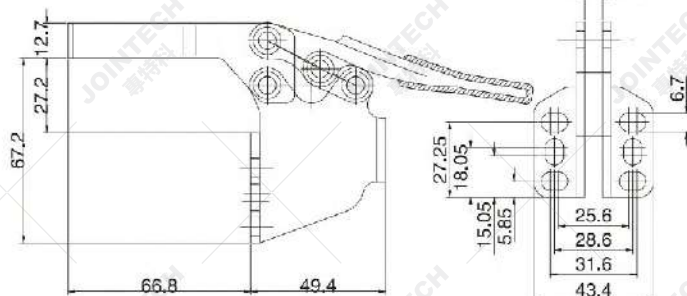
GH-225-DSM

UNIT:m.m.

MODEL	WEIGHT(g)	HOLDING CAPACITY(kg)	SPINDLE SUPPLIED	BAR OPENS	HANDLE OPENS
GH-225-DHB	286	227	GH-FC-56212	90°	65°
GH-225-DSM	315				



GH-225-DHB



GH-225-DSM

**GH-20820**

WEIGHT(自重) : 400g

HOLDING CAPACITY(夾持力) : 100kg

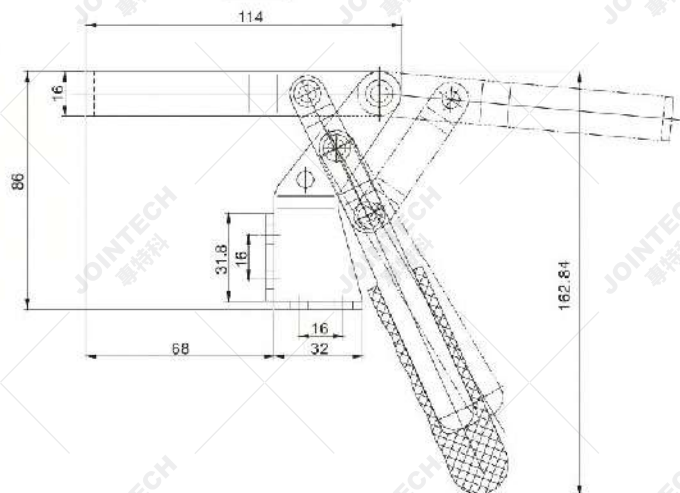
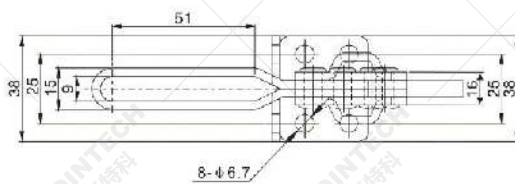
SPINDLE SUPPLIED(壓頭螺絲型號) : GH-FC-56212

BAR OPENS(壓把開啟角度) : 185°

HANDLE OPENS(手柄開啟角度) : 60°



GH-20820





**GH-22165 THRU GH-22200**

HOLDING CAPACITY(夾持力) : 250kg  
 SPINDLE SUPPLIED(壓頭螺絲型號) : GH-FC-56212  
 BAR OPENS(壓把開啟角度) : 96°  
 HANDLE OPENS(手柄開啟角度) : 88°



GH-22165

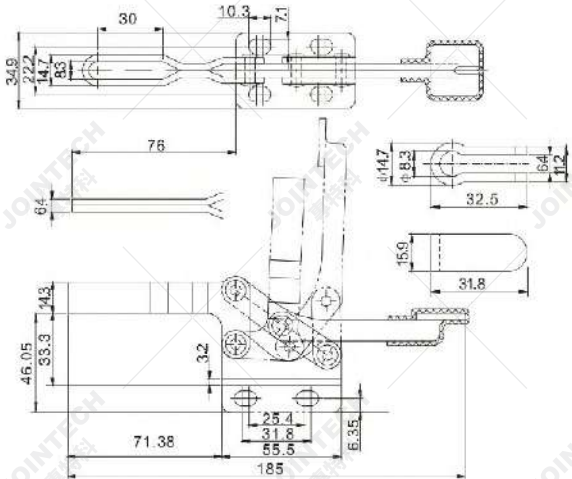


GH-22185

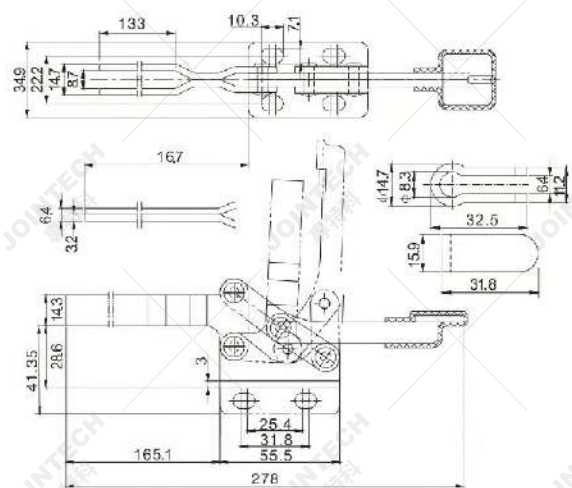
UNIT:m.m.

MODEL	DESCRIPTION	WEIGHT(g)
GH-22165	SHORT U-BAR,FLANGED BASE	285
GH-22170	SHORT U-BAR,STRAIGHT BASE	285
GH-22175	SHORT SOLID BAR,FLANGED BASE	300
GH-22180	SHORT SOLID BAR,STRAIGHT BASE	300
GH-22185	LONG OPEN BAR,FLANGED BASE	360
GH-22190	LONG OPEN BAR,STRAIGHT BASE	360
GH-22195	LONG SOLID BAR,FLANGED BASE	365
GH-22200	LONG SOLID BAR,STRAIGHT BASE	365

SHORTU BAR GH-22165~GH-22180



LONG OPEN BAR GH-22185~GH-22200



**GH-22235 THRU GH-22250**

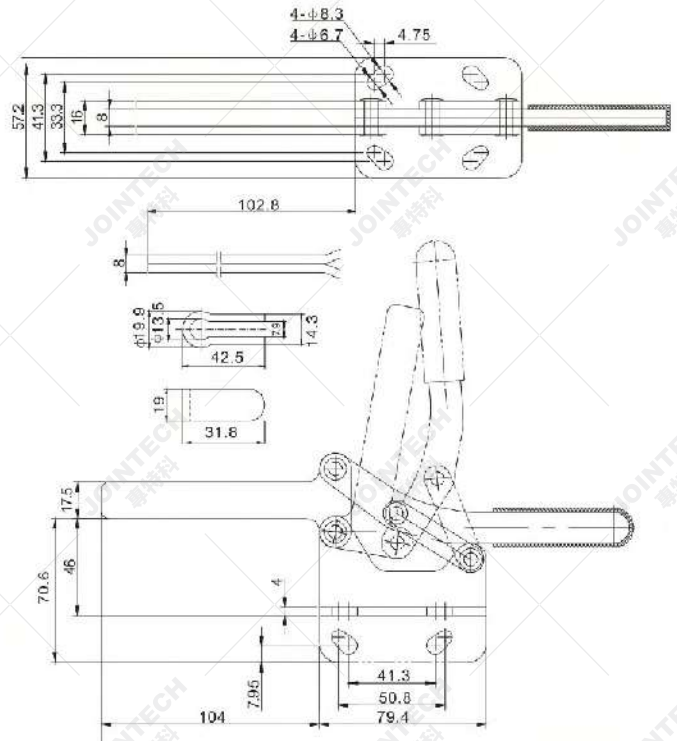
HOLDING CAPACITY(夾持力) : 273kg  
 SPINDLE SUPPLIED(壓頭螺絲型號) : GH-FC-56212  
 BAR OPENS(壓把開啟角度) : 111°  
 HANDLE OPENS(手柄開啟角度) : 94°



GH-22235

UNIT:m.m.

MODEL	DESCRIPTION	WEIGHT(g)
GH-22235	OPEN BAR,FLANGED BASE	640
GH-22240	OPEN BAR,STRAIGHT BASE	640
GH-22245	SOLID BAR,FLANGED BASE	655
GH-22250	SOLID BAR,STRAIGHT BASE	655

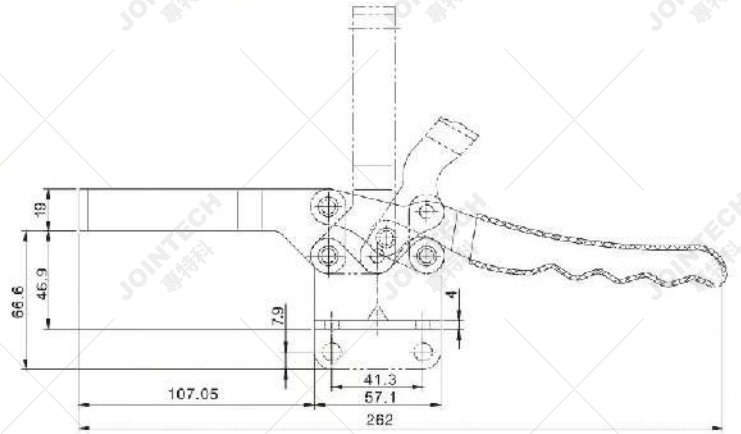
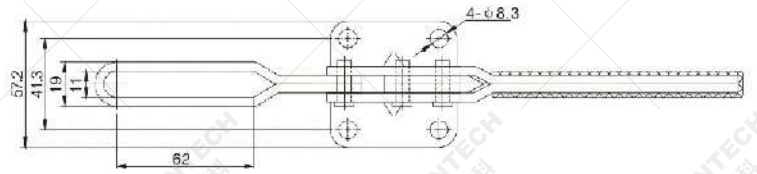


**GH-20235 THRU GH-20236**

WEIGHT(自重) : 640g  
 HOLDING CAPACITY(夾持力) : 340kg  
 SPINDLE SUPPLIED  
 (壓頭螺絲型號) : GH-FC-38312  
 BAR OPENS(壓把開啟角度) : 85°  
 HANDLE OPENS(手柄開啟角度) : 50°



GH-20235



UNIT:m.m.

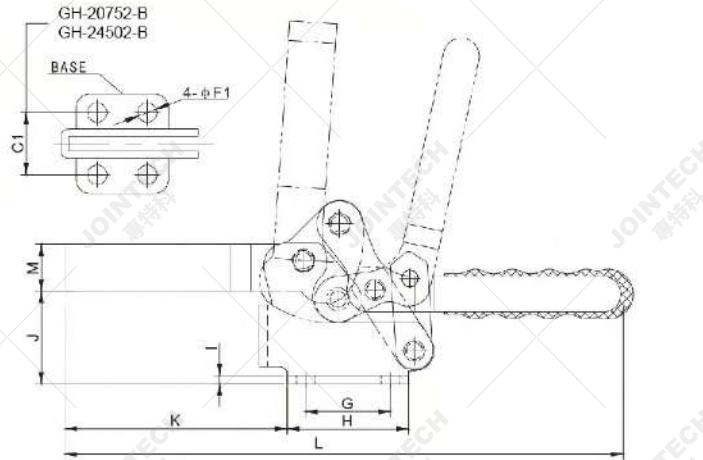
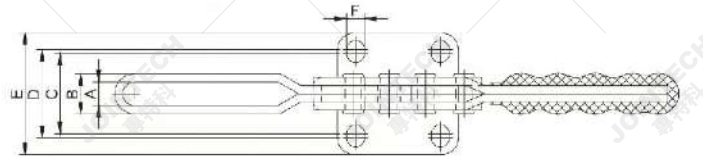
MODEL	DESCRIPTION	
GH-20235	U-BAR,FLANGED BASE	U型壓把, 法蘭底座
GH-20236	U-BAR,STRAIGHT BASE	U型壓把, 直底座
GH-20235-SS	STAINLESS STEEL	不銹鋼

**GH-20752-B THRU GH-24502-B**

GH-24502-B has  
 Hardened bushings  
 Removable ground pins.  
 在轉動關鍵部位裝有耐磨套



GH-20752-B



UNIT:m.m.

MODEL	WEIGHT(g)	HOLDING CAPACITY(kg)	SPINDLE SUPPLIED	BAR OPENS	HANDLE OPENS	A	B	C	C1	D	E	F	φF1	G	H	I	J	K	L	M
GH-20752-B	100	75	GH-SA-053008	94°	76°	5.8	9.8	-	16.8	-	27	-	5.2	13.5	25	2	19	37	116	9.5
GH-21502-B	230	150	GH-SA-064010			6.2	11.2	22	-	28	40	5.5	-	26	38	2.5	25.05	61.87	171	14
GH-22502-B	430	250	GH-SA-085012			9	15	26	-	31	47	6.6	-	26	42	3	34	79	219	17.5
GH-23502-B	500	350	GH-SA-107515			11.4	19.4	39	-	42.9	60	8.7	-	41.2	59	4	45	108	274	23
GH-24502-B	1400	450	GH-SA-121017			13.2	23.2	-	41.3	-	67	-	8.7	41.2	66	5	59	128	303	26
GH-20752-BSS	STAINLESS STEEL																			
GH-21502-BSS	STAINLESS STEEL																			

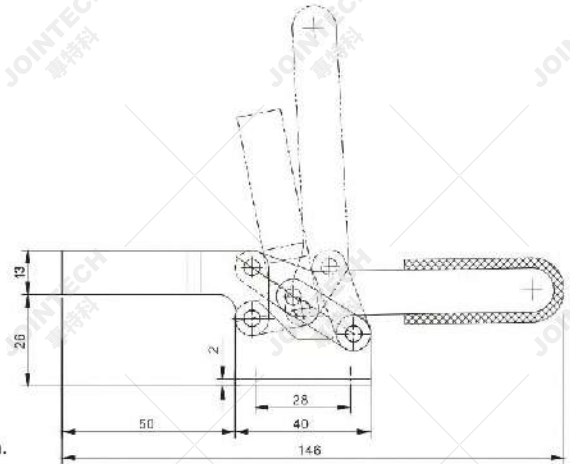
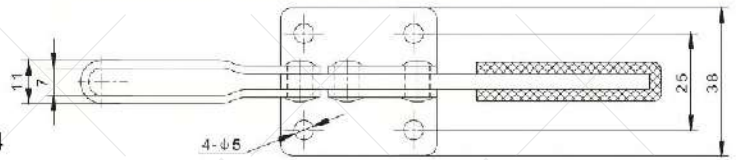


**GH-201-C**

WEIGHT(自重) : 140g  
 HOLDING CAPACITY(夾持力) : 100kg  
 SPINDLE SUPPLIED(壓頭螺絲型號) : GH-FC-14134  
 BAR OPENS(壓把開啟角度) : 79°  
 HANDLE OPENS(手柄開啟角度) : 87°



GH-201-C



UNIT:m.m.

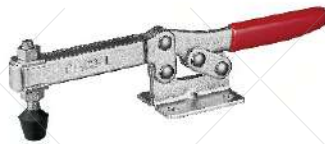
**GH-203-F GH-202-F**

**GH-203-FL GH-202-FL GH-203-P**

HOLDING CAPACITY(夾持力) : 227kg  
 SPINDLE SUPPLIED(壓頭螺絲型號) : GH-FC-56212  
 BAR OPENS(壓把開啟角度) : 85°  
 HANDLE OPENS(手柄開啟角度) : 58°



GH-203-F



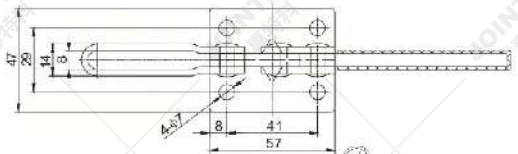
GH-203-FL



GH-202-F

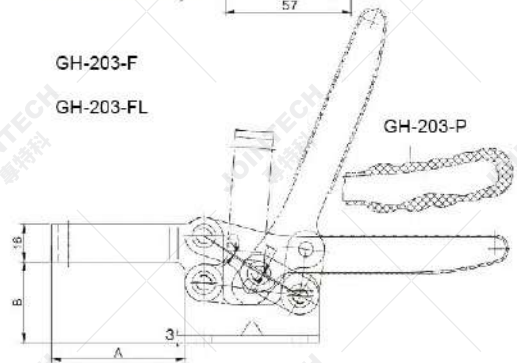


GH-202-FL

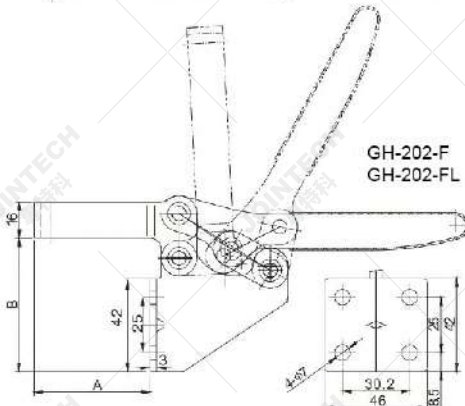
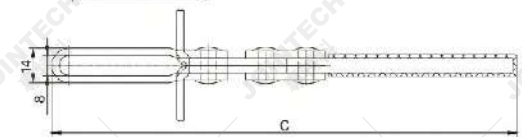


GH-203-F

GH-203-FL



GH-203-P



GH-202-F  
GH-202-FL

UNIT:m.m.

MODEL	DESCRIPTION	WEIGHT(g)	A	B	C
GH-203-F	U-BAR, FLANGED BASE	340	57	34	198
GH-203-FL	LONG U-BAR, FLANGED BASE	380	94	34	230
GH-202-F	U-BAR, SIDE MOUNTED	385	52	60	198
GH-202-FL	LONG U-BAR, SIDE MOUNTED	425	89	60	230
GH-203-P	U-BAR, FLANGED BASE, LONG HANDLE	383	57	39.3	233
GH-203-FSS	STAINLESS STEEL				

**GH-204-G**

**GH-204-GL**

Heavy Duty

Can be Mounted to any Fixture Using the 4 Hole Bolt Pattern or to Any T-Slot Table with T-Slot Bolt.

安裝方便, 适用于螺栓, T型槽和T型螺栓安裝等。

Supplied with bushings

Hardened ground pivots

在产品转动关键部位装有耐磨套

WEIGHT(自重) : 1220g

HOLDING CAPACITY(夾持力) : 636kg

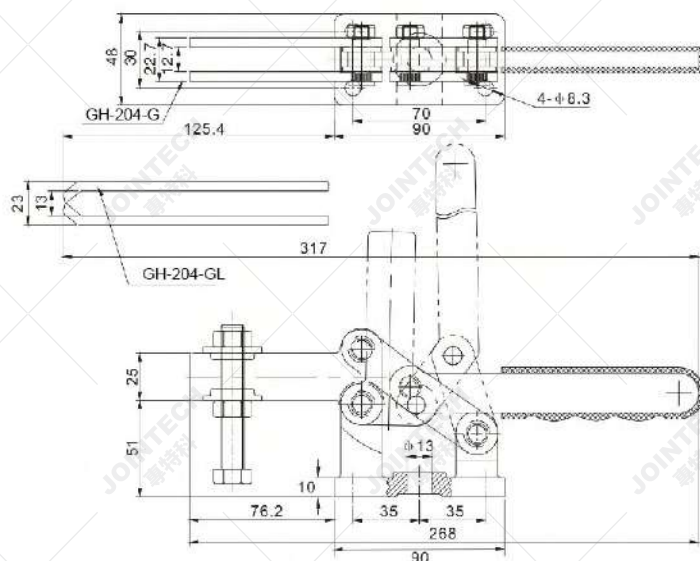
SPINDLE SUPPLIED(壓頭螺絲型號) : GH-SA-12300

BAR OPENS(壓把開啟角度) : 91°

HANDLE OPENS(手柄開啟角度) : 94°



GH-204-G



UNIT:m.m.

MODEL	DESCRIPTION
GH-204-G	OPEN BAR, DUCTILE IRON BASE
GH-204-GL	LONG OPEN BAR, DUCTILE IRON BASE

**GH-204-GB**

**GH-204-GBL**

**GH-204-GBLH**

HOLDING CAPACITY(夾持力) : 630kg

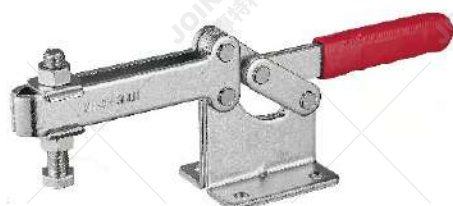
SPINDLE SUPPLIED(壓頭螺絲型號) : GH-SA-12300

BAR OPENS(壓把開啟角度) : 90°

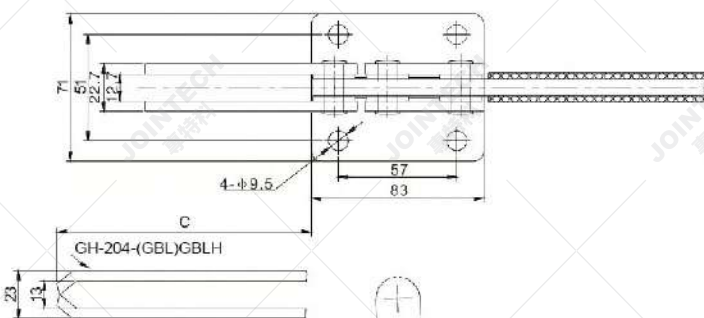
HANDLE OPENS(手柄開啟角度) : 94°



GH-204-GB



GH-204-GBLH



UNIT:m.m.

MODEL	DESCRIPTION	WEIGHT(g)	A	B	C
GH-204-GB	SHORT BAR, LOW BASE	1180	45	269	80
GH-204-GBL	LONG BAR, LOW BASE	1260	45	316	127
GH-204-GBLH	LONG BAR, HIGH BASE	1465	71	316	127



**GH-22005 THRU GH-22040**

WEIGHT(自重) : 25g  
 HOLDING CAPACITY(夾持力) : 22.7kg  
 SPINDLE SUPPLIED  
 (壓頭螺絲型號) : GH-SA-08034(NYLON)  
 BAR OPENS(壓把開啟角度) : 90°  
 HANDLE OPENS(手柄開啟角度) : 60°

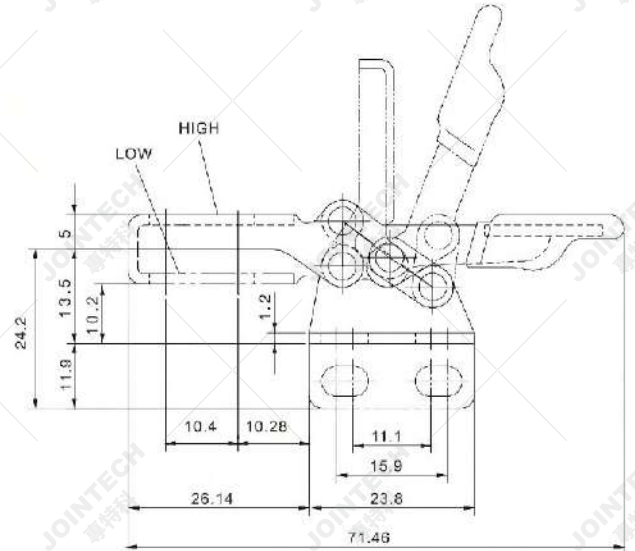
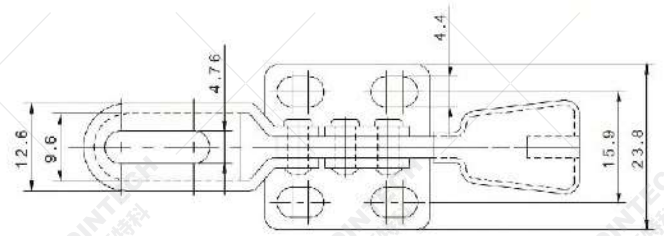


GH-22005



GH-22025

MODEL	DESCRIPTION
GH-22005	HIGH BAR, FLANGED BASE
GH-22010	HIGH BAR, STRAIGHT BASE
GH-22015	HIGH BAR, RIGHT HAND FLANGED BASE
GH-22020	HIGH BAR, LEFT HAND STRAIGHT BASE
GH-22025	LOW BAR, FLANGED BASE
GH-22030	LOW BAR, STRAIGHT BASE
GH-22035	LOW BAR, RIGHT HAND FLANGED BASE
GH-22040	LOW BAR, LEFT HAND STRAIGHT BASE



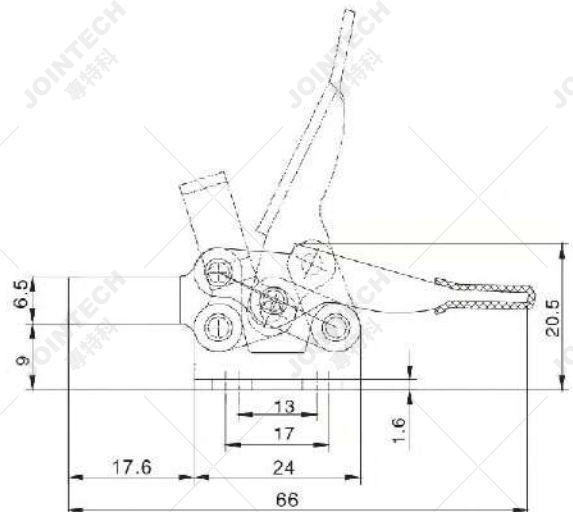
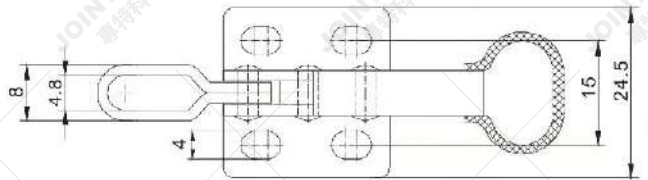
UNIT:m.m.

**GH-20400**

WEIGHT(自重) : 25.5g  
 HOLDING CAPACITY(夾持力) : 20kg  
 SPINDLE SUPPLIED  
 (壓頭螺絲型號) : GH-SA-042507  
 BAR OPENS(壓把開啟角度) : 55°  
 HANDLE OPENS(手柄開啟角度) : 60°



GH-20400



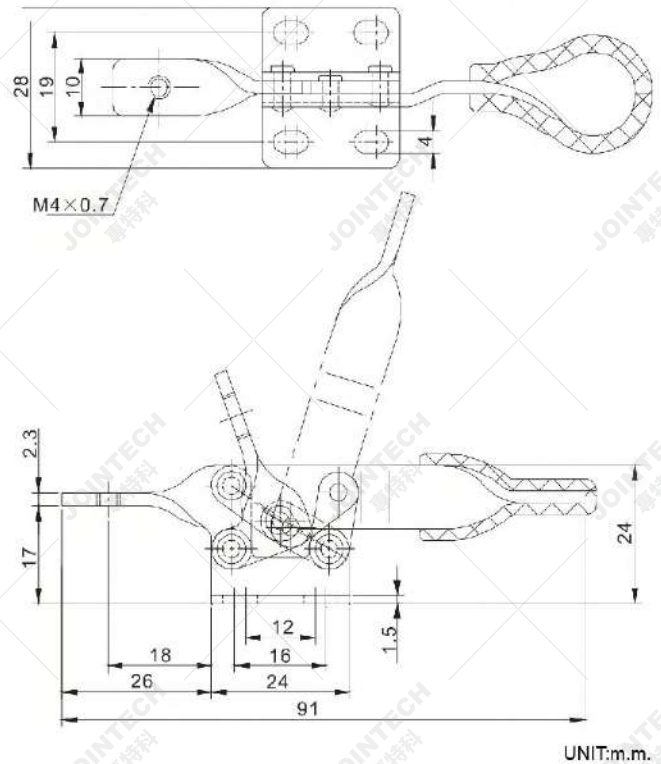
UNIT:m.m.

**GH-20100**

WEIGHT(自重) : 35g  
 HOLDING CAPACITY(夾持力) : 20kg  
 SPINDLE SUPPLIED  
 (壓頭螺絲型號) : GH-SA-042507  
 BAR OPENS(壓把開啟角度) : 75°  
 HANDLE OPENS(手柄開啟角度) : 75°



GH-20100



**GH-2300 AND GH-2301-B**

**GH-2500 AND GH-2501-B**

**GH-2600 AND GH-2601-B**

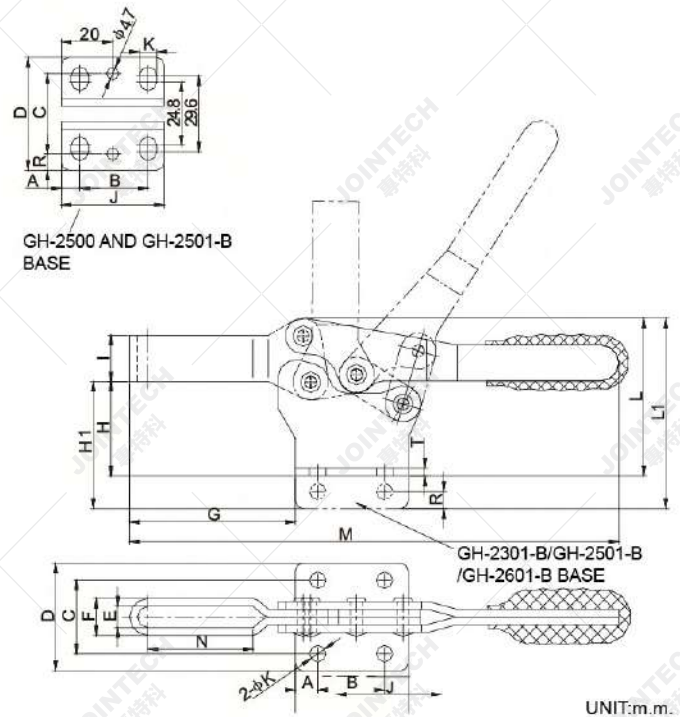
BAR OPENS(壓把開啟角度) : 90°  
 HANDLE OPENS(手柄開啟角度) : 58°



GH-2300



GH-2301-B



MODEL	WEIGHT(g)	HOLDING CAPACITY(kg)	SPINDLE SUPPLIED	A	B	C	D	E	F	G	H	H1	I	J	ØK	L	L1	M	N	R	T
GH-2300	94	68	GH-FC-10138	7.3	13.4	16.8	25.7	5	9	39	20.7	-	11	28	4.5	37.35	-	119	23.8	-	2
GH-2301-B	94	68	GH-FC-10138	7.3	13.4	-	-	5	9	39	-	28	11	28	4.5	-	45.15	119	23.8	4.5	2
GH-2500	318	227	GH-FC-56300	7.2	26.2	31.3	44	9.4	15.4	71	34.6	-	14.2	39.6	6.8	62.6	-	191	46.5	-	3
GH-2501-B	318	227	GH-FC-56300	7.2	26.2	-	-	9.4	15.4	71	-	48.8	14.2	39.6	6.8	-	76.8	191	46.5	7.2	3
GH-2600	352	340	GH-FC-56300	8.8	26	28.6	42	9.4	15.4	64	36	-	18	44	6.4	61.5	-	194	40	-	3
GH-2601-B	352	340	GH-FC-56300	8.8	26	-	-	9.4	15.4	64	-	50	18	44	6.4	-	74.7	194	40	6.7	3



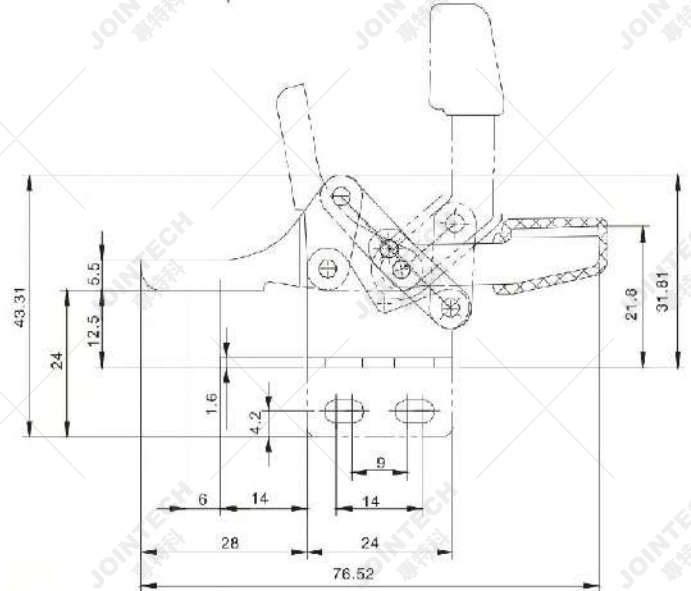
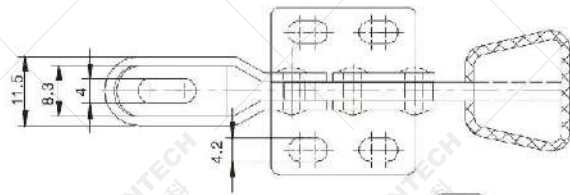
**GH-20800 AND GH-21800**

WEIGHT(自重) : 40g  
 HOLDING CAPACITY(夾持力) : 30kg  
 SPINDLE SUPPLIED  
 (壓頭螺絲型號) : GH-FC-042507  
 BAR OPENS(壓把開啟角度) : 80°  
 HANDLE OPENS(手柄開啟角度) : 88°



GH-20800

MODEL	DESCRIPTION
GH-20800	U-BAR, FLANGED BASE U型壓把, 法蘭底座
GH-21800	U-BAR, STRAIGHT BASE U型壓把, 直底座
GH-20800-SS	STAINLESS STEEL 不銹鋼



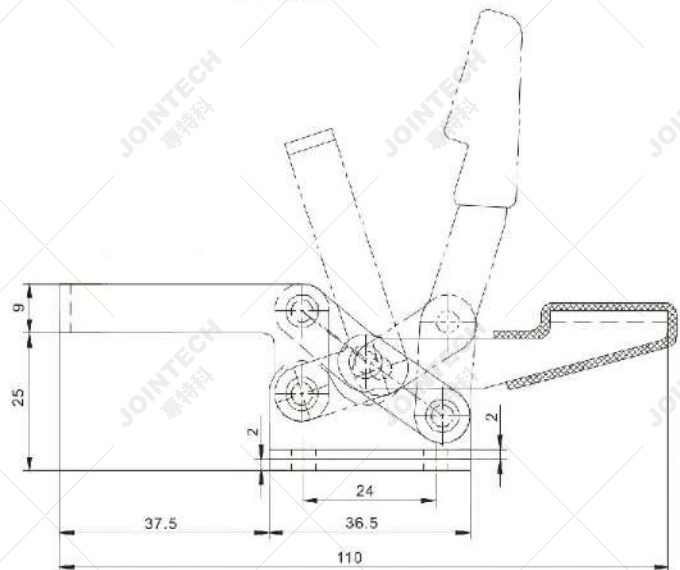
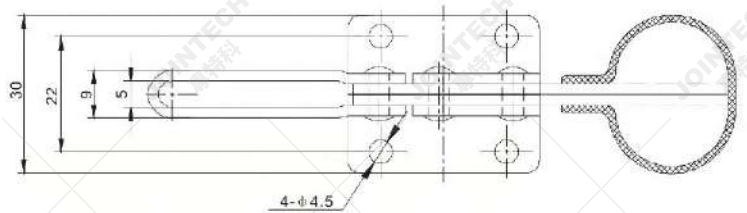
UNIT:m.m.

**GH-20300**

WEIGHT(自重) : 100g  
 HOLDING CAPACITY(夾持力) : 30kg  
 SPINDLE SUPPLIED  
 (壓頭螺絲型號) : GH-SA-044007  
 BAR OPENS(壓把開啟角度) : 65°  
 HANDLE OPENS(手柄開啟角度) : 55°



GH-20300



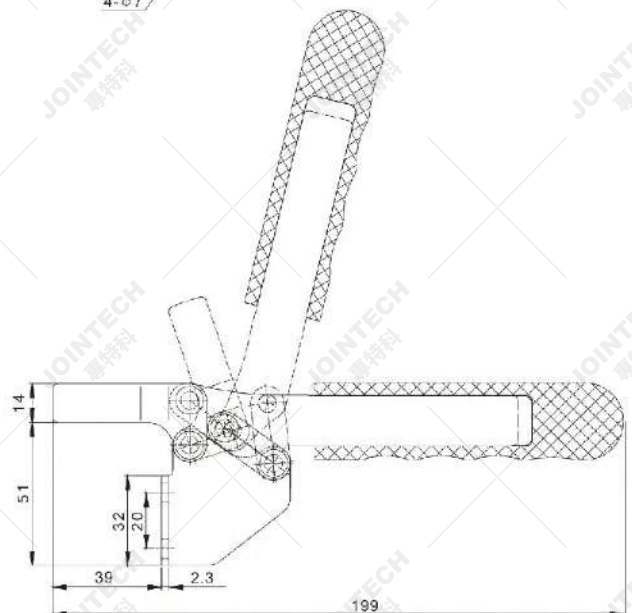
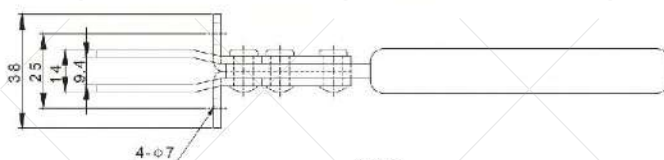
UNIT:m.m.

**GH-21383**

WEIGHT(自重) : 210g  
 HOLDING CAPACITY(夾持力) : 250kg  
 SPINDLE SUPPLIED  
 (壓頭螺絲型號) : GH-SA-065010  
 BAR OPENS(壓把開啟角度) : 72°  
 HANDLE OPENS(手柄開啟角度) : 72°



GH-21383



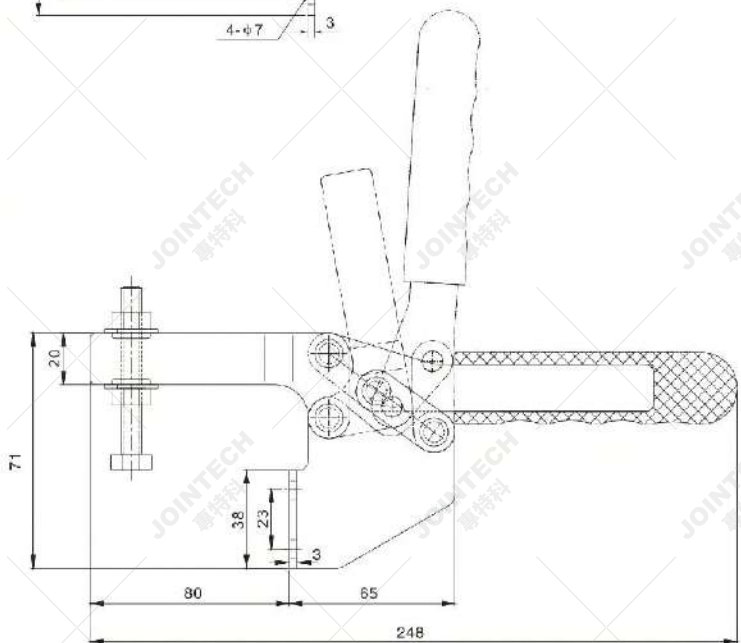
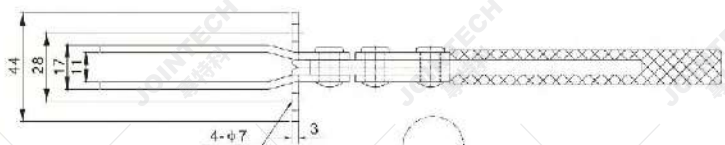
UNIT:m.m.

**GH-25383**

WEIGHT(自重) : 435g  
 HOLDING CAPACITY(夾持力) : 280kg  
 SPINDLE SUPPLIED  
 (壓頭螺絲型號) : GH-SA-086512  
 BAR OPENS(壓把開啟角度) : 80°  
 HANDLE OPENS(手柄開啟角度) : 80°



GH-25383



UNIT:m.m.



**GH-21382 AND GH-22382**

WEIGHT(自重) : 190g  
 HOLDING CAPACITY(夾持力) : 250kg  
 SPINDLE SUPPLIED  
 (壓頭螺絲型號) : GH-SA-065010  
 BAR OPENS(壓把開啟角度) : 75°  
 HANDLE OPENS(手柄開啟角度) : 70°

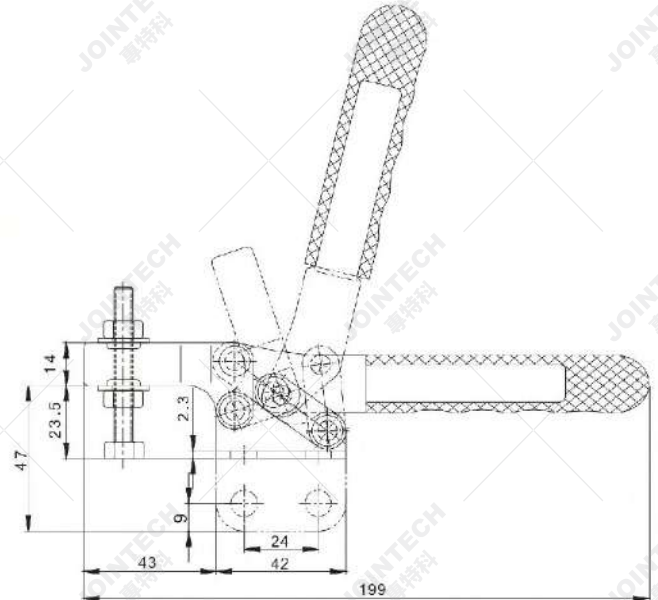
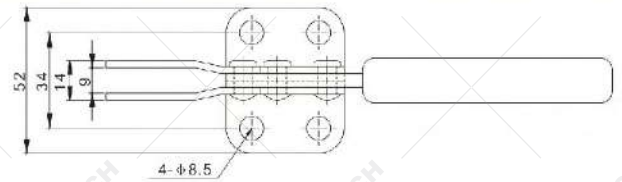


GH-21382



GH-22382

MODEL	DESCRIPTION
GH-21382	FLANGED BASE 法蘭底座
GH-22382	STRAIGHT BASE 直底座
GH-21382-SS	STAINLESS STEEL 不銹鋼



UNIT:m.m.

**GH-25382 AND GH-26382**

WEIGHT(自重) : 380g  
 HOLDING CAPACITY(夾持力) : 280kg  
 SPINDLE SUPPLIED  
 (壓頭螺絲型號) : GH-SA-086512  
 BAR OPENS(壓把開啟角度) : 80°  
 HANDLE OPENS(手柄開啟角度) : 80°

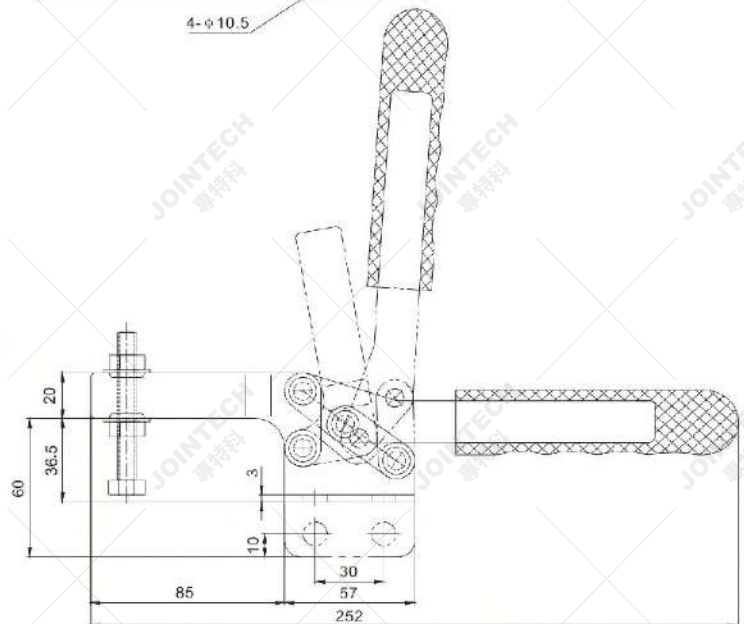
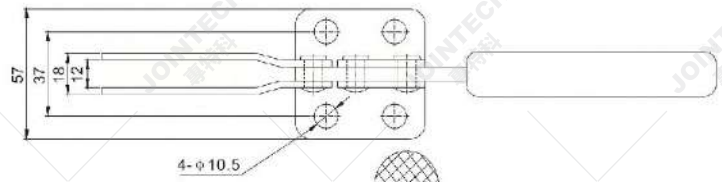


GH-25382



GH-26382

MODEL	DESCRIPTION
GH-25382	FLANGED BASE 法蘭底座
GH-26382	STRAIGHT BASE 直底座



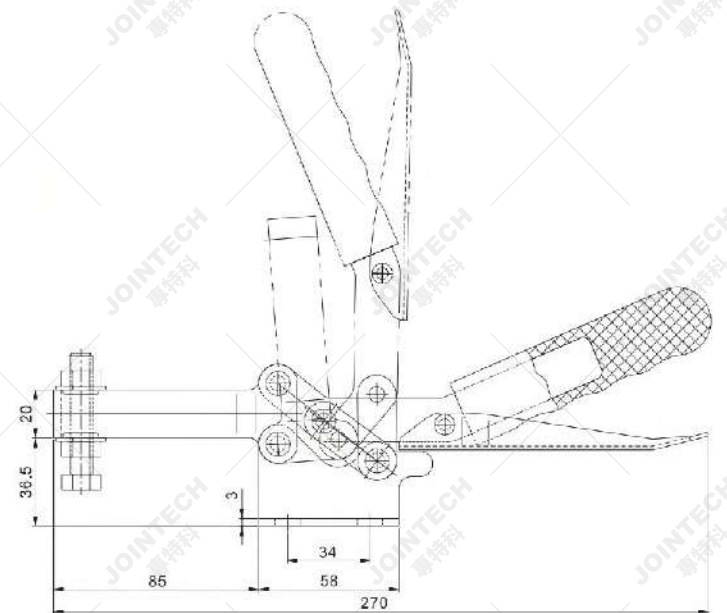
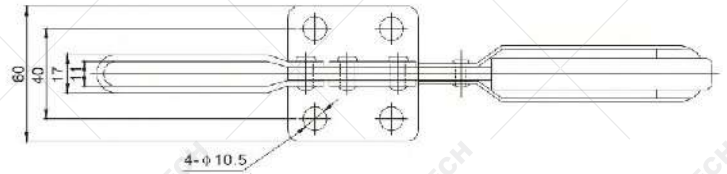
UNIT:m.m.

**GH-21385**

WEIGHT(自重) : 490g  
 HOLDING CAPACITY(夾持力) : 300kg  
 SPINDLE SUPPLIED  
 (壓頭螺絲型號) : GH-SA-38200  
 BAR OPENS(壓把開啟角度) : 80°  
 HANDLE OPENS(手柄開啟角度) : 85°



GH-21385



UNIT:m.m.

**GH-21384 AND GH-22384**

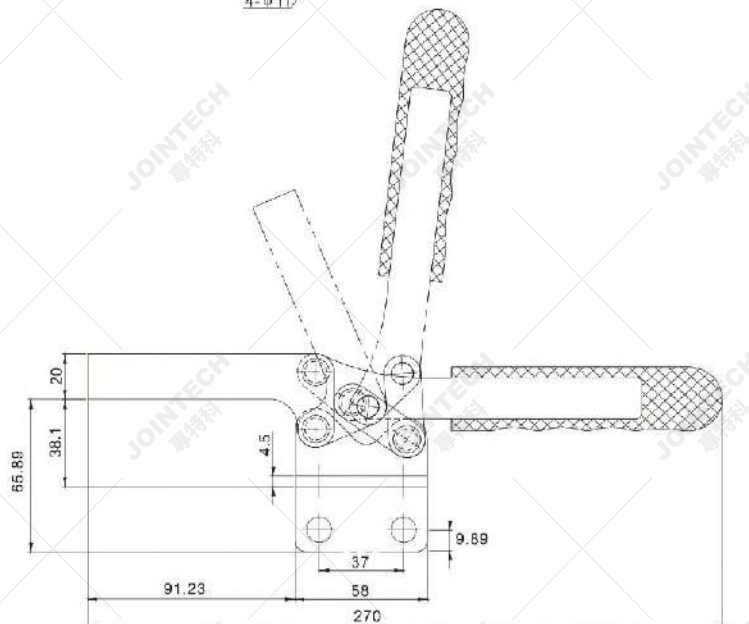
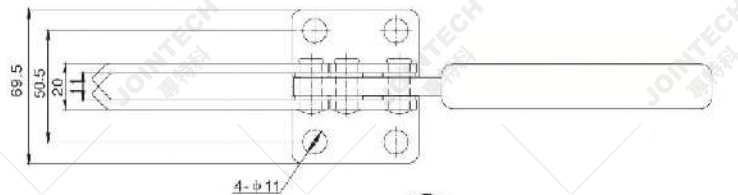
WEIGHT(自重) : 635g  
 HOLDING CAPACITY(夾持力) : 500kg  
 SPINDLE SUPPLIED  
 (壓頭螺絲型號) : GH-SA-106515  
 BAR OPENS(壓把開啟角度) : 65°  
 HANDLE OPENS(手柄開啟角度) : 85°



GH-21384



GH-22384



UNIT:m.m.

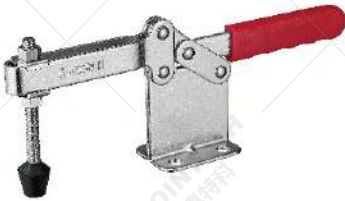
MODEL	DESCRIPTION
GH-21384	FLANGED BASE 法蘭底座
GH-22384	STRAIGHT BASE 直底座



GH-200-W THRU GH-220-WLH



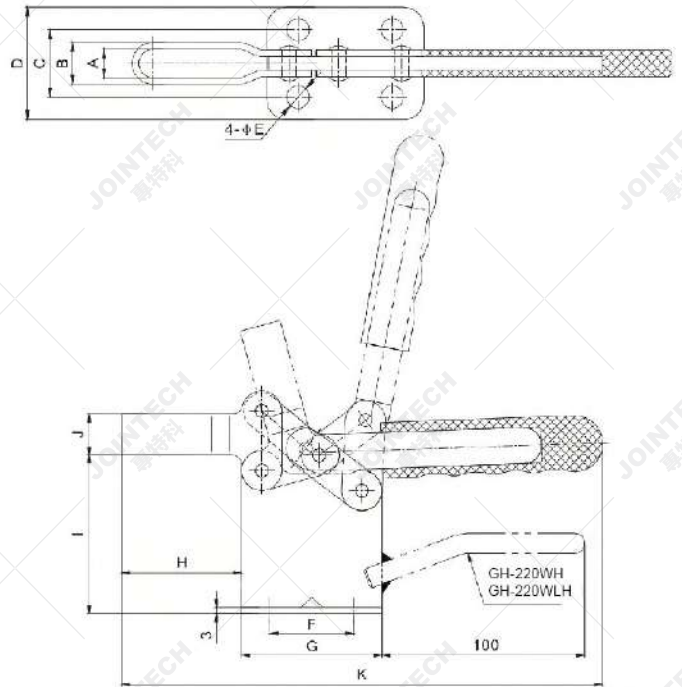
GH-200-W



GH-200-WLH



GH-220-WLH

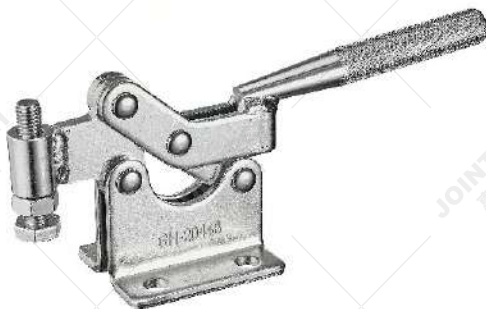


UNIT:m.m.

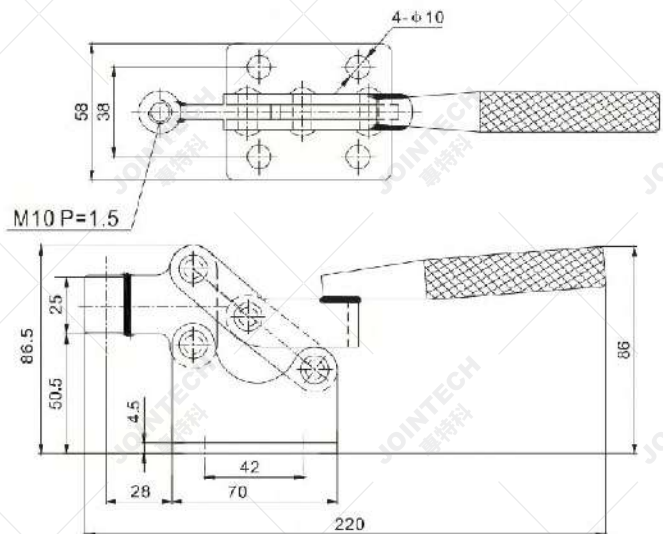
MODEL	WEIGHT(g)	HOLDING CAPACITY(kg)	SPINDLE SUPPLIED	BAR OPENS	HANDLE OPENS	A	B	C	D	ØE	F	G	H	I	J	K	L
GH-200-W	600	400	GH-FC-38312	84°	85°	12.6	19	30	50	10	42	70	60	54	20.5	240	3.2
GH-200-WL	640					12.6	19	30	50	10	42	70	110	54	20.5	290	3.2
GH-200-WH	700					12.6	19	30	50	10	42	70	60	79	20.5	240	3.2
GH-200-WLH	745		GH-FC-38412			12.6	19	30	50	10	42	70	110	79	20.5	290	3.2
GH-220-WH	790					12.6	19	30	50	10	42	70	60	79	20.5	240	3.2
GH-220-WLH	830					12.6	19	30	50	10	42	70	110	79	20.5	290	3.2

GH-20448

WEIGHT(自重) : 760g  
 HOLDING CAPACITY(夾持力) : 350kg  
 SPINDLE SUPPLIED  
 (壓頭螺絲型號) : GH-SA-105015  
 BAR OPENS(壓把開啟角度) : 90°  
 HANDLE OPENS(手柄開啟角度) : 83°



GH-20448



UNIT:m.m.

**GH-301-AM AND GH-301-BM**

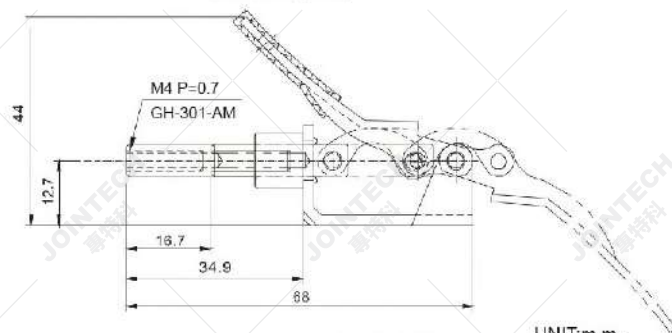
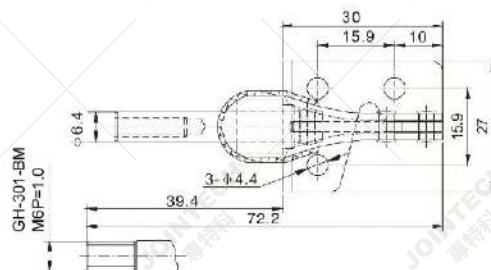
WEIGHT(自重) : 50g  
 HOLDING CAPACITY(夾持力) : 45kg  
 SPINDLE SUPPLIED(壓頭螺絲型號) : GH-FC-042407  
 HANDLE OPENS (手柄開啟角度) : 190°  
 PLUNGER STROKE (行程) : 16.7mm  
 GH-301-AMSS STAINLESS STEEL



GH-301-AM



GH-301-BM



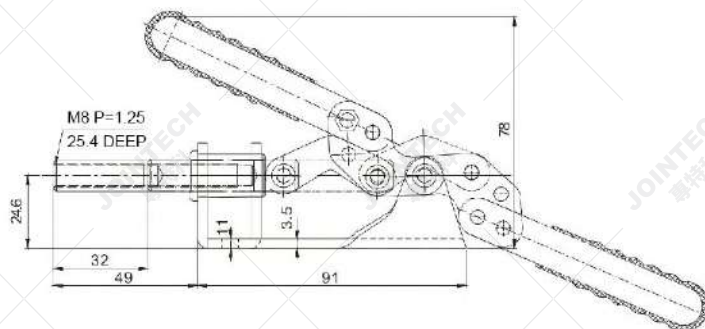
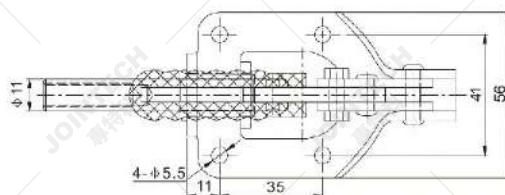
UNIT:m.m.

**GH-302-FM AND GH-302-FMSS**

WEIGHT(自重) : 300g  
 HOLDING CAPACITY(夾持力) : 136kg  
 SPINDLE SUPPLIED(壓頭螺絲型號) : GH-SA-085012  
 HANDLE OPENS (手柄開啟角度) : 180°  
 PLUNGER STROKE (行程) : 32mm  
 GH-302FMSS STAINLESS STEEL



GH-302-FM



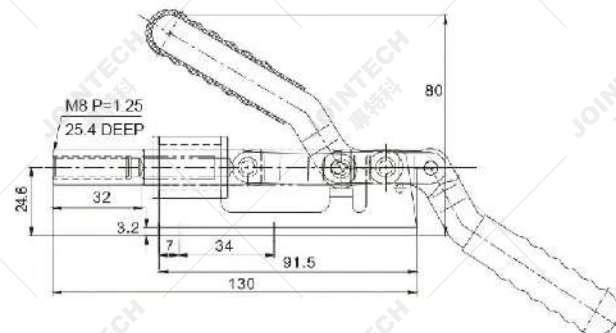
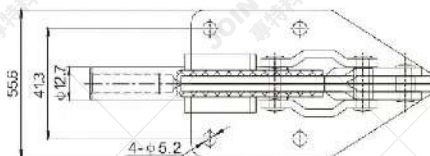
UNIT:m.m.

**GH-36092M AND HS-36092MSS**

WEIGHT(自重) : 397g  
 HOLDING CAPACITY(夾持力) : 180kg  
 SPINDLE SUPPLIED(壓頭螺絲型號) : GH-SA-085012  
 HANDLE OPENS (手柄開啟角度) : 180°  
 PLUNGER STROKE (行程) : 31.8mm  
 GH-36092MSS STAINLESS STEEL



GH-36092M



UNIT:m.m.

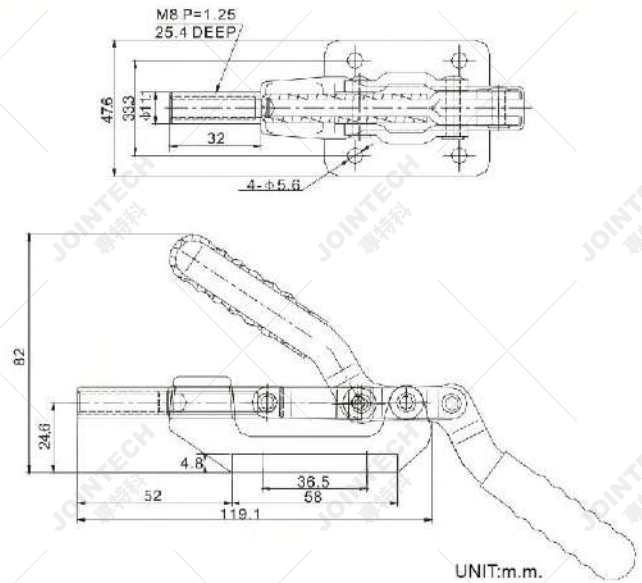


**GH-36003M**

WEIGHT(自重) : 355g  
 HOLDING CAPACITY(夾持力) : 272kg  
 SPINDLE SUPPLIED(壓頭螺絲型號) : GH-SA-085012  
 HANDLE OPENS (手柄開啟角度) : 180°  
 PLUNGER STROKE (行程) : 31.8mm



GH-36003M



UNIT:m.m.

**GH-36010M AND GH-36012M**

WEIGHT(自重) : 800g  
 HOLDING CAPACITY(夾持力) : 364kg  
 SPINDLE SUPPLIED(壓頭螺絲型號) : GH-SA-105015  
 HANDLE OPENS (手柄開啟角度) : 180°  
 PLUNGER STROKE (行程) : 41.3mm

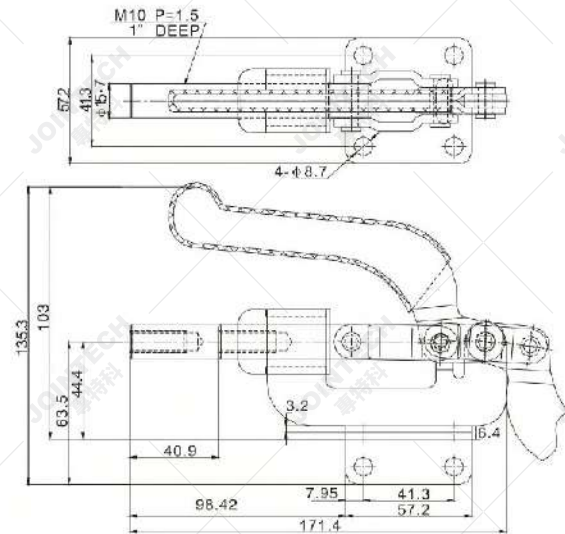


GH-36010M



GH-36012M

MODEL	DESCRIPTION	
GH-36010M	U-BAR, FLANGED BASE	U型壓把, 法蘭底座
GH-36012M	U-BAR, STRAIGHT BASE	U型壓把, 直底座



UNIT:m.m.

**GH-30607M AND GH-30608M**

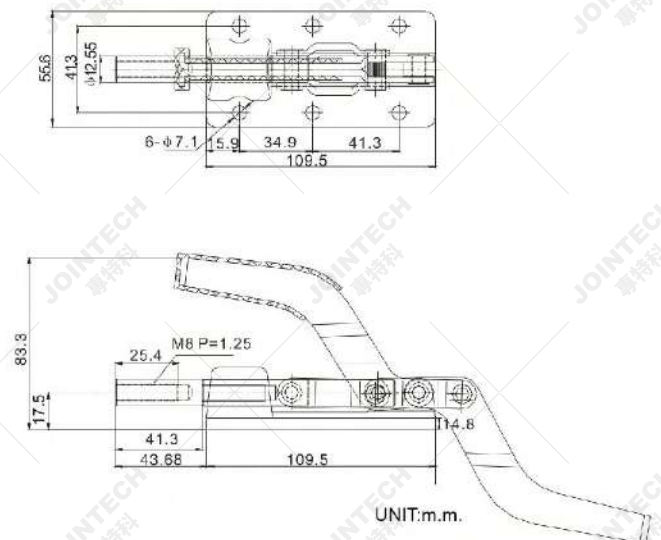
Forged alloy steel base (底座为锻造合金钢)  
 WEIGHT(自重) : 700g  
 HOLDING CAPACITY(夾持力) : 318kg  
 SPINDLE SUPPLIED(壓頭螺絲型號) : GH-SA-085012  
 HANDLE OPENS (手柄開啟角度) : 180°  
 PLUNGER STROKE (行程) : 41.3mm



GH-30607M



GH-30608M



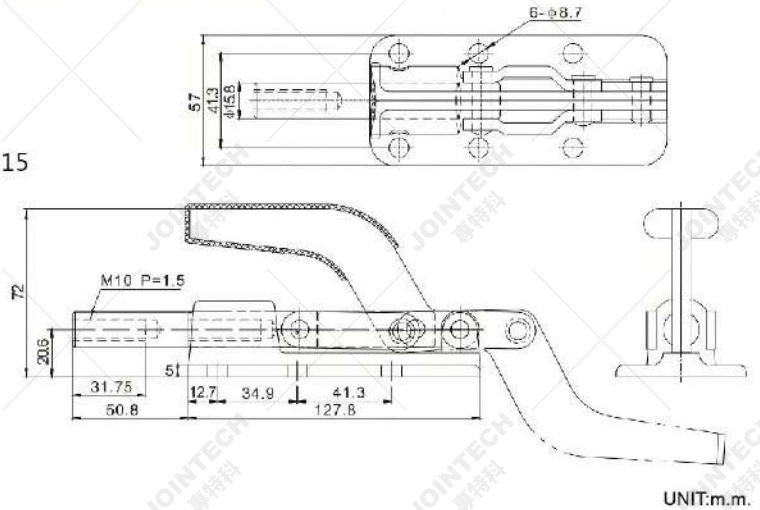
UNIT:m.m.

**GH-36330M**

Forged alloy steel base (底座为锻造合金钢)  
 WEIGHT(自重) : 935g  
 HOLDING CAPACITY(夾持力) : 1136kg  
 SPINDLE SUPPLIED(壓頭螺絲型號) : GH-SA-105015  
 HANDLE OPENS (手柄開啟角度) : 180°  
 PLUNGER STROKE (行程) : 50.8mm



GH-36330M



UNIT:m.m.

**GH-36202M GH-36204M GH-36224M**

Plunger Clamp With Threaded Collar for Mounting Through Panels or Plates.  
 夾具依靠外螺紋固定安裝  
 HANDLE OPENS (手柄開啟角度) : 180°



GH-36204M



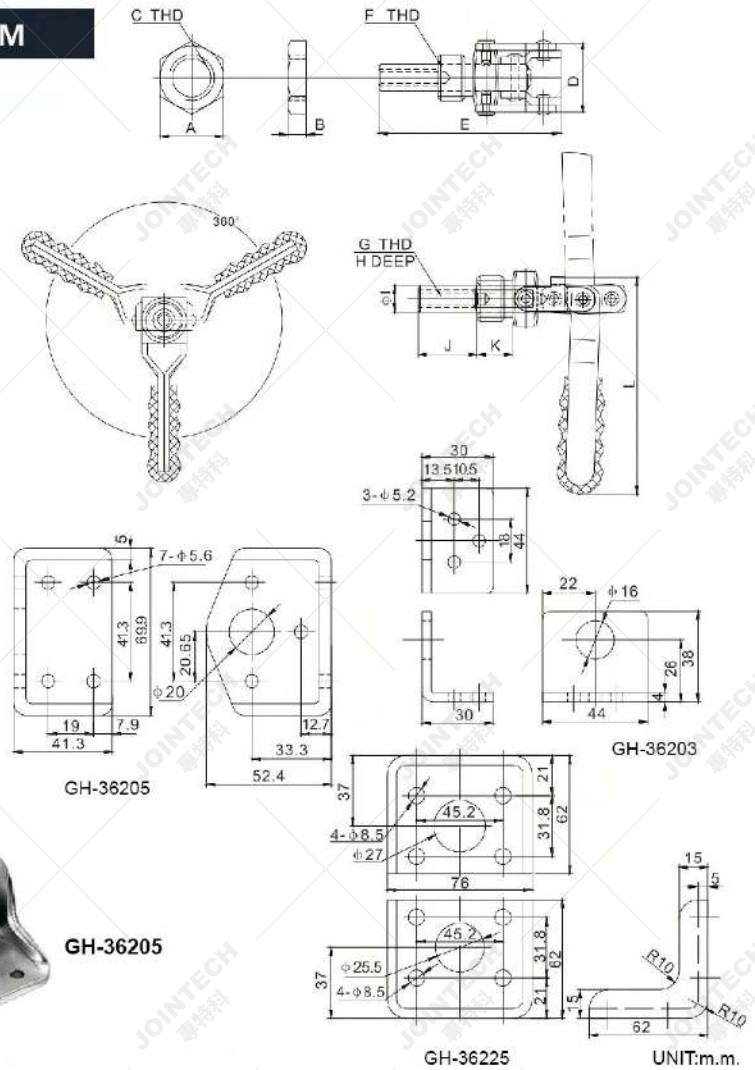
GH-36225



GH-36203



GH-36205



UNIT:m.m.

MODEL	WEIGHT(g)	HOLDING CAPACITY(kg)	SPINDLE SUPPLIED	PLUNGER STROKE	OPTIONAL MOUNTING BRACKET	A	B	C	F	D	E	G	H	ØI	J	K	L
GH-36202M	113	91	GH-SA-064010	20	GH-36203	23	6.4	M16 P=1.5	24	63	M6 P=1.0	15.8	9.4	20.6	12.7	75	
GH-36204M	270	136	GH-SA-085012	38	GH-36205	30	6.4	M20 P=1.5	28	109	M8 P=1.25	25.4	11	39.7	15.9	98	
GH-36204ML	300	136	GH-SA-085012	38	GH-36205	30	6.4	M20 P=1.5	28	109	M8 P=1.25	25.4	11	39.7	15.9	143	
GH-36224M	770	318	GH-SA-105015	66.8	GH-36225	41	6.4	M27 P=2.0	39	169.5	M10 P=1.5	31.75	15.8	69	22	137	
GH-36202-MSS	STAINLESS STEEL 不銹鋼																
GH-36204-MSS	STAINLESS STEEL 不銹鋼																
GH-36224-MSS	STAINLESS STEEL 不銹鋼																



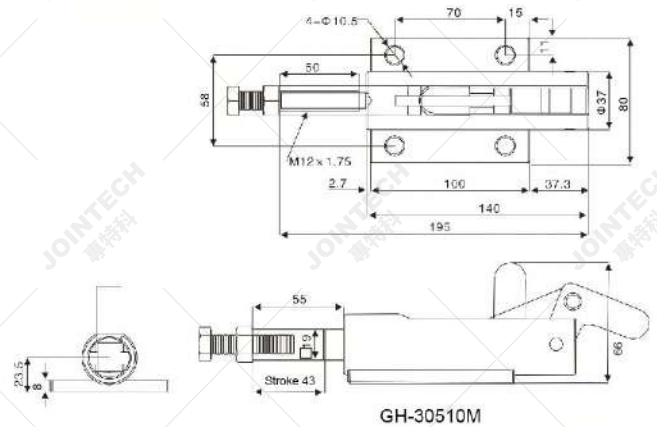


**GH-30510M**

WEIGHT(自重) : 1750g  
 HOLDING CAPACITY(夾持力) : 1100kg  
 SPINDLE SUPPLIED(壓頭螺絲型號) : GH-SA-125017  
 HANDLE OPENS (手柄開啟角度) : 105°  
 PLUNGER STROKE (行程) : 43mm



GH-30510M

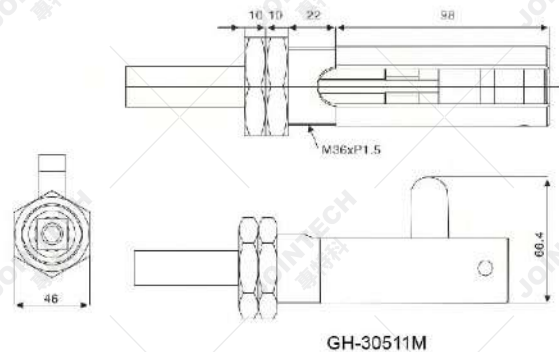


**GH-30511M**

WEIGHT(自重) : 1300g  
 HOLDING CAPACITY(夾持力) : 1100kg  
 SPINDLE SUPPLIED(壓頭螺絲型號) : GH-SA-125017  
 HANDLE OPENS (手柄開啟角度) : 105°  
 PLUNGER STROKE (行程) : 43mm



GH-30511M



GH-30511M

UNIT:m.m.

**GH-30519M AND GH-30619M**

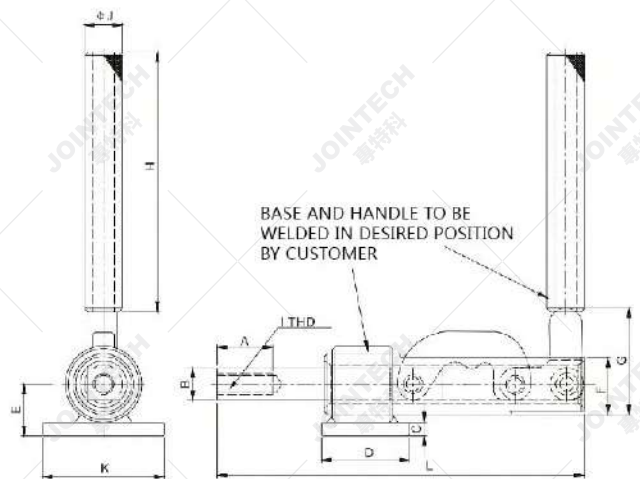
High strength steel construction and precisely broached body for square plunger, allow these clamps to be used as pin locating gauges. Hardened steel pins and bushing fitted at pivot points. Supplied with separate handle and base. Users can weld them at desired position. Clamps can be mounted by drilling holes on the base or be welded at a proper position.



GH-30519M



GH-30619M



UNIT:m.m.

MODEL	WEIGHT(g)	HOLDING CAPACITY(kg)	SPINDLE SUPPLIED	PLUNGER STROKE	A	B	C	D	E	F	G	H	I	$\phi$ J	K	L
GH-30519M	1640	1136	GH-SA-125017	59.5	25.4	19	8	50.8	30	35	74	152	M12P=1.75	21.7	70	212
GH-30619M	3500	2273	GH-SA-165020	77.8	38.1	25	11.1	68.3	40	45	87	152	M16P=2.0	27.2	90.5	283



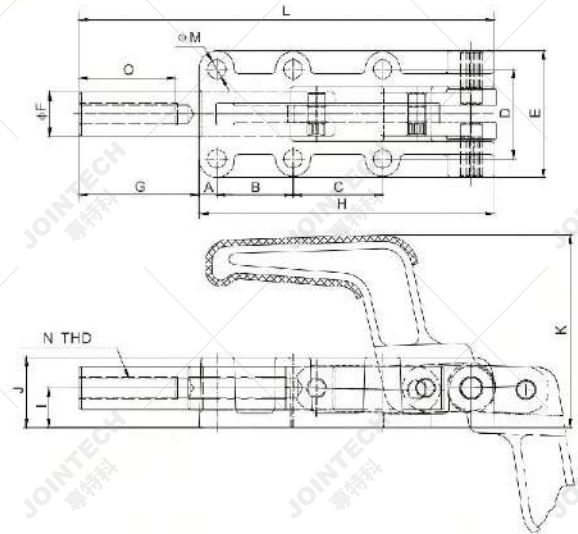
**GH-30600 AND GH-31200**

**GH-32500 AND GH-35000**

Ductile iron base&handle.  
Case hardened pivots  
底座和手柄为铸钢



GH-31200



UNIT:m.m.

MODEL	WEIGHT(g)	HOLDING CAPACITY(kg)	SPINDLE SUPPLIED	HANDLE OPENS	PLUNGER STROKE	A	B	C	D	E	ØF	G	H	I	J	K <sub>Max</sub>	L	ØM	N	O
GH-30500	510	600	GH-SA-086512	185°	32	25	36.5	-	33.4	46	14	38	89	12	22	67	127	5.5	M8 P=1.25	30
GH-31200	1500	1200	GH-SA-107515	185°	50	8	35	41	41	58	20	55	135	18	32	88	190	8.5	M10 P=1.5	40
GH-32500	3600	2500	GH-SA-127517	185°	75	12	45	45	54	78	25	102	196	22	40	110	298	10.3	M12 P=1.75	60
GH-35000	6500	5000	GH-SA-167520	185°	100	12	70	70	57	84	30	138	254	28	50	123	392	10.3	M16 P=2.0	60

**GH-30600HL**

**GH-31200HL**

**GH-32500HL**

**GH-35000HL**

Ductile iron base.  
Optional toggle press frame  
底座为铸钢，顶轴经过热处理



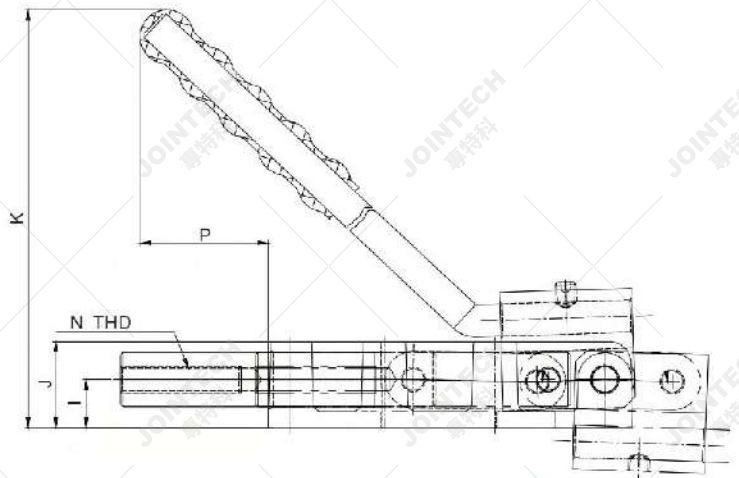
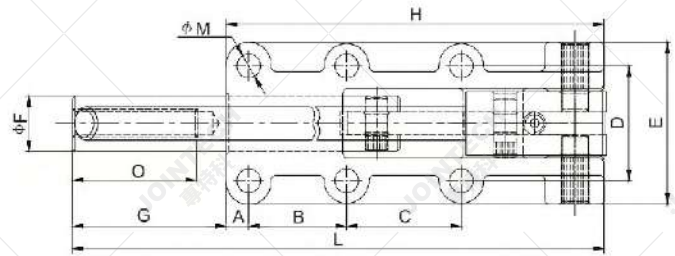
GH-32500HL



GH-31200HL



GH-30600HL



UNIT:m.m.

MODEL	WEIGHT(g)	HOLDING CAPACITY(kg)	SPINDLE SUPPLIED	HANDLE OPENS	PLUNGER STROKE	A	B	C	D	E	ØF	G	H	I	J	K <sub>Max</sub>	L	ØM	N	O	P
GH-30600HL	610	600	GH-SA-086512	185°	32	25	36.5	-	33.4	46	14	38	89	12	22	135	127	5.5	M8 P=1.25	30	65
GH-31200HL	1500	1200	GH-SA-107515	185°	50	8	35	41	41	58	20	55	135	18	32	200	190	8.5	M10 P=1.5	40	100
GH-32500HL	4150	2500	GH-SA-127517	185°	75	12	45	45	54	78	25	102	196	22	40	265	298	10.3	M12 P=1.75	60	115
GH-35000HL	7100	5000	GH-SA-167520	185°	100	12	70	70	57	84	30	138	254	28	50	365	392	10.3	M16 P=2.0	60	172

GH-30600PR GH-31200PR GH-32500PR



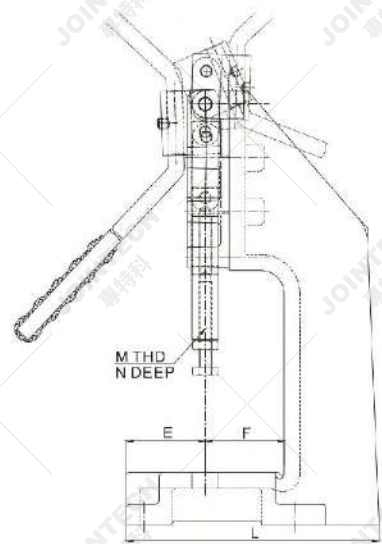
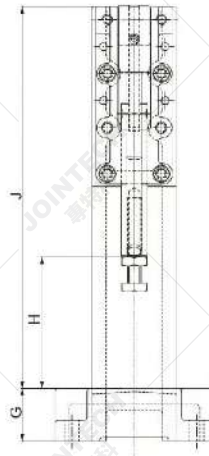
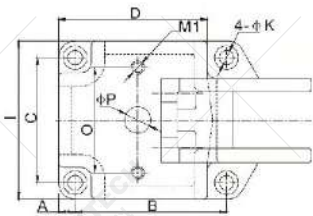
GH-30600PR



GH-32500PR



GH-31200PR



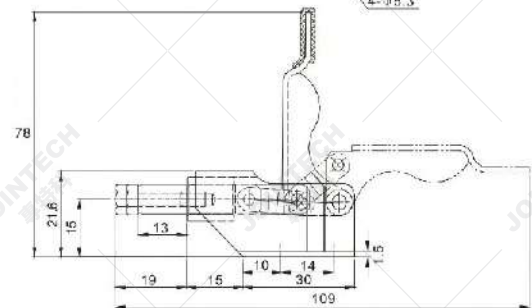
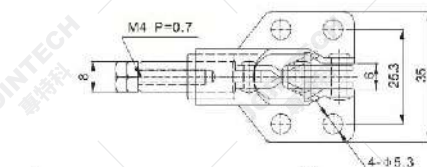
UNIT.m.m.

MODEL	WEIGHT(g)	HOLDING CAPACITY(kg)	SPINDLE SUPPLIED	HANDLE OPENS	PLUNGER STROKE	A	B	C	D	E	F	G	H	I	J	ØK	L	M	N	ØP	M1	O
GH-30600PR	3600	600	GH-SA-086512	185°	32	10	95	80	94	50	50	30	75	100	202	9	150	M8 P=1.25	30	15.6	M8*1.25	70
GH-31200PR	7350	1200	GH-SA-107515	185°	50	12.5	115	95	113	60	60	40	100	120	290	11.1	192	M10 P=1.5	40	20	M10*1.5	80
GH-32500PR	17920	2500	GH-SA-127517	185°	75	12.5	145	125	139	67	75	50	120	150	418	11	238	M12 P=1.75	60	30	M10*1.5	90

GH-36006

WEIGHT(自重) : 70g  
 HOLDING CAPACITY(夾持力) : 50kg  
 SPINDLE SUPPLIED  
 (壓頭螺絲型號) : GH-SA-041507  
 HANDLE OPENS (手柄開啟角度) : 93°  
 PLUNGER STROKE (行程) : 11mm

GH-36006

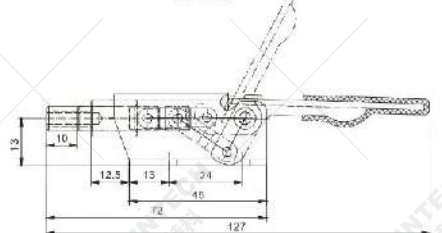
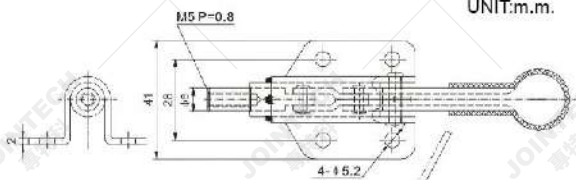


UNIT.m.m.

GH-36070

WEIGHT(自重) : 100g  
 HOLDING CAPACITY(夾持力) : 50kg  
 SPINDLE SUPPLIED(壓頭螺絲型號) : GH-SA-051508  
 HANDLE OPENS (手柄開啟角度) : 66°  
 PLUNGER STROKE (行程) : 10mm

GH-36070



UNIT.m.m.



**GH-302-DM AND GH-30282M**

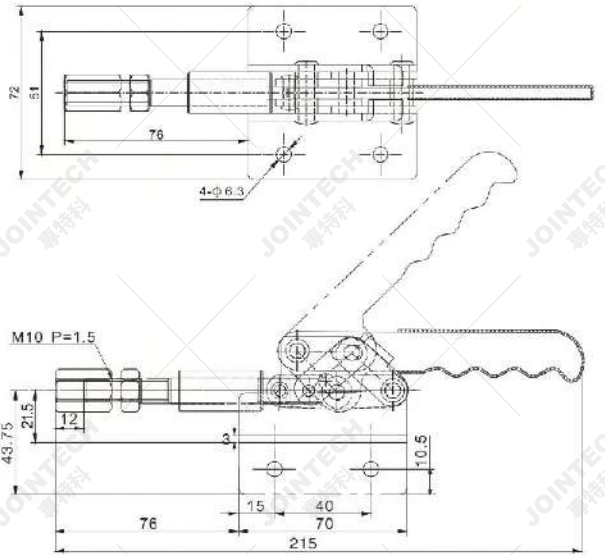
Plunger locks in Extended Position Only.  
 手柄下压为锁紧状态。  
 WEIGHT(自重) : 454g  
 HOLDING CAPACITY(夾持力) : 160kg  
 HANDLE OPENS (手柄開啟角度) : 45°  
 PLUNGER STROKE (行程) : 12mm



GH-302-DM

GH-30282M

MODEL	DESCRIPTION
GH-302-DM	FLANGED BASE 法蘭底座
GH-30282M	STRAIGHT BASE 直底座
GH-302-DMSS	STAINLESS STEEL 不銹鋼



UNIT:m.m.

**GH-30290M AND GH-30292M**

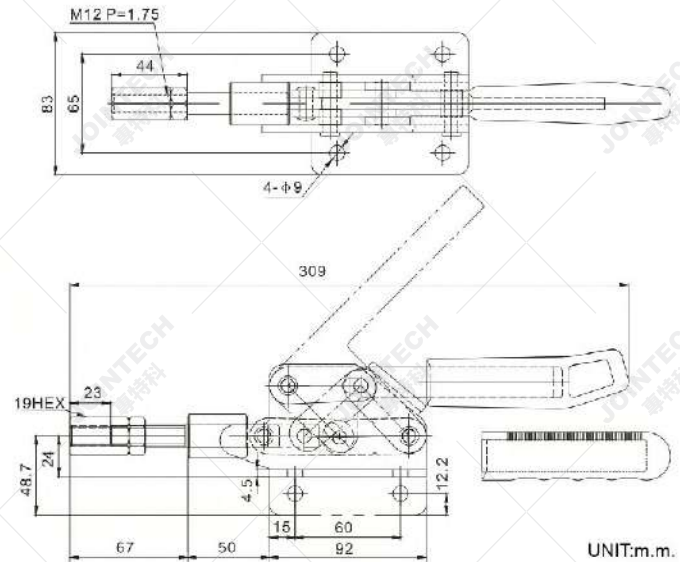
Plunger locks in Extended Position Only.  
 手柄下压为锁紧状态。  
 WEIGHT(自重) : 1270g  
 HOLDING CAPACITY(夾持力) : 295kg  
 HANDLE OPENS (手柄開啟角度) : 45°  
 PLUNGER STROKE (行程) : 23mm



GH-30290M

GH-30292M

MODEL	DESCRIPTION
GH-30290M	FLANGED BASE 法蘭底座
GH-30292M	STRAIGHT BASE 直底座



UNIT:m.m.

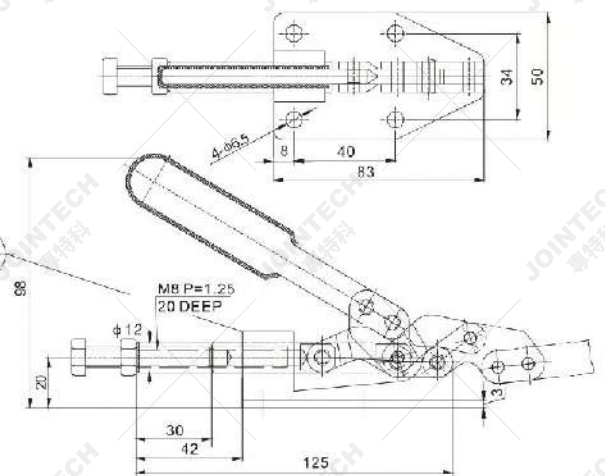
**GH-36020 AND GH-36020-K**

GH-36020-K has a key way to keep the Plunger from rotating. (GH-36020-K導筒上裝有一個鍵, 防止頂軸轉動)  
 WEIGHT(自重) : 345g  
 HOLDING CAPACITY(夾持力) : 180kg  
 SPINDLE SUPPLIED(壓頭螺絲型號) : GH-SA-085012  
 HANDLE OPENS (手柄開啟角度) : 144.5°  
 PLUNGER STROKE (行程) : 30mm



GH-36020

GH-36020-K



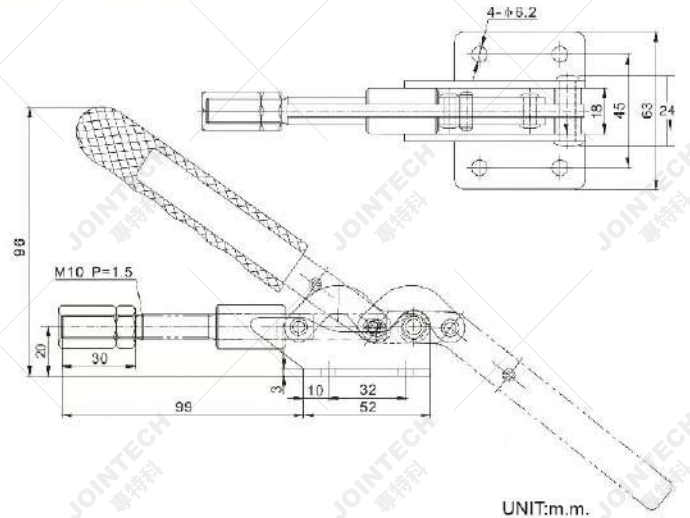
UNIT:m.m.

**GH31501**

WEIGHT(自重) : 355g  
 HOLDING CAPACITY(夾持力) : 200kg  
 HANDLE OPENS (手柄開啟角度) : 190°  
 PLUNGER STROKE (行程) : 30mm



GH-31501



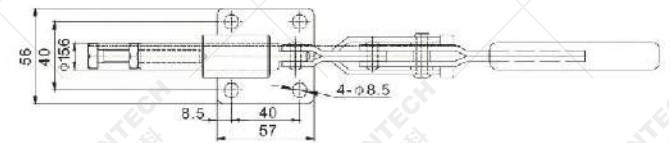
UNIT:m.m.

**GH-36060**

Plunger locks in Extended Position Only.  
 手柄下压为锁紧状态。  
 WEIGHT(自重) : 615g  
 HOLDING CAPACITY(夾持力) : 300kg  
 SPINDLE SUPPLIED(壓頭螺絲型號) : GH-SA-083012  
 HANDLE OPENS (手柄開啟角度) : 76°  
 PLUNGER STROKE (行程) : 28mm



GH-36060



UNIT:m.m.

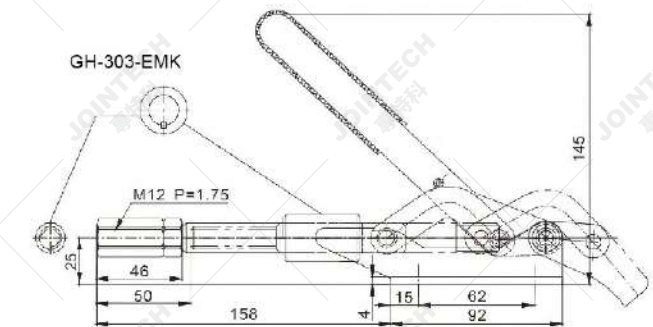
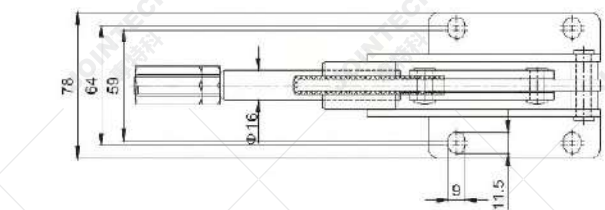
**GH-303-EM AND GH-303-EMK**

GH-303-EMK has a key way to keep the Plunger from rotating. ( GH-303-EMK導筒上裝有一個鍵, 防止頂軸轉動 )

WEIGHT ( 自重 ) : 965g  
 HOLDING CAPACITY ( 夾持力 ) : 454Kg  
 HANDLE OPENS ( 手柄開啟角度 ) : 190°  
 PLUNGER STROKE ( 行程 ) : 50mm



GH-303-EM



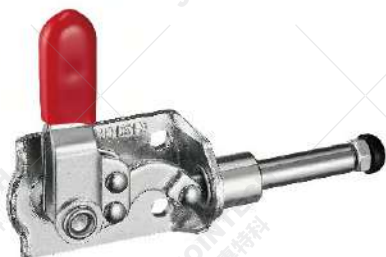
UNIT:m.m.





**GH-301-CR AND GH-301-CL**

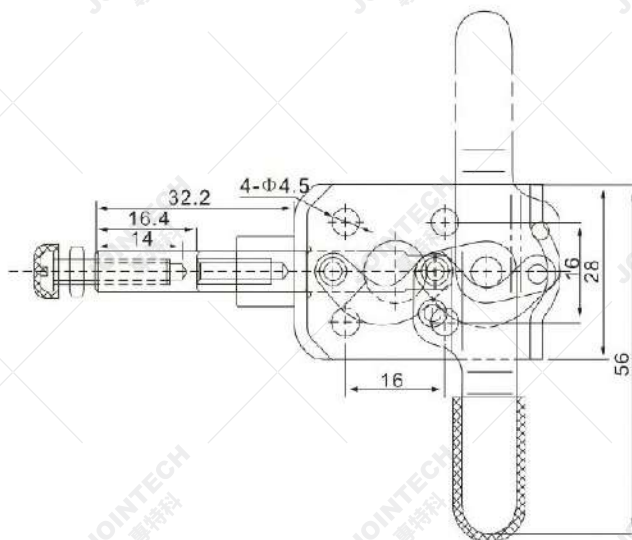
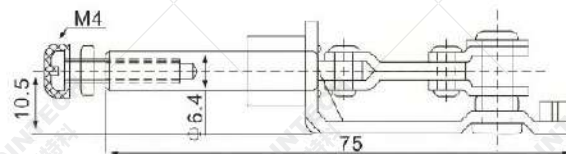
WEIGHT(自重) : 56g  
 HOLDING CAPACITY(夾持力) : 40kg  
 SPINDLE SUPPLIED(壓頭螺絲型號) : GH-FC-042007  
 HANDLE OPENS (手柄開啟角度) : 180°  
 PLUNGER STROKE (行程) : 16.4mm



GH-301-CR



GH-301-CL



UNIT:m.m.

**GH-302-CL AND GH-302-CR**

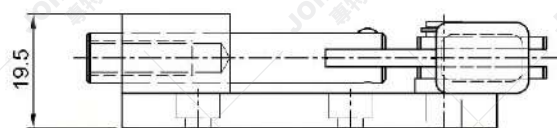
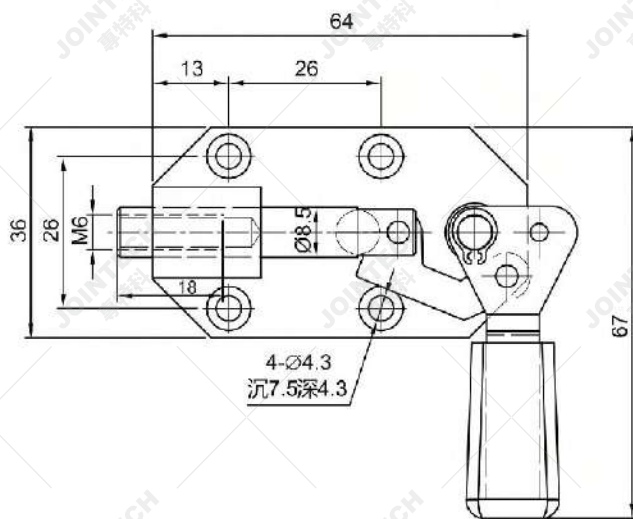
WEIGHT(自重) : 150g  
 HOLDING CAPACITY(夾持力) : 82kg  
 SPINDLE SUPPLIED(壓頭螺絲型號) : GH-FC-064410  
 HANDLE OPENS(壓把開啟角度) : 180°  
 PLUNGER STROKE (行程) : 20mm



GH-302-CL



GH-302-CR



UNIT:m.m.

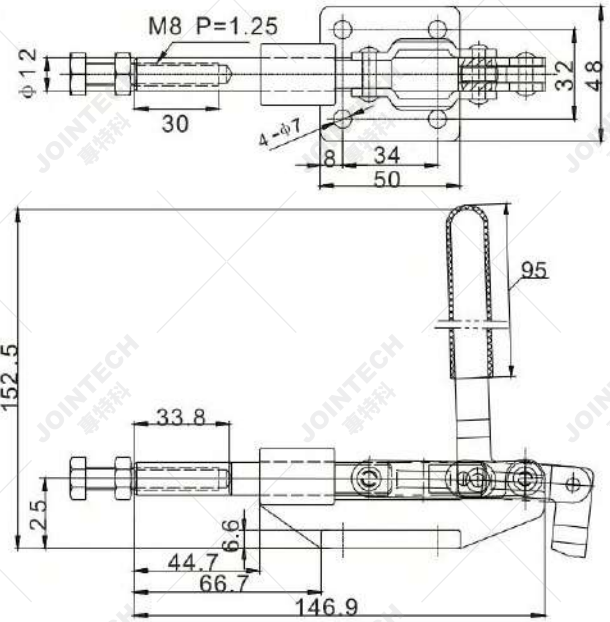


### GH-305-BM

WEIGHT(自重) : 480g  
 HOLDING CAPACITY(夾持力) : 180kg  
 SPINDLE SUPPLIED(壓頭螺絲型號) : GH-SA-085012  
 HANDLE OPENS (手柄開啟角度) : 185°  
 PLUNGER STROKE (行程) : 33.8mm



GH-305-BM



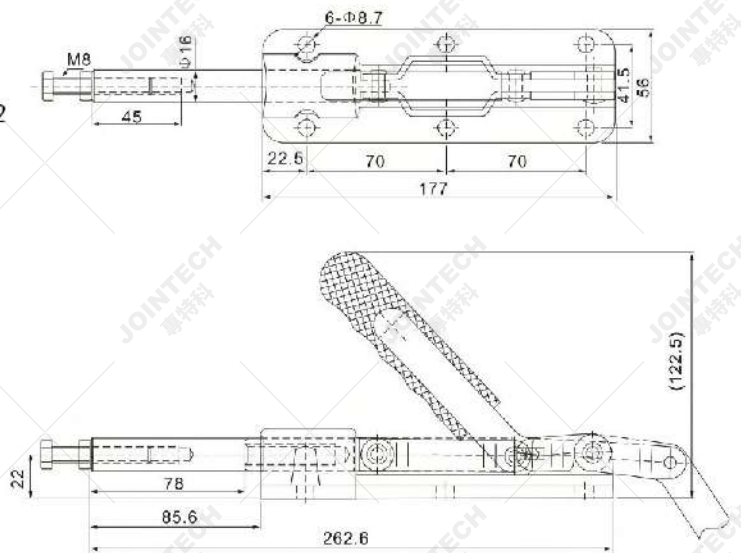
UNIT:m.m.

### GH-36330ML

Ductiles iron base (底座为铸钢)  
 WEIGHT(自重) : 1250g  
 HOLDING CAPACITY(夾持力) : 350kg  
 SPINDLE SUPPLIED(壓頭螺絲型號) : GH-SA-085012  
 HANDLE OPENS (手柄開啟角度) : 185°  
 PLUNGER STROKE (行程) : 78mm



GH-36330ML



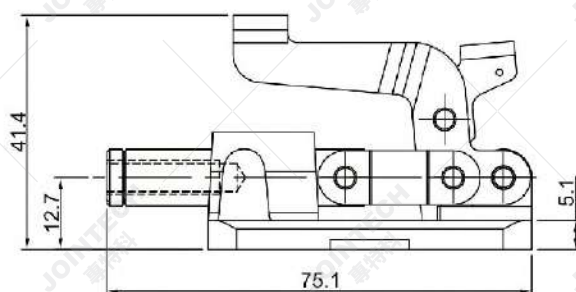
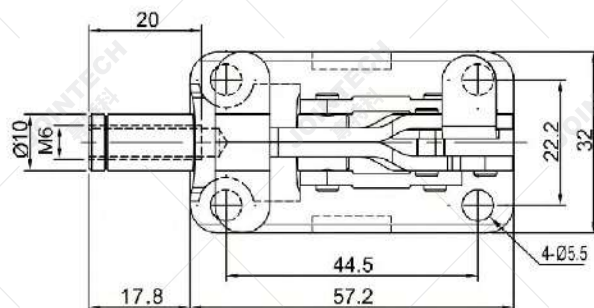
UNIT:m.m.

**GH-36015-T**

WEIGHT(自重) : 1500g  
 HOLDING CAPACITY(夾持力) : 255kg  
 SPINDLE SUPPLIED(壓頭螺絲型號) : GH-FC-064410  
 HANDLE OPENS(壓把開啟角度) : 180°  
 PLUNGER STROKE (行程) : 17.8mm



GH-36015-T



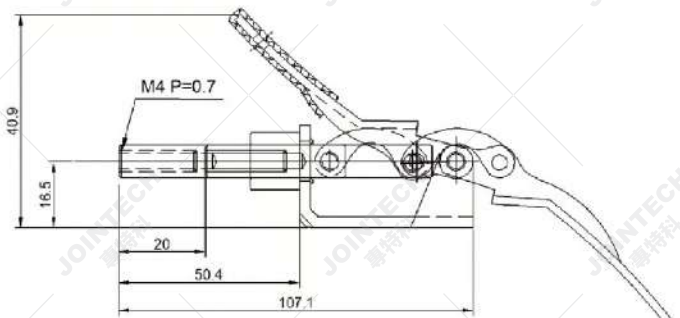
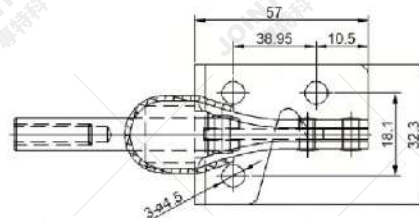
UNIT:m.m.

**GH-301-AL**

WEIGHT(自重) : 50g  
 HOLDING CAPACITY(夾持力) : 45kg  
 SPINDLE SUPPLIED(壓頭螺絲型號) : GH-FC-042407  
 HANDLE OPENS(手柄開啟角度) : 190°  
 PLUNGER STRIKE(行程) : 20mm



GH-301-AL



UNIT:m.m.

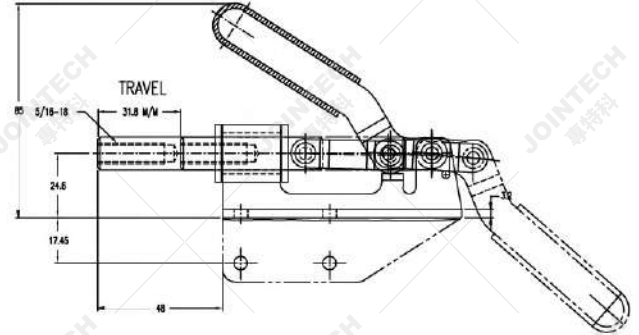
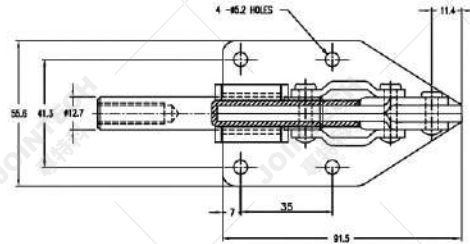
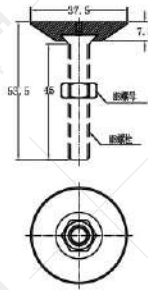


**GH-36092-KB**

WEIGHT(自重) : 360g  
 HOLDING CAPACITY(夾持力) : 180kg  
 SPINDLE SUPPLIED(壓頭螺絲型號) : GH-SA-085012  
 HANDLE OPENS (手柄開啟角度) : 180°  
 PLUNGER STROKE (行程) : 31.8mm



GH-36092-KB



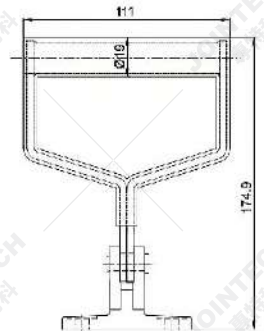
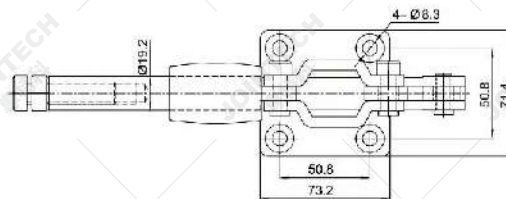
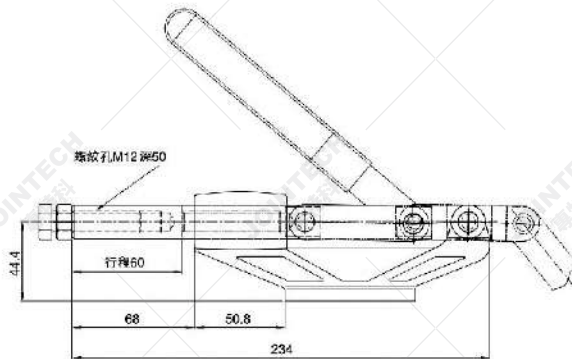
UNIT:m.m.

**GH-304-HMY**

WEIGHT(自重) : 1600g  
 HOLDING CAPACITY(夾持力) : 680kg  
 SPINDLE SUPPLIED(壓頭螺絲型號) : GH-SA-125017  
 HANDLE OPENS (手柄開啟角度) : 180°  
 PLUNGER STROKE (行程) : 60mm



GH-304-HMY



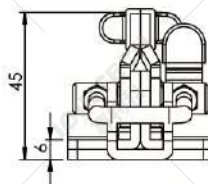
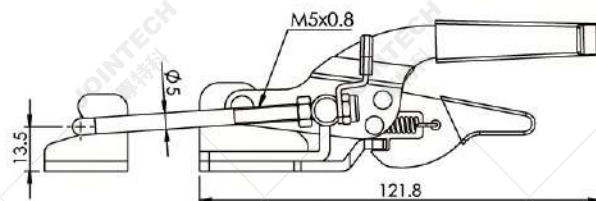
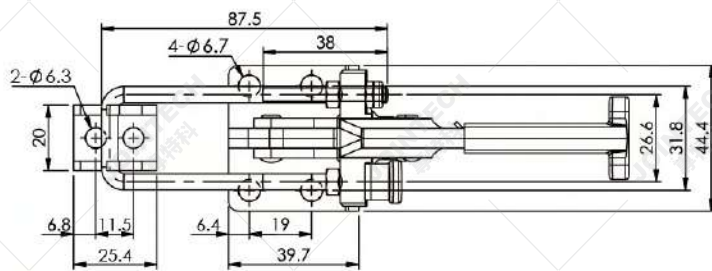
UNIT:m.m.

**GH-431-R(帶自鎖)**

WEIGHT(自重) : 270g  
 HOLDING CAPACITY(夾持力) : 318kg



GH-431-R(帶自鎖)  
 Self-locking



UNIT:m.m.

**GH-40360-ST**

Forged alloy steel handle and base (手柄和底座為鍛造合金鋼)

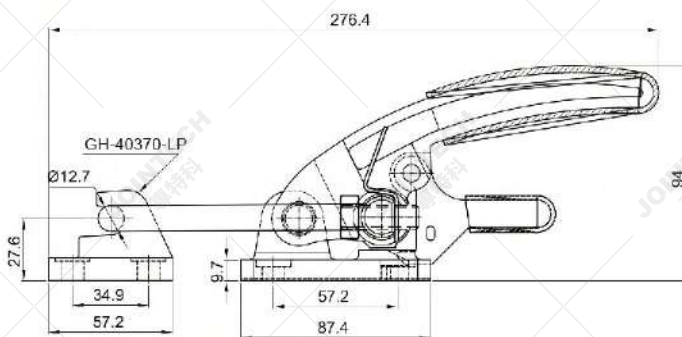
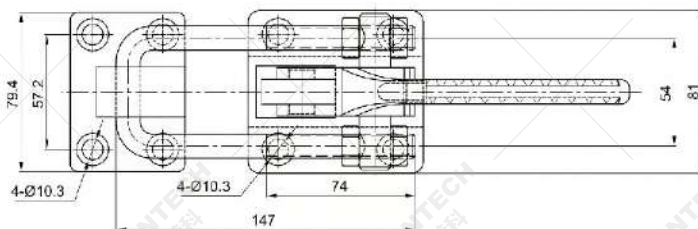
Optional latch plate available:GH-40370-LP

選裝GH-40370-LP固定座

WEIGHT(自重) : 1610g  
 HOLDING CAPACITY(夾持力) : 3400kg  
 GH-40360-ST U Bolt  $\varnothing$  1/2



GH-40360-ST

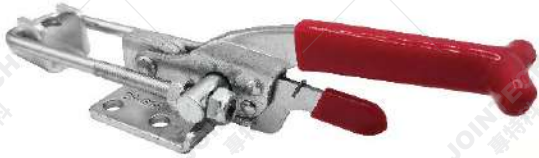


UNIT:m.m.

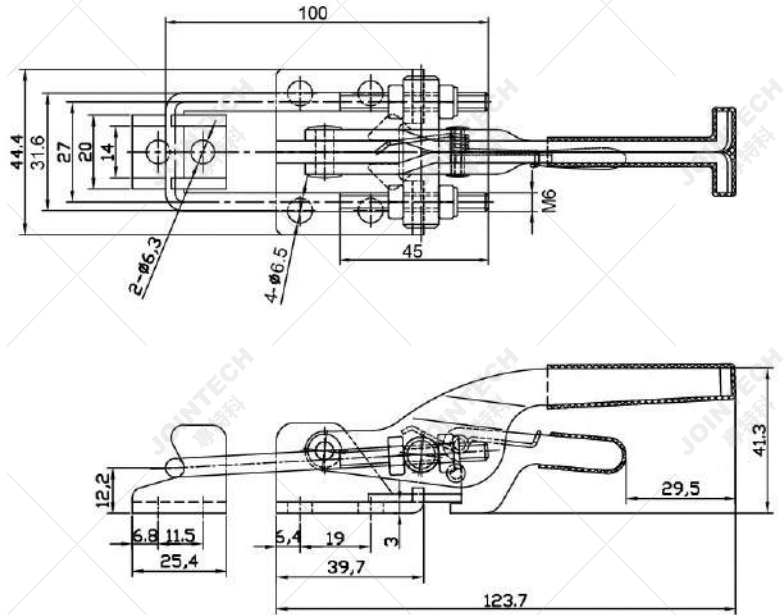


**GH-431-R1(帶自鎖)**

WEIGHT(自重) : 240g  
 HOLDING CAPACITY(夾持力) : 318kg



GH-431-R1(帶自鎖)  
 Self-locking



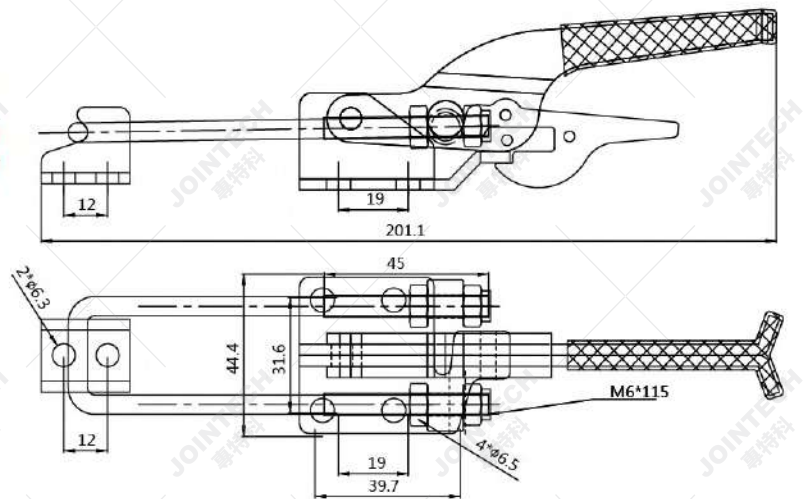
UNIT:m.m.

**GH-431-R2(帶自鎖)**

WEIGHT(自重) : 275g  
 HOLDING CAPACITY(夾持力) : 318kg



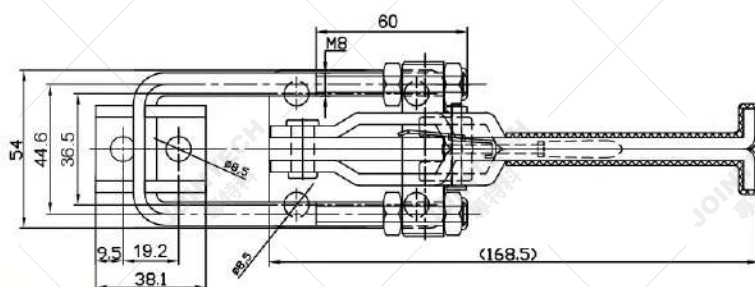
GH-431-R2(帶自鎖)  
 Self-locking



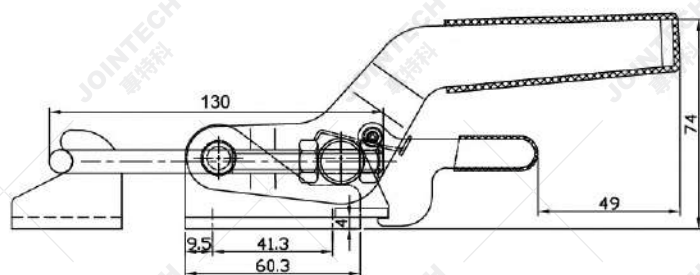
UNIT:m.m.

**GH-40341-R1(帶自鎖)**

WEIGHT(自重) : 680g  
 HOLDING CAPACITY(夾持力) : 900kg



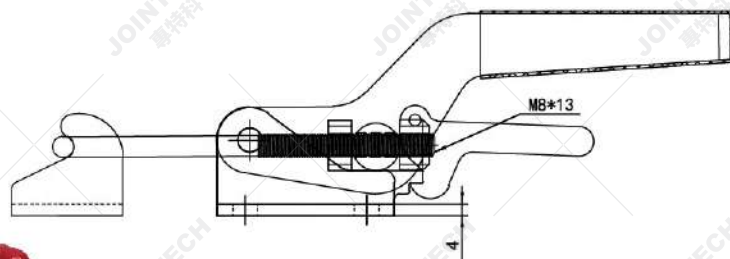
GH-40341-R1(帶自鎖)  
 Self-locking



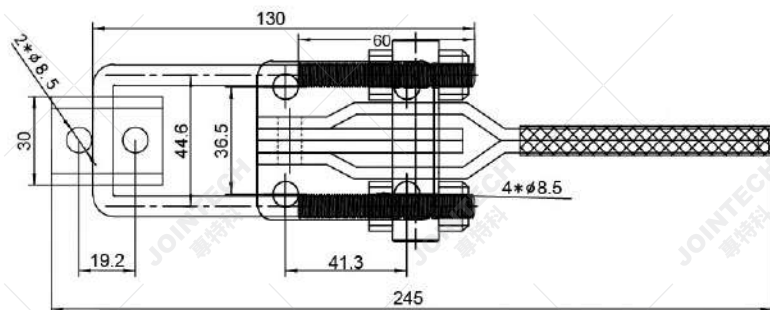
UNIT:m.m.

**GH-40341-R2(帶自鎖)**

WEIGHT(自重) : 710g  
 HOLDING CAPACITY(夾持力) : 900kg



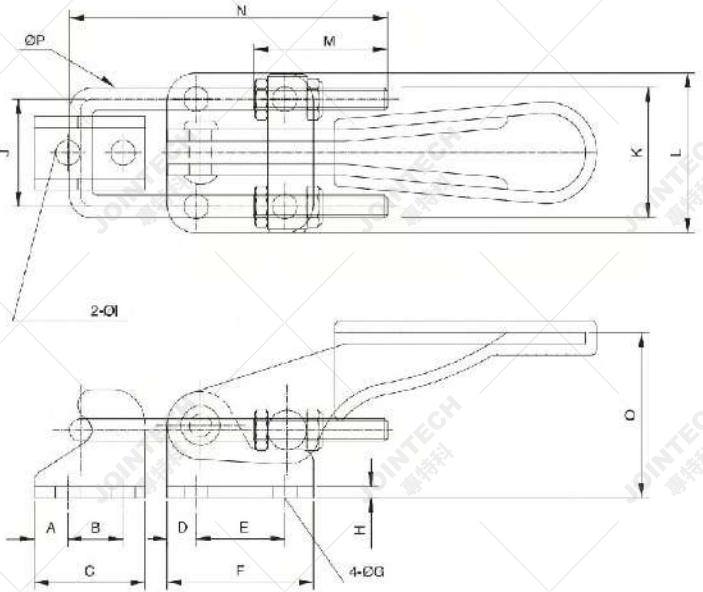
GH-40341-R2(帶自鎖)  
 Self-locking



UNIT:m.m.



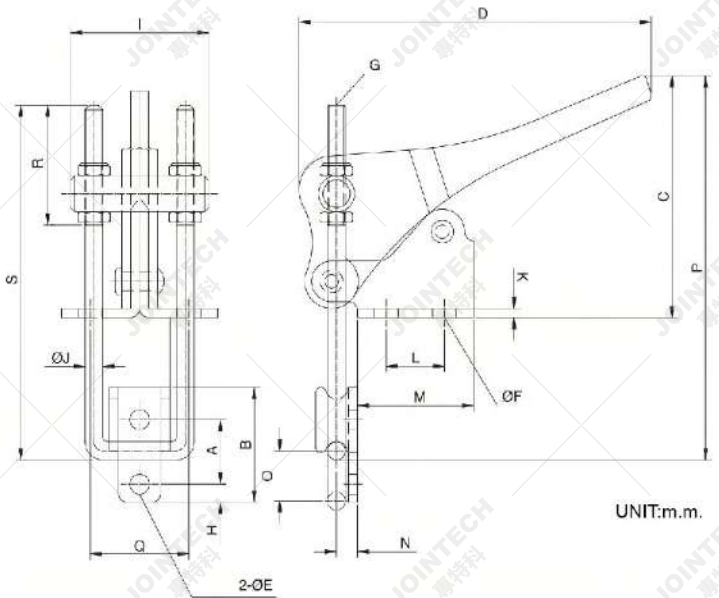
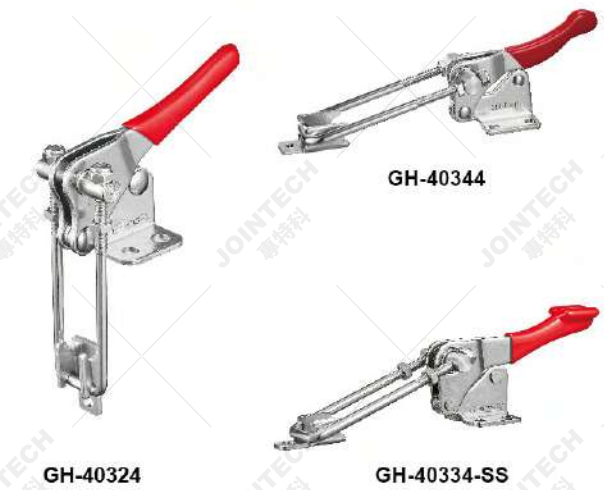
**GH-421      GH-431**  
**GH-40323    GH-40341**



UNIT:m.m.

MODEL	WEIGHT(g)	HOLDING CAPACITY(kg)	A	B	C	D	E	F	ØG	H	ØI	J	K	L	M	N	O	ØP
GH-421	150	250	6	12	23	6	20	36.3	5.7	2.8	6.3	21	30	32.3	38	82	39	4
GH-40323	70	163	6	9.9	19.8	5.2	15.9	26.2	4.4	2	4.4	19	23	28.2	24	66	29.3	4
GH-431	225	318	6.8	11.5	25.4	6.4	19	39.7	6.7	3.2	6.3	28	33	44.4	40	102	41.3	5
GH-40341	680	900	9.5	19.1	38.1	9.5	41.3	60.3	8.6	4	8.5	44	52	54	52	135	74	8
GH-40323-SS	STAINLESS STEEL 不銹鋼																	
GH-431M-SS	STAINLESS STEEL 不銹鋼																	
GH-40341-SS	STAINLESS STEEL 不銹鋼																	

**GH-40324 THRU GH-40344**



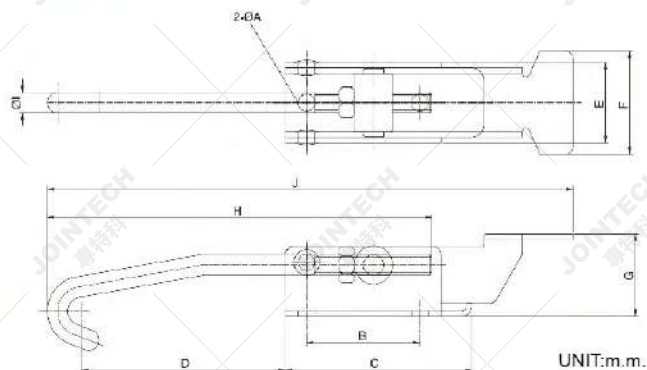
UNIT:m.m.

MODEL	WEIGHT(g)	HOLDING CAPACITY(kg)	A	B	C	D	ØE	ØF	G	H	I	ØJ	K	L	M	N	O	P	Q	R	S
GH-40324	113	225	14.3	25.4	53.3	79	4.4	5.3	M4P=0.7	4	31	4	2	13	26	4.7	11.1	70	22	26.5	78.5
GH-40334	250	450	20.6	38.1	61.9	120	7.1	7.1	M6 P=1.0	7.1	41.3	6.35	3	19.1	33.3	8.7	17.5	102	25.4	40.5	114
GH-40344	700	900	27	54	84.1	130.2	8.7	5.3	MB P=1.25	9.5	60.3	7.9	4	31.8	47.6	12.7	28.6	150	36.5	58	154
GH-40324-SS	STAINLESS STEEL 不銹鋼																				
GH-40344-SS	STAINLESS STEEL 不銹鋼																				

GH-40402 AND GH-40702



GH-40702



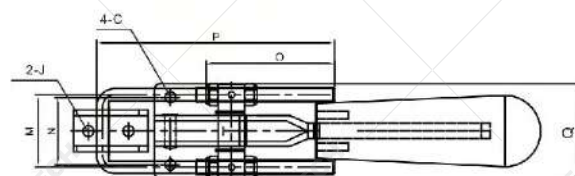
UNIT:m.m.

MODEL	WEIGHT(g)	HOLDING CAPACITY(kg)	ØA	B	C	D	E	F	G	H	ØI	J
GH-40402	130	100	6.5	36	85	86.83	20	28	23	140	6	183.7
GH-40702	290	200	6.7	44.5	73.2	79.96	31	40	32	151.06	8	206.5
GH-40402-SS	STAINLESS STEEL 不銹鋼											

GH-40390 AND GH-40392

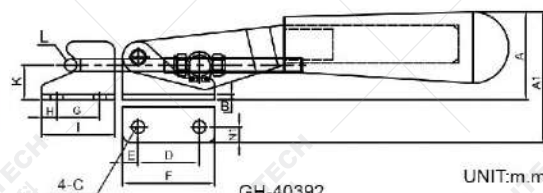


GH-40390



GH-40390

MODEL	WEIGHT (g)	HOLDING CAPACITY(kg)	A	A1	B	C	D	E	F	G	H	I	J	K	L	M	N	N1	O	P	Q
GH-40390	165	235	30	-	3	5.5	24	6	36	11	6	23	5	13.5	4.5	24.5	22	-	32	47.1	37
GH-40391	650	900	51.5	-	4	7	40	10	60	19	9.5	38	7	22	7	40	36	-	32	134.5	57
GH-40392	650	900	-	72.5	4	7	40	10	60	19	9.5	38	7	22	7	40	-	10	71	134.5	57



GH-40392

UNIT:m.m.

GH-40820 AND GH-40840 AND GH-40870

Two functions. (两个功能, 垂直和水平方向都可锁死)  
Latch for vertical or horizontal are available.



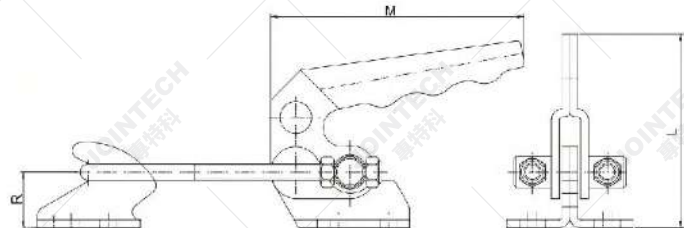
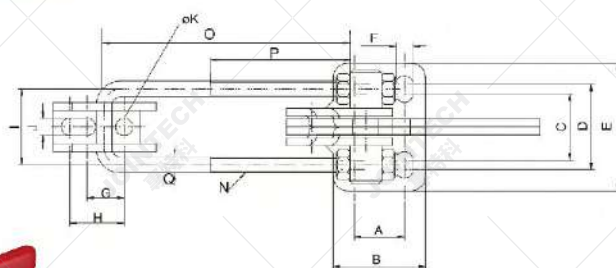
GH-40820



GH-40840



GH-40870



UNIT:m.m.

MODEL	WEIGHT(g)	HOLDING CAPACITY(kg)	A	B	C	D	E	F	G	H	I	J	ØK	L	M	N	O	P	Q	R
GH-40820	120	200	13	26	19	24	36	5.2	11	16	21	23	5.2	46	65	M4×0.7	92	55	4	12.9
GH-40840	306	400	19	35	25	32	48	6.5	14	18.5	28.5	39	6.5	73	97	M6×1.0	113.5	70	6	21
GH-40870	700	700	32	50.5	36	45	63.5	8.5	19	28	44.5	40	8.5	88	117	M8×1.25	150	85	8	24.4

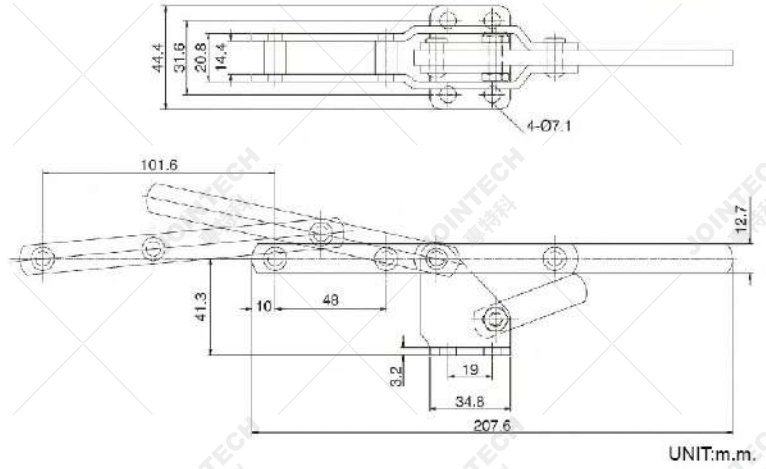


**GH-43101**

WEIGHT(自重) : 310g  
HOLDING CAPACITY(夾持力) : 170kg



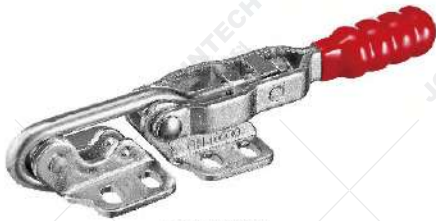
GH-43101



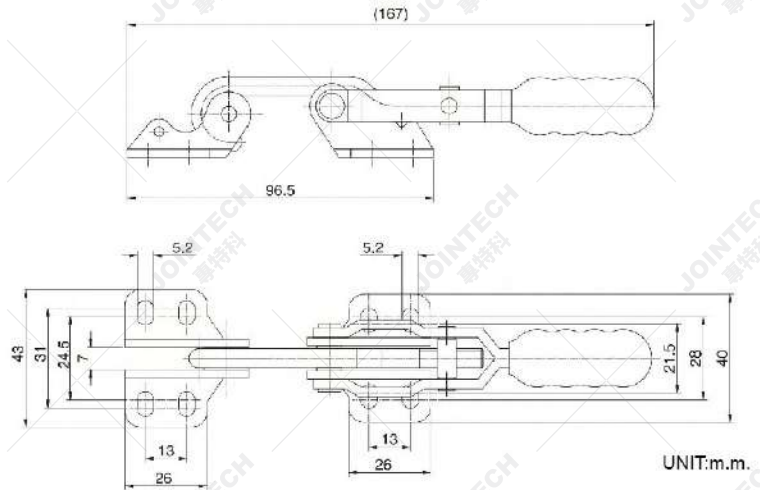
UNIT:m.m.

**GH-40200**

WEIGHT(自重) : 155g  
HOLDING CAPACITY(夾持力) : 200kg



GH-40200



UNIT:m.m.

**GH-451 AND GH-452**

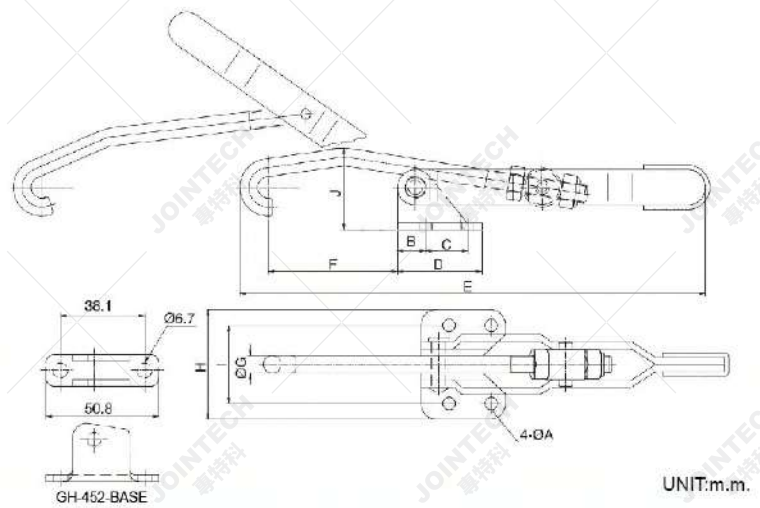
**GH-40371 AND GH-43810**



GH-451



GH-452

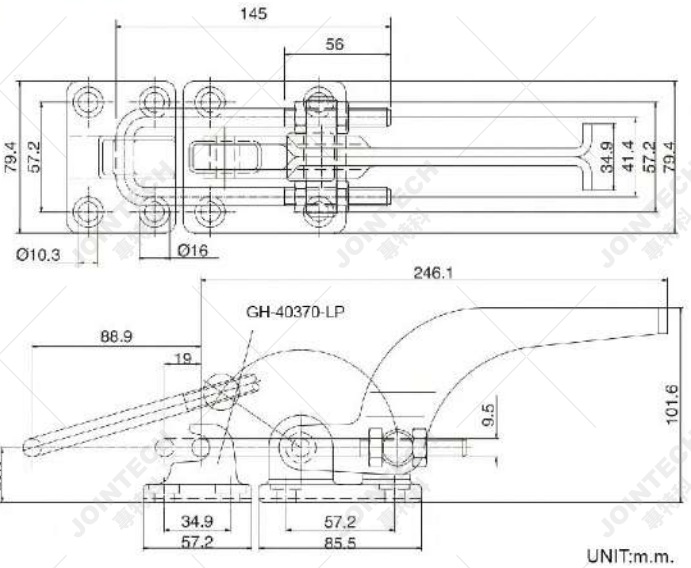
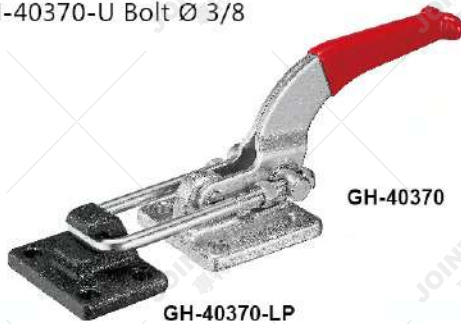


UNIT:m.m.

MODEL	WEIGHT(g)	HOLDING CAPACITY(kg)	DESCRIPTION	ØA	B	C	D	E	F	ØG	H	I	J
GH-451	270	170	FLANGED BASE	5.6	12.7	19	38.1	211	58.4	8	49.2	34.9	36.5
GH-452	255	170	NARROW BASE	6.7	-	38.1	50.8	211	44.75	8	-	-	36.5
GH-40371	624	340	FLANGED BASE	8.7	7.9	31.8	47.6	285	79.4	9.5	65.7	49.2	57.3
GH-43810	1130	450	FLANGED BASE	10.3	12.7	28.6	54	336	76.2	12.7	85.7	60.3	68
GH-451-SS	STAINLESS STEEL 不銹鋼												
GH-452-SS	STAINLESS STEEL 不銹鋼												

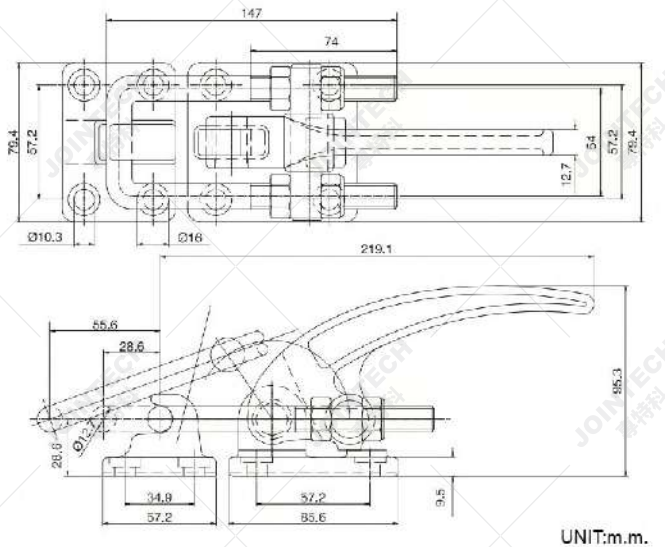
**GH-40370 AND GH-40370-LP**

Forged alloy steel base ( GH-40370底座为锻造合金钢)  
 Optional latch plate available:GH-40370-LP  
 WEIGHT ( 自重 ) : 1260g  
 HOLDING CAPACITY ( 夹持力 ) : 1818Kg  
 GH-40370-LP Ductile iron  
 GH-40370-U Bolt  $\varnothing$  3/8



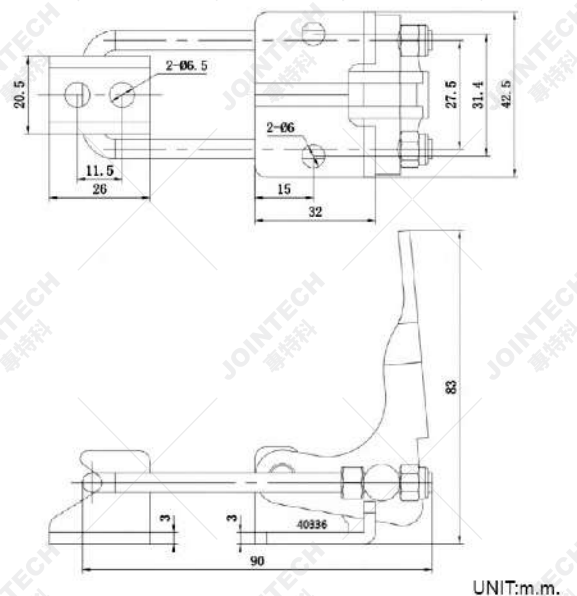
**GH-40380 AND GH-40380-SS**

Forged alloy steel base ( GH-40380底座为锻造合金钢 )  
 Optional latch plate available:GH-40380-LP  
 WEIGHT ( 自重 ) : 1480g  
 HOLDING CAPACITY ( 夹持力 ) : 3400Kg  
 GH-40380-SS&LATCH PLATE are stainless steel  
 GH-40380 U Bolt  $\varnothing$  1/2



**GH-40336**

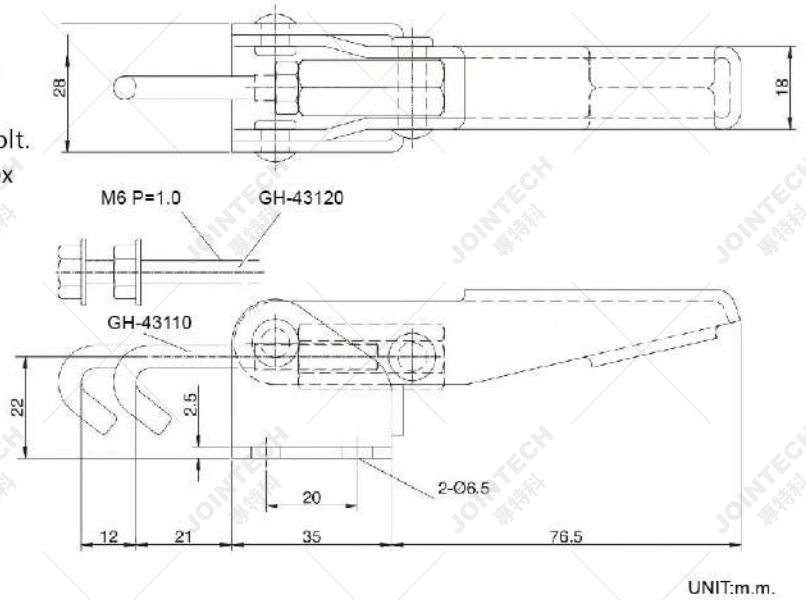
WEIGHT ( 自重 ) : 192g  
 HOLDING CAPACITY ( 夹持力 ) : 320Kg





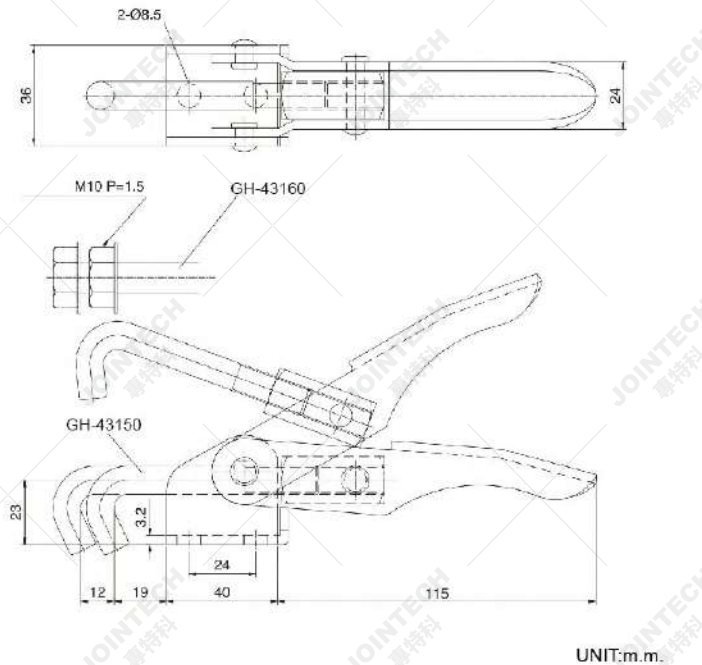
**GH-43110 AND GH-43120**

WEIGHT (自重) : 180g  
 HOLDING CAPACITY (夾持力) : 170kg  
 GH-43110 Supplied with M6 P=1.0 hook bolt.  
 GH-43120 Supplied with GH-SA-065010 hex head spindle assembly.



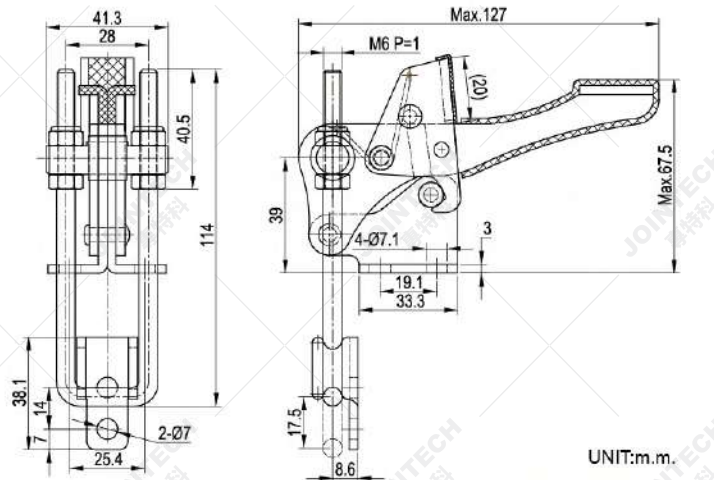
**GH-43150 AND GH-43160**

WEIGHT (自重) : 385g  
 HOLDING CAPACITY (夾持力) : 300kg  
 GH-43150 Supplied with M10 P=1.5 hook bolt.  
 GH-43160 Supplied with GH-SA-107515 hex head spindle assembly.



**GH-40334SS-T**

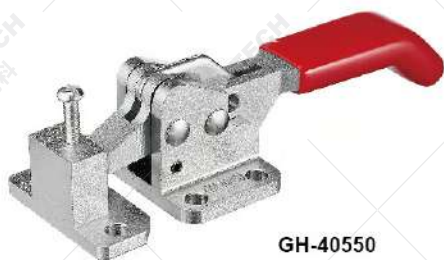
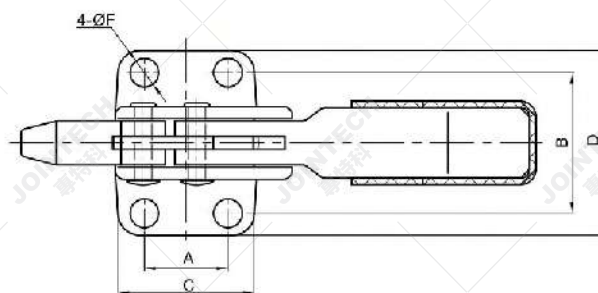
WEIGHT (自重) : 310g  
 HOLDING CAPACITY (夾持力) : 450kg



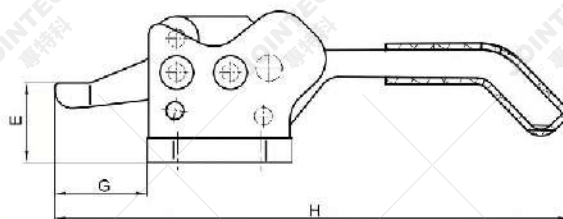
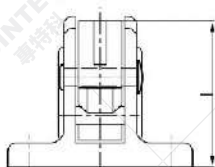
**GH-40550 AND GH-40580**



GH-40580



GH-40550



UNIT:m.m.

MODEL	WEIGHT(g)	HOLDING CAPACITY(kg)	A	B	C	D	E	ØF	G	H	I
GH-40550	200	110	19	32	31	42	17.5	6.5	22	116	33
GH-40580	940	220	35	51	62	68	25	8.5	40	222	52.8

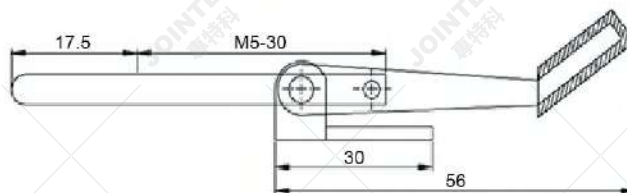
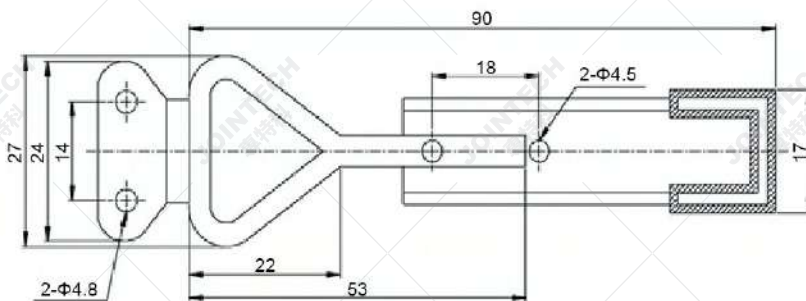
**GH-4001**

WEIGHT(自重) : 49g

HOLDING CAPACITY(夾持力) : 150kg



GH-4001



UNIT:m.m.

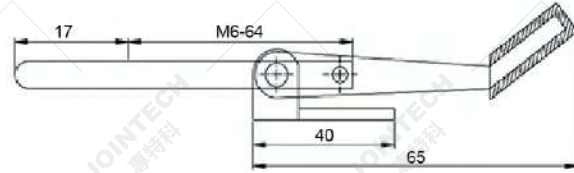
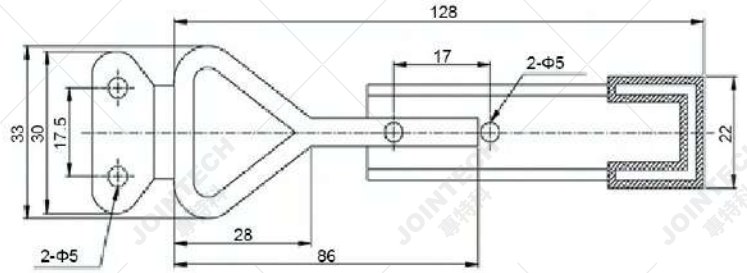


**GH-4002**

WEIGHT(自重) : 95g  
HOLDING CAPACITY(夾持力) : 220kg



GH-4002



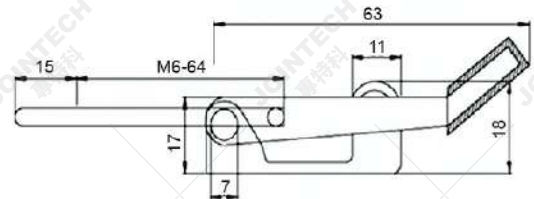
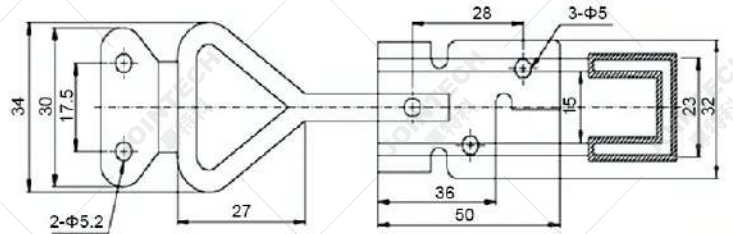
UNIT:m.m.

**GH-4002-A**

WEIGHT(自重) : 100g  
HOLDING CAPACITY(夾持力) : 220kg



GH-4002-A



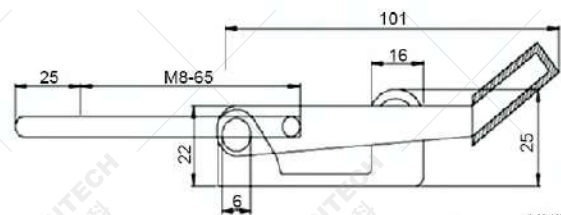
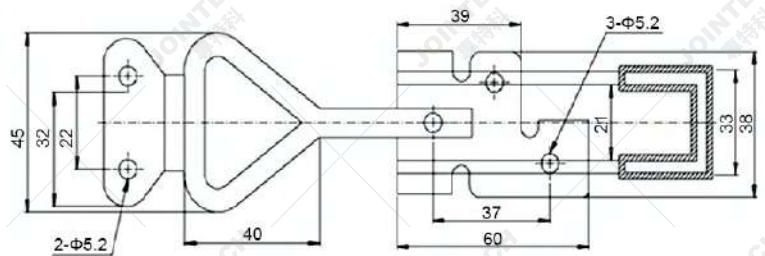
UNIT:m.m.

**GH-4003**

WEIGHT(自重) : 230g  
HOLDING CAPACITY(夾持力) : 600kg



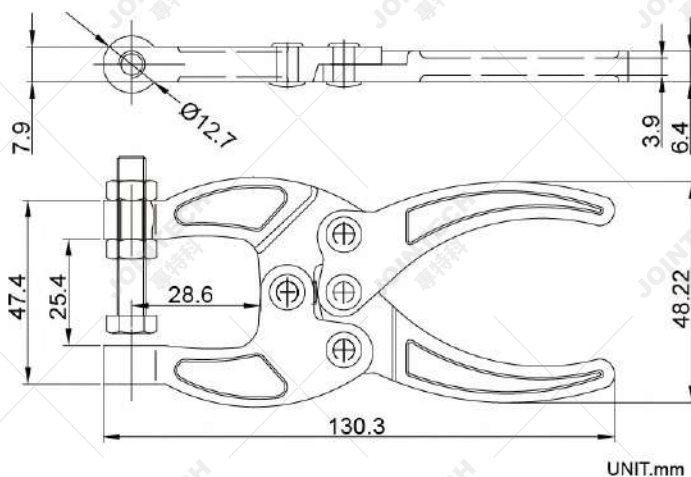
GH-4003



UNIT:m.m.

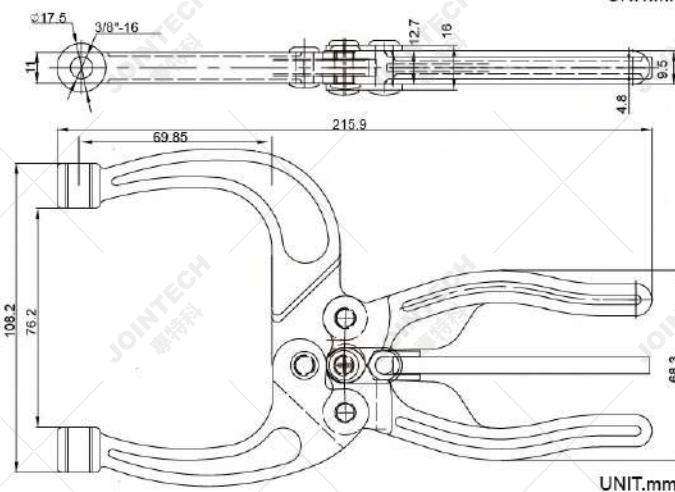
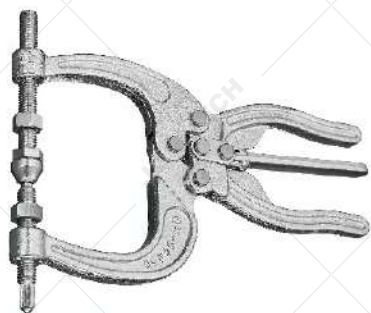
**GH-50350**

WEIGHT(自重) : 185g  
 HOLDING CAPACITY(夾持力) : 90kg  
 SPINDLE SUPPLIED(壓頭螺絲型號) : GH-SA-14112



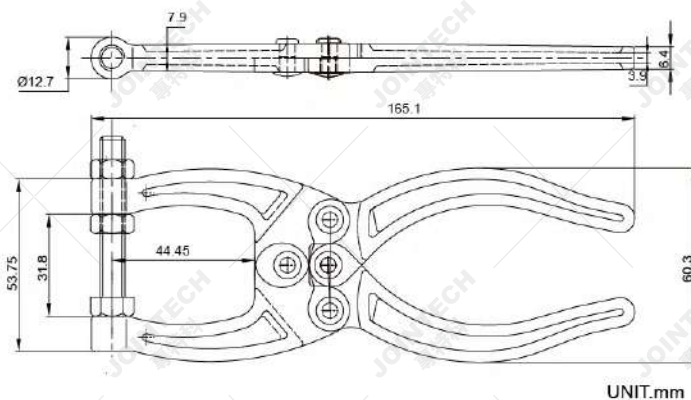
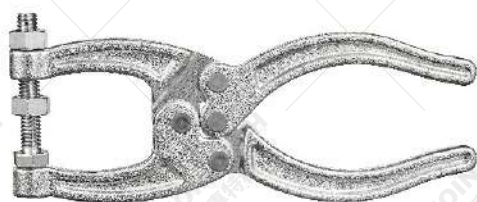
**GH-50450**

WEIGHT(自重) : 740g  
 HOLDING CAPACITY(夾持力) : 318kg  
 SPINDLE SUPPLIED(壓頭螺絲型號) : GH-SA-38300



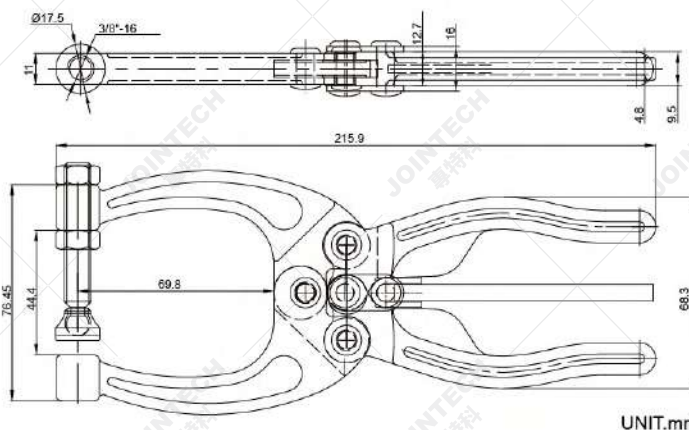
**GH-50360**

WEIGHT(自重) : 290g  
 HOLDING CAPACITY(夾持力) : 159kg  
 SPINDLE SUPPLIED(壓頭螺絲型號) : GH-SA-56200



**GH-50380**

WEIGHT(自重) : 660g  
 HOLDING CAPACITY(夾持力) : 318kg  
 SPINDLE SUPPLIED(壓頭螺絲型號) : GH-SF-38300



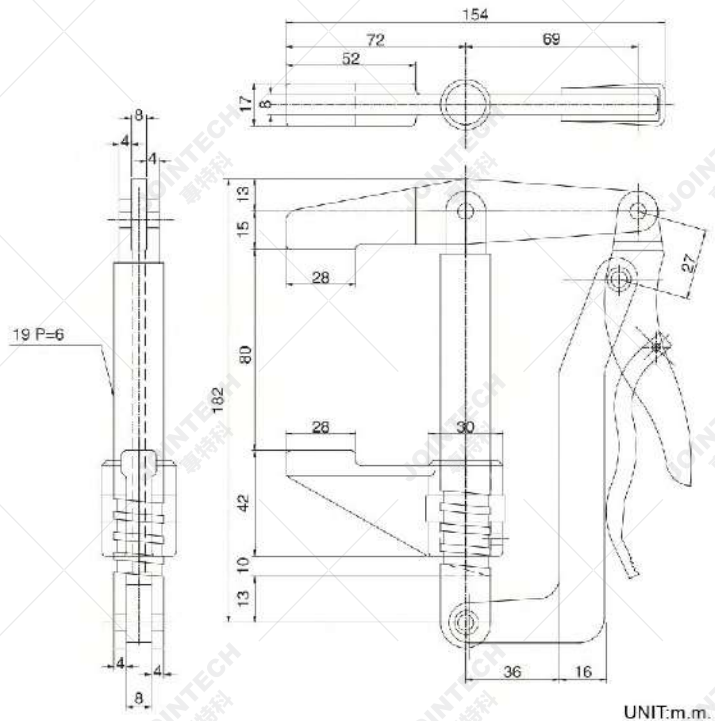


**GH-80070**

WEIGHT(自重) : 1032g  
 HOLDING CAPACITY(夾持力) : 200kg  
 PLUNGER STROKE(行程) : 85mm



GH-80070



UNIT:m.m.

**GH-80325 AND GH-80379**

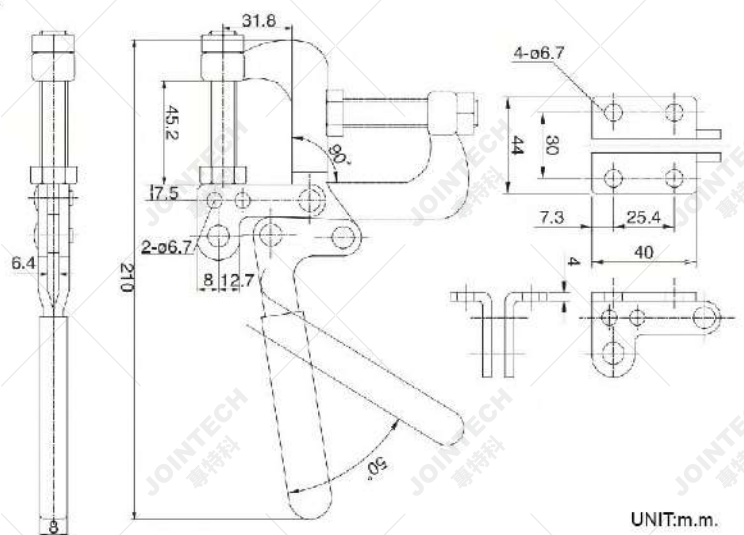
WEIGHT(自重) : 500g  
 HOLDING CAPACITY(夾持力) : 340kg  
 SPINDLE SUPPLIED(壓頭螺絲型號) : GH-SA-12212  
 HANDLE OPENS(手柄開啟角度) : 50°  
 JAW OPENS(開口打開) : 90°



GH-80325



GH-80379



UNIT:m.m.

**GH-70305 AND GH-70310 AND GH-70315**

**GH-70505 AND GH-70510 AND GH-70515**

**GH-70605 AND GH-70610 AND GH-70615**

These heavy-duty clamps provide the strong and durable function to meet the requirement of high precision repeatability for car manufacturing industry. Drop forged parts are accurately machined and equipped with hardened pivot pins and bushings. The clamps are fitted with hardened and ground bushes and pivot pins.



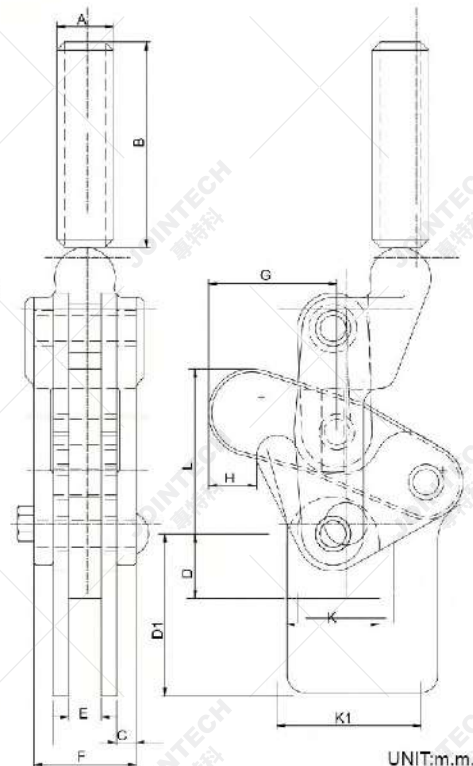
**GH-70310  
GH-70510  
GH-70610**



**GH-70315  
GH-70515  
GH-70615**



**GH-70305  
GH-70505  
GH-70605**



UNIT:m.m.

MODEL	WEIGHT(g)	HOLDING CAPACITY(kg)	AEM OPENS	HANDLE OPENS	ØA	B	C	D	D1	E	F	G	H	K	K1	L		
GH-70305	760	500	214°	134°	17.5	125	4.8	-	-	10	31.8	40	15	-	-	51		
GH-70310	850							20	50					-	-		29	45
GH-70315	940							50	50					-	-		-	-
GH-70505	1330	1000	206°	130°	22.2	125	4.8	-	-	12.3	40.3	57	26	-	-	73		
GH-70510	1490							28	63.5					-	-		38	51
GH-70515	1590							63.5	63.5					-	-		-	-
GH-70605	2550	2000	206°	130°	27	125	6.3	-	-	16	48.6	74.3	33	-	-	91		
GH-70610	2830							33	-					-	-		51	-
GH-70615	2950							76	76					-	-		-	63.5

**GH-70710 AND GH-71210 AND GH-72410**

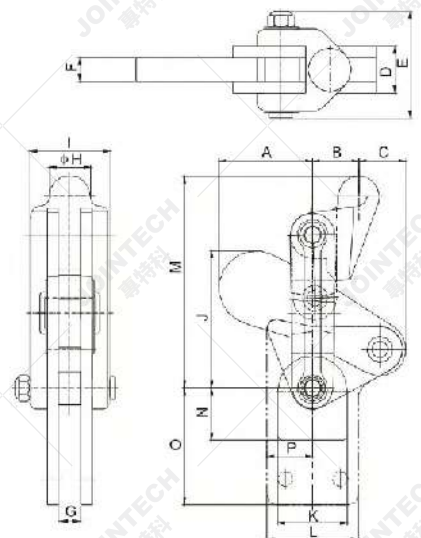
**GH-70715 AND GH-71215 AND GH-72415**



**GH-70710  
GH-71210  
GH-72410**



**GH-70715  
GH-71215  
GH-72415**



UNIT:m.m.

MODEL	WEIGHT(g)	HOLDING CAPACITY(kg)	BAR OPENS	HANDLE OPENS	A	B	C	D	E	F	G	ØH	I	J	K	L	M	N	O	P
GH-70710	700	700	205°	134°	40	23	16	20	51	10	10	20	38	52	29	-	94	20	-	25
GH-71210	1300	1200	195°	130°	57	25	24	24	58	12	12	22	45	73	38	-	113	28	-	40
GH-72410	2900	2400	195°	130°	72	35	26	32	66	16	16	30	53	91	52	-	144	33	-	60
GH-70715	800	700	205°	130°	40	23	16	20	51	10	10	20	38	52	-	45	94	-	50	25
GH-71215	1450	1200	195°	130°	57	124	24	24	58	12	12	22	45	73	-	50	113	-	63	40
GH-72415	3200	2400	195°	130°	72	163	26	32	66	16	16	30	53	91	-	63	144	-	76	60



GH-702-C AND GH-70201, GH-702-D, GH-70203

GH-702-K AND GH-701-C, GH-70101, GH-701-D

GH-70103 AND GH-701-K

FIXED HANDLE HOLDER  
(ONE PIECE FORGED)



GH-702-C  
GH-702-D  
GH-702-K



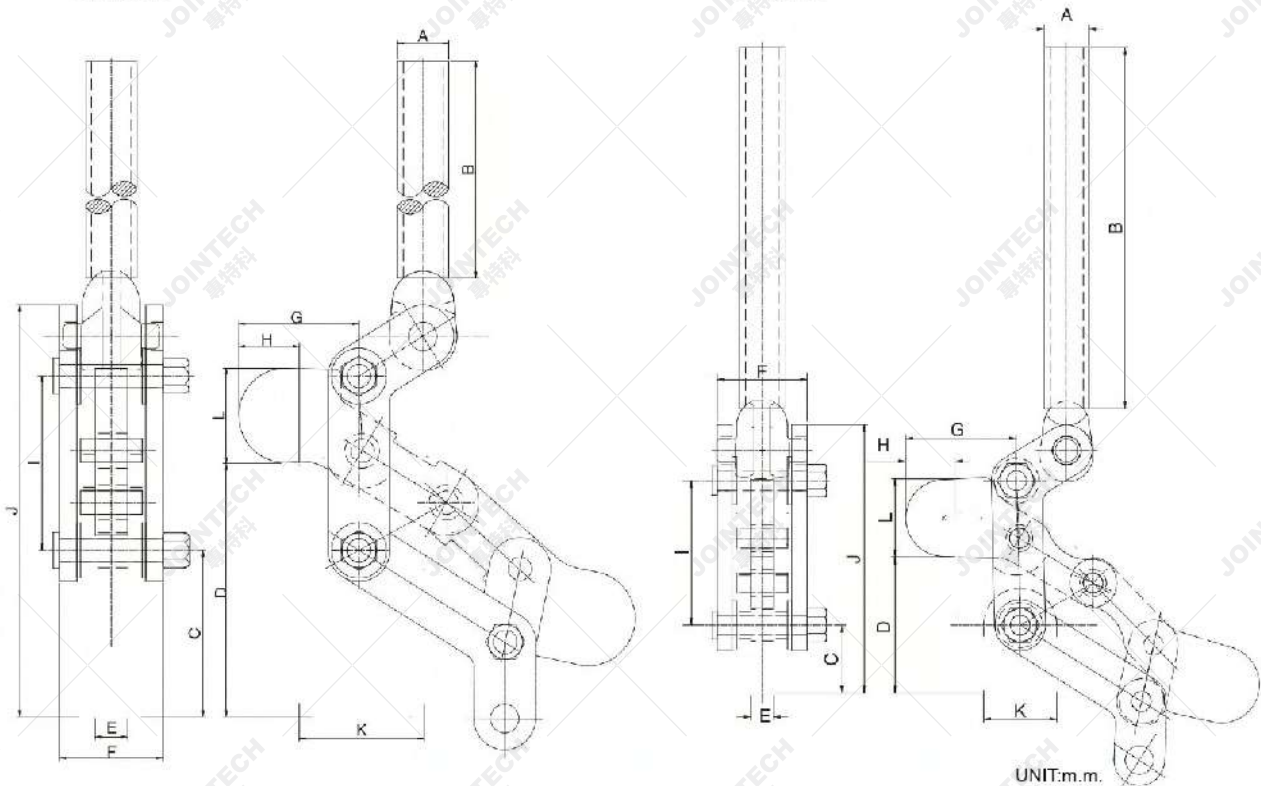
GH-70201  
GH-70203



GH-701-C  
GH-701-D  
GH-701-K



GH-70101  
GH-70103



UNIT:m.m.

MODEL	WEIGHT(g)	HOLDING CAPACITY(kg)	BAR OPENS	HANDLE OPENS	ØA	B	C	D	E	F	G	H	I	J	K	ØL
GH-702-C	680	200	194°	123°	17.3	152.4	23.8	48	8	31.8	40	17	50.8	93	26	28
GH-70201	680	200	194°	123°	17.3	152.4	23.8	48	8	31.8	40	17	50.8	93	26	28
GH-702-D	1470	500	191°	122°	21.7	152.4	33.7	69	13	42	48.8	24.6	70	132	36.4	39
GH-70203	1470	500	191°	122°	21.7	152.4	33.7	69	13	42	48.8	24.6	70	132	36.4	39
GH-702-K	2610	1000	197°	128°	27.2	152.4	37.2	84	16	46	53	25	90	167	54	52
GH-701-C	600	200	194°	123°	17.3	152.4	50	75.5	8	31.8	40	17	50.8	121	44.5	28
GH-70101	600	200	194°	123°	17.3	152.4	50	75.5	8	31.8	40	17	50.8	121	44.5	28
GH-701-D	1590	500	191°	122°	21.7	152.4	66.8	102	13	42	48.8	24.6	70	165	50	39
GH-70103	1590	500	191°	122°	21.7	152.4	66.8	102	13	42	48.8	24.6	70	165	50	39
GH-701-K	2650	1000	197°	128°	27.2	152.4	80	123	16	46	53	25	90	205	63	52

**GH-75027 AND GH-75027-SM**

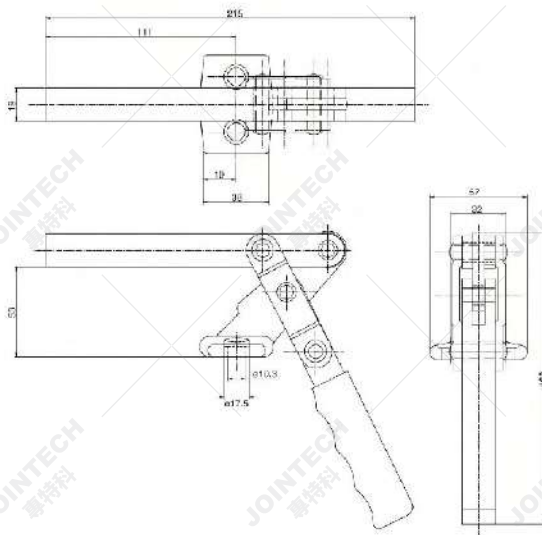
WEIGHT(自重) : 1140g  
 HOLDING CAPACITY(夾持力) : 450kg  
 BAR OPENS(壓把開啟角度) : 195°



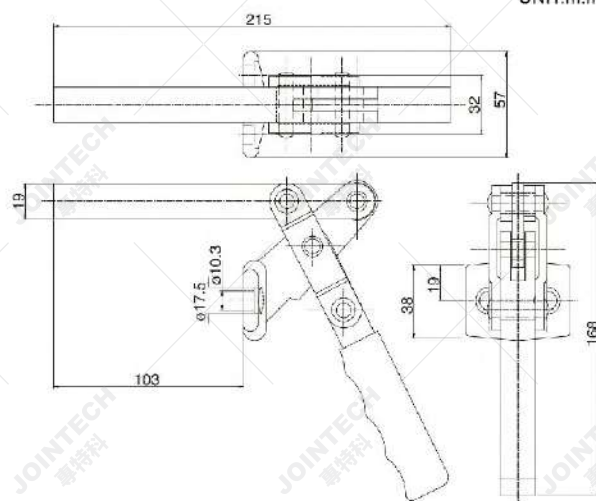
GH-75027



GH-75027-SM



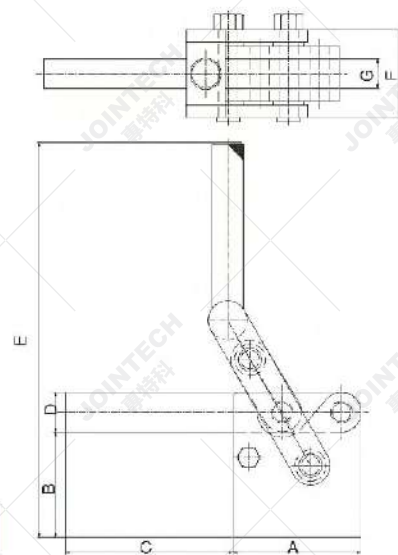
UNIT:m.m.



UNIT:m.m.

**GH-75048 AND GH-75078 AND GH-75088**

GH-75048



UNIT:m.m.

MODEL	WEIGHT(g)	HOLDING CAPACITY(kg)	BAR OPENS	HANDLE OPENS	ØA	B	C	D	E	F	G
GH-75048	2700	700	190°	125°	82.6	67.2	108	25.4	252	56	19
GH-75078	4300	1600	185°	120°	101.6	69.2	117.5	32	276	65.2	22.2
GH-75088	6500	2500	185°	120°	127	82.6	120	38	324	69.4	25.4



GH-70320 AND GH-70300T, GH-70300B, GH-70720

GH-70725 AND GH-71220, GH-71225, GH-72420

GH-72425 AND GH-70533



GH-70320



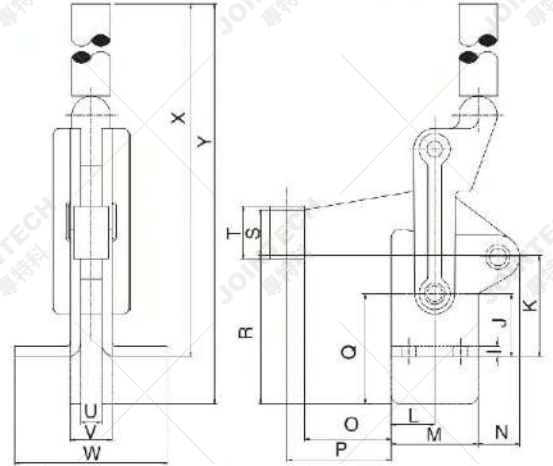
GH-70300T



GH-70720  
GH-71220  
GH-72420



GH-70725  
GH-71225  
GH-72425



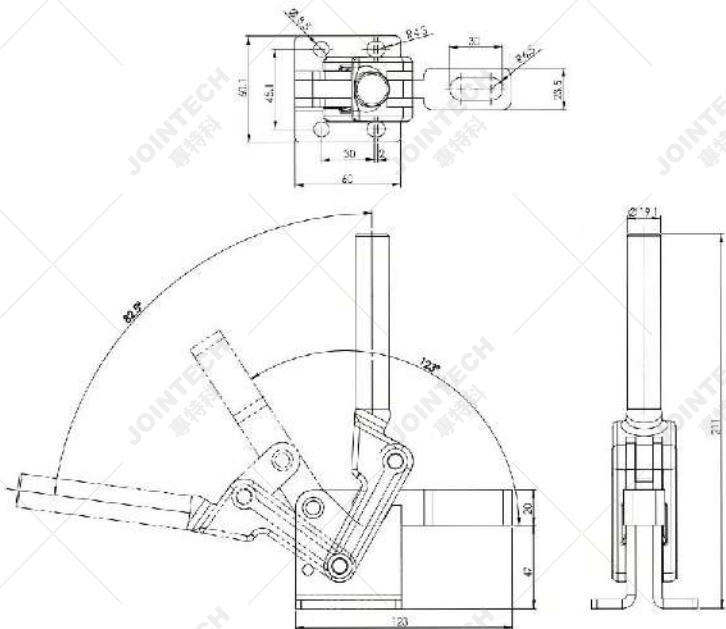
UNIT:m.m.

MODEL	GH-70320	GH-70300T	GH-70300B	GH-70720	GH-70725	GH-71220	GH-71225	GH-72420	GH-72425
WEIGHT(g)	290	250	310	1100	1250	1800	1950	3750	4100
HOLDING CAPACITY(kg)	300			700			1200		2400
BAR OPENS	210°			205°	180°	195°	180°	195°	
HANDLE OPENS	134°			130°	120°	130°	125°	130°	

MODEL	A	B	C	D	E	F	G	ØH	I	J	K	L	M	N	O	P	Q	R	S	T	U	V	W	X	Y	ØZ	
GH-70320	84	-	27	-	-	-	6.5	-	-	-	-	15	27	12	45	-	28	42	15	-	6	12	-	-	136	-	
GH-70300T	29	14	10	12	27	6	6	16	20	32	-	27	107	-	28	15	-	-	-	-	-	-	-	-	-	-	
GH-70300B	84	-	27	6	19	32	6.5	-	5	13	23	15	31	8	45	-	-	-	15	-	-	-	-	42	120	-	6.5
GH-70720	-	104	51	-	-	-	12.2	10	-	-	-	25	45	20	40	25	50	70	22	30	10	20	-	215	235	-	
GH-70725	124	25	51	10	25	50	12.2	10	5	28	48	25	45	20	40	25	-	-	22	30	-	-	67	215	235	8.3	
GH-71220	-	-	58	-	-	-	12.2	12	-	-	-	25	50	24	50	50	63	85	26	30	12	24	-	276	303	-	
GH-71225	144	35	58	10	30	60	12.2	12	6	36	58	25	50	24	50	50	-	-	26	30	-	-	88	276	303	8.3	
GH-72420	-	-	66	-	-	-	16.3	16	-	-	-	40	63	35	60	75	76	105	32	38	16	32	-	295	318	-	
GH-72425	188	-	66	12	40	75	16.3	16	8	46	70	40	63	35	60	75	-	-	32	38	-	-	105	295	318	10.3	



GH-70533



UNIT:m.m.

GH-70200A, GH-70730A, GH-71230A, GH-72430A

GH-70200B, GH-70730B, GH-71230B, GH-72430B

GH-70200A



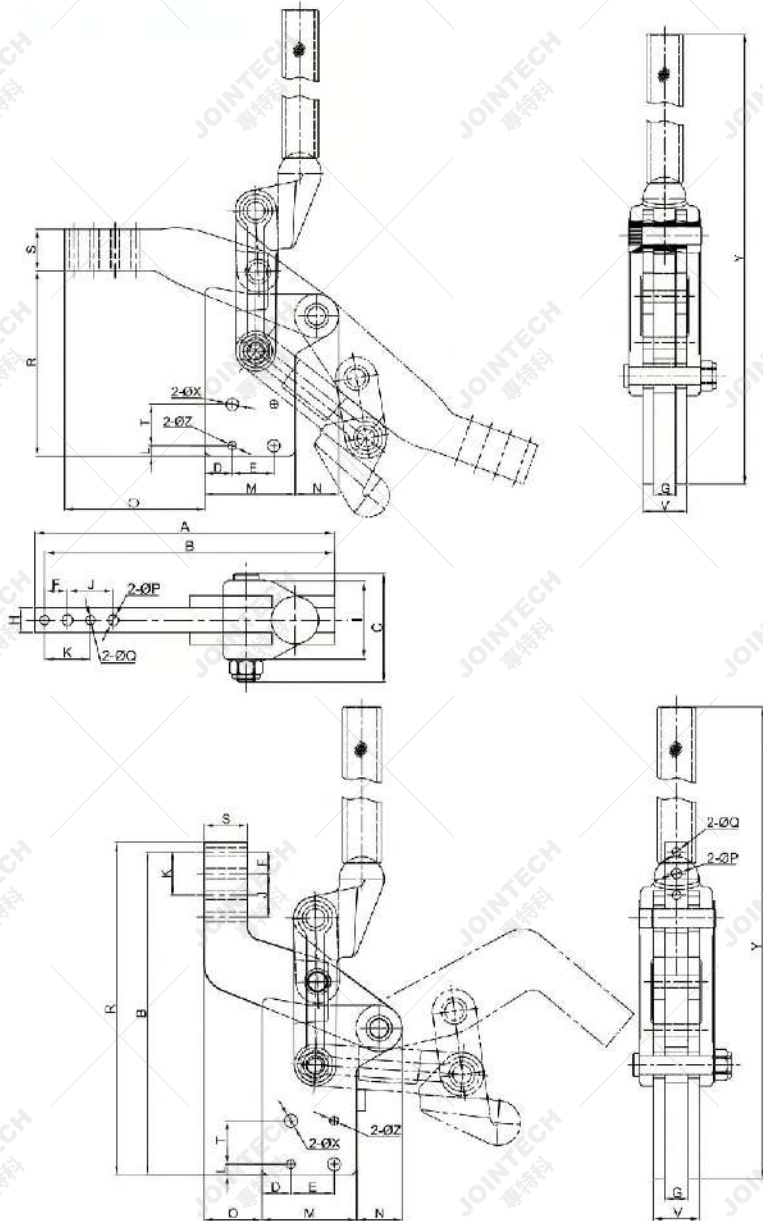
GH-70730A



GH-70200B



GH-70730B



MODEL	WEIGHT(g)	HOLDING CAPACITY(Kg)	BAR OPENS	HANDLE OPENS
GH-70200A	300	250	200°	128°
GH-70200B	300		130°	92°
GH-70730A	1280	700	200°	128°
GH-70730B	1280		130°	92°
GH-71230A	2120	1200	200°	128°
GH-71230B	2120		130°	92°
GH-72430A	3780	2400	200°	128°
GH-72430B	3780		130°	92°

UNIT:m.m.

MODEL	A	B	C	D	E	F	G	ØH	I	J	K	L	M	N	O	ØP	ØQ	R	S	T	V	ØX	Y	ØZ
GH-70200A	90.2	84	27	5.9	15	7.5	6	15	19	15	15	5	26.8	8.1	55.3	5.5	4	45	15	15	12	5.5	154	4
GH-70200B	53	95.1	27	5.9	15	7.5	6	15	19	15	15	5	26.8	8.1	18.1	5.5	4	101.3	15	15	12	5.5	154	4
GH-70730A	141	133	48	10.5	24	15	10	15	35	30	30	10	45	20	75.7	7	6	80	20	19	20	9	239	6
GH-70730B	81	158	48	10.5	24	15	10	15	35	30	30	10	45	20	15.7	7	6	166	20	19	20	9	239	6
GH-71230A	172.5	164.5	55	11.3	30	15	12	15	41.8	30	30	8	52.8	23	96.7	7	6	104	30	30	24	9	277.5	6
GH-71230B	109.5	196	55	11.3	30	15	12	15	41.8	30	30	8	52.8	23	33.7	7	6	203.5	30	30	24	9	277.5	6
GH-72430A	198.5	192	67.5	20	30	15	16	16	52	30	30	7.5	65.5	31.5	101.5	7	6	134.5	30	30	32	9	343	6
GH-72430B	137	223.5	67.5	20	30	15	16	16	52	30	30	7.5	65.5	31.5	40	7	6	230	30	30	32	9	343	6

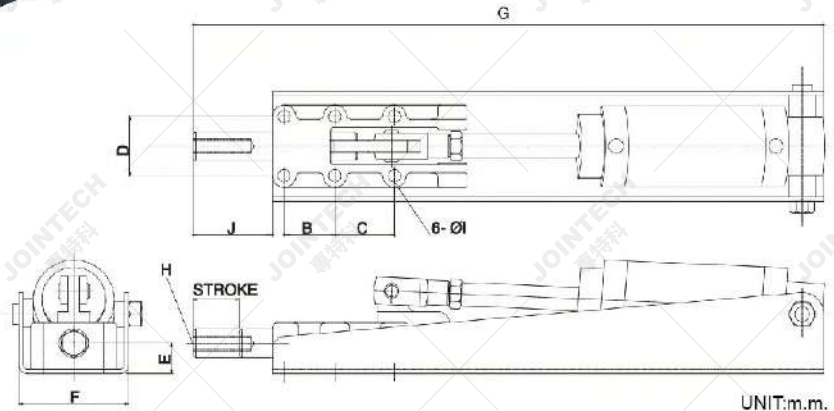


GH-30600HL-A AND GH-31200HL-A

GH-32500HL-A



GH-30600HL-A



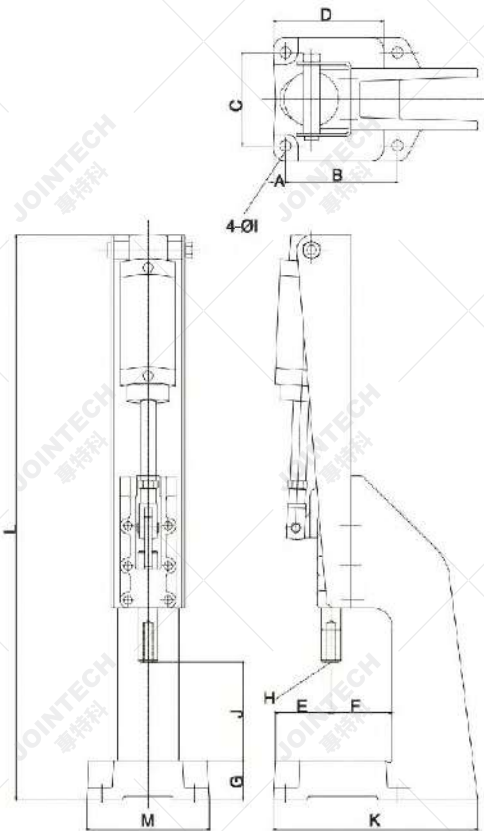
UNIT:m.m.

MODEL	WEIGHT(g)	HOLDING CAPACITY(kg)	SPINDLE SUPPLIED	PLUNGER STROKE	A	B	C	D	E	F	G	H	ØI	J
GH-30600HL-A	1450	600	GH-SA-086512	25	25	36.5	-	33.4	14	59	325	M8 P=1.25	5.5	41
GH-31200HL-A	3700	1200	GH-SA-107515	32	8	35	41	41	21	76	435	M10 P=1.5	8.5	55
GH-32500HL-A	7400	2500	GH-SA-127517	50	12	45	45	54	26	96	577	M12 P=1.75	10.3	102

GH-30600PR-A AND GH-31200PR-A

GH-32500PR-A

GH-30600PR-A



UNIT:m.m.

MODEL	WEIGHT(g)	HOLDING CAPACITY(kg)	SPINDLE SUPPLIED	HANDLE OPENS	PLUNGER STROKE	A	B	C	D	E	F	G	H	I	J	K	L	M
GH-30600PR-A	3600	600	GH-SA-086512	185°	32	10	95	80	94	49	52	32	M8 P=1.25	9	75	150	430	100
GH-31200PR-A	7350	1200	GH-SA-107515	185°	50	12.5	115	95	113	59	63	40	M10 P=1.5	11	100	192	575	120
GH-32500PR-A	17920	2500	GH-SA-127517	185°	75	12.5	145	125	139	63	79	54	M12 P=1.75	11	120	238	750	150

### GH-10101-A

HOLDING CAPACITY(夾持力) : 50kg

SPINDLE SUPPLIED

(壓頭螺絲型號) : GH-FC-10138

BAR OPENS(壓把開啟角度) : 82°



GH-10101-A

### GH-12050-A AND GH-12050-UA

HOLDING CAPACITY(夾持力) : 91kg

SPINDLE SUPPLIED

(壓頭螺絲型號) : GH-FC-14134

BAR OPENS(壓把開啟角度) : 92°



GH-12050-A

### GH-12130-A AND GH-12132-A

HOLDING CAPACITY(夾持力) : 227kg

SPINDLE SUPPLIED

(壓頭螺絲型號) : GH-FC-56212

BAR OPENS(壓把開啟角度) : 92°



GH-12130-A

### GH-12265-A AND GH-12275-A

HOLDING CAPACITY(夾持力) : 340kg

SPINDLE SUPPLIED

(壓頭螺絲型號) : GH-FC-38312

BAR OPENS(壓把開啟角度) : 86°



GH-12265-A



**GH-10247-A AND GH-10249-A**

HOLDING CAPACITY(夾持力) : 450kg  
 SPINDLE SUPPLIED  
 (壓頭螺絲型號) : GH-FC-12300  
 BAR OPENS(壓把開啟角度) : 95°



GH-10247-A



GH-10249-A

**GH-20820-A**

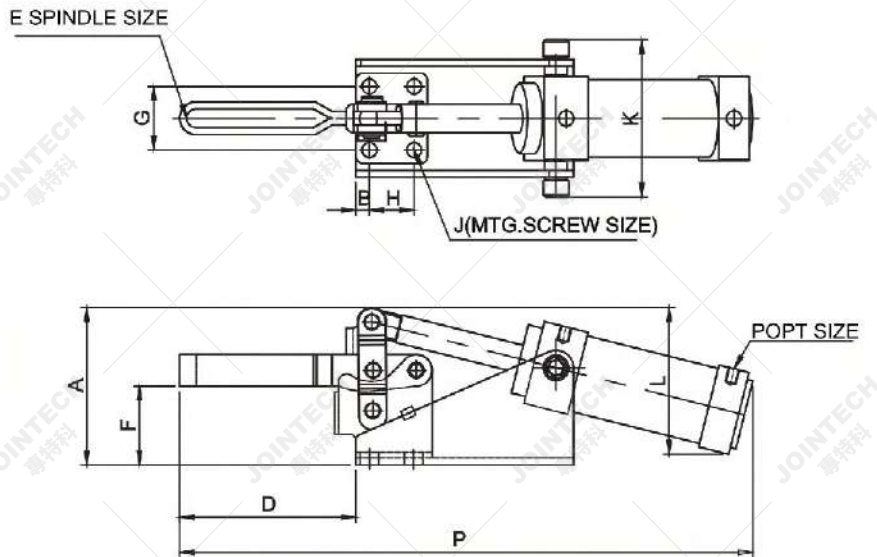
HOLDING CAPACITY(夾持力) : 100kg  
 SPINDLE SUPPLIED  
 (壓頭螺絲型號) : GH-FC-56212  
 BAR OPENS(壓把開啟角度) : 80°



GH-20820-A

**GH-20830-A**

HOLDING CAPACITY(夾持力) : 340kg  
 SPINDLE SUPPLIED  
 (壓頭螺絲型號) : GH-FC-38312  
 BAR OPENS(壓把開啟角度) : 79°



MODEL	BAR MOVES	PORT SIZE	WEIGHT(g)	P	A	B	D	E	F	G	H	J	K	L
GH-10101-A	82°	G1/8"	280	170	47.7	4.8	25.7	GH-FC-10138	21	23.8	15.9	4.5	52	55
GH-12050-(U)A	92°	G1/8"	620	185	57	6.3	35	GH-FC-14134	25.7	27	12.7	5.2	69	51
GH-12130-A	92°	G1/8"	900	246	75.4	11	68	GH-FC-56212	34.8	31.8	19	7.1	74	73
GH-12132-A	92°	G1/8"	900	270	75.4	11	92.6	GH-FC-56212	34.8	31.8	19	7.1	74	73
GH-12265-A	86°	G1/8"	1640	302	97	8.7	92	GH-FC-38312	47.2	45.2	31.8	8.7	98	92
GH-12275-A	86°	G1/8"	1800	308	97	8.7	91	GH-FC-38312	47.2	45.2	31.8	8.7	98	92
GH-10247-A	95°	G1/8"	3620	407	112	9.5	125.4	GH-SA-12300	56.1	45.2	31.8	8.7	112	104
GH-10249-A	95°	G1/8"	3640	407	112	9.5	125.4	GH-SA-12300	56.1	45.2	31.8	8.7	112	104
GH-20820-A	80°	G1/8"	1000	165	109.5	15	62	GH-FC-56212	70	25	16	6.7	67	195
GH-20830-A	79°	G1/8"	2060	216.6	149.5	9.25	82.9	GH-FC-38312	98.3	44.4	31.8	8.3	96	237

**GH-36301-A**

HOLDING CAPACITY(夾持力) : 45kg  
SPINDLE SUPPLIED  
(壓頭螺絲型號) : GH-SA-042007  
PLUNGER STROKE(行程) : 7.5mm



GH-36301-A

**GH-36003-A**

HOLDING CAPACITY(夾持力) : 272kg  
SPINDLE SUPPLIED  
(壓頭螺絲型號) : GH-SA-085012  
PLUNGER STROKE(行程) : 19.7mm



GH-36003-A

**GH-36330-A**

HOLDING CAPACITY(夾持力) : 1136kg  
SPINDLE SUPPLIED  
(壓頭螺絲型號) : GH-SA-105015  
PLUNGER STROKE(行程) : 28mm



GH-36330-A

**GH-305-EA**

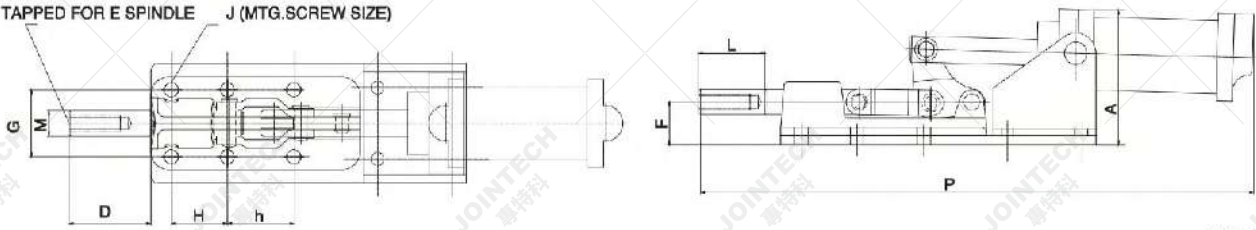
HOLDING CAPACITY(夾持力) : 386kg  
SPINDLE SUPPLIED  
(壓頭螺絲型號) : GH-SA-105015  
PLUNGER STROKE(行程) : 23.6mm



GH-305-EA



TAPPED FOR E SPINDLE J (MTG.SCREW SIZE)



UNIT:m.m.

**DIMENSIONS:**

MODEL	PORT SIZE	P	A	B	D	E	F	G	H	h	J	L	M
GH-36301-A	G1/8"	187	40	8.3	32.2	GH-SA-042007	13.6	15.9	15.9	-	4.4	12	6.4
GH-36003-A	G1/8"	250	69.5	7.1	58	GH-SA-085012	27.7	33.3	36.5	-	4.8	19.7	11.1
GH-36330-A	G1/8"	347	84	12.7	51.5	GH-SA-106515	26.6	41.3	34.9	41.3	8	30	15.9
GH-305-EA	G1/8"	306	77.2	9.5	75	GH-SA-126517	34.8	41.3	41.3	-	8.7	23.6	15.9

**GH-702-CA AND GH-702-DA AND GH-702-KA**

GH-702-DA



GH-702-CA

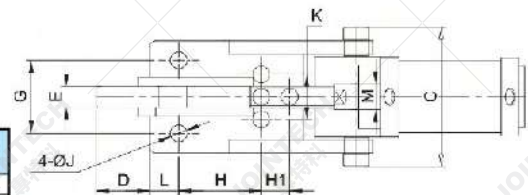
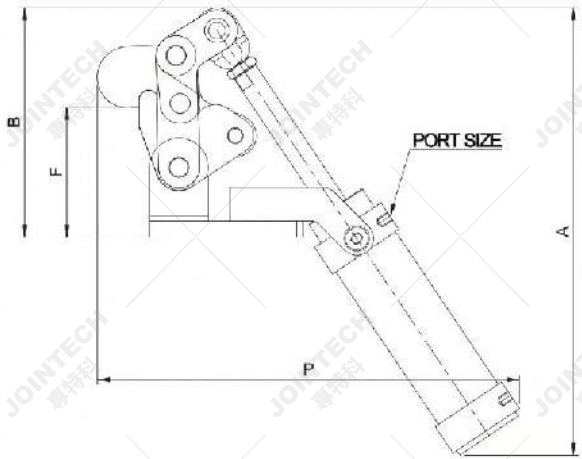
HOLDING CAPACITY(夾持力) : 200kg

GH-702-DA

HOLDING CAPACITY(夾持力) : 500kg

GH-702-KA

HOLDING CAPACITY(夾持力) : 1000kg



UNIT:m.m.

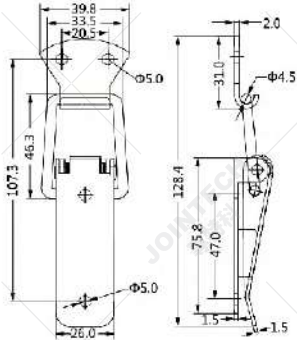
MODEL	PORT SIZE	WEIGHT(g)	BAR OPENS	P	A	B	C	D	E	F	ØJ	M	G	H	H1	K	L
GH-702-CA	G1/8"	1140	65°	236	158	103	80	27	8	56.4	8.5	12	41	30	20	-	15
GH-702-DA	G1/8"	3015	72°	263	277	142	93	34	13	81	11	16	58	60	-	36	20
GH-702-KA	G3/8"	6250	80°	416	360	175	126	33	16	90.4	12.4	20	60	65	45	50	20

**POWER CLAMP SPECIFICATIONS**

MODEL NO.	CYLINDER BORE (mm)	CYLINDER AREA (cm <sup>2</sup> )	MAXIMUM CYLINDER AIR PRESSURE (kg/cm <sup>2</sup> (PSI))	MAXIMUM HOLDING CAPACITY (kgs)
GH-10101-A	20	3.14	10 140	50
GH-12050-A	32	7.07	10 140	91
GH-12130-A	32	7.07	10 140	227
GH-12132-A	32	7.07	10 140	227
GH-12265-A	40	12.56	10 140	340
GH-12275-A	40	12.56	10 140	340
GH-10247-A	50	19.625	10 140	450
GH-20820-A	32	7.07	10 140	100

MODEL NO.	CYLINDER BORE (mm)	CYLINDER AREA (cm <sup>2</sup> )	MAXIMUM CYLINDER AIR PRESSURE (kg/cm <sup>2</sup> (PSI))	MAXIMUM HOLDING CAPACITY (kgs)
GH-10249-A	50	19.626	10 140	450
GH-36301-A	20	3.14	10 140	45
GH-36003-A	32	7.07	10 140	272
GH-36330-A	40	12.56	10 140	1136
GH-12265-A	32	12.56	10 140	386
GH-702-CA	32	7.07	10 140	200
GH-702-DA	40	12.56	10 140	500
GH-702-KA	63	31	10 140	1000

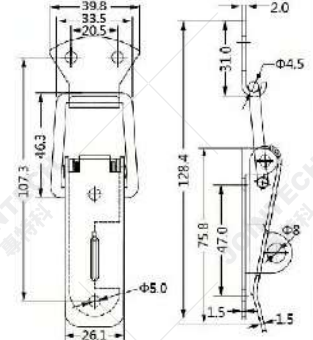
MODEL : J001



名称: 搭扣  
 材质: 铁/不锈钢  
 表面处理:  
 铁: 镀镍/镀锌/镀铬/电泳  
 不锈钢: 振光  
 产品净重: 87.4g  
 承重: 180kg  
 包装: 300套/箱  
 应用范围: 食品加工机、工业设备、防疫设备、医疗用品设备箱, 运输设备

Item: Toggle Latch  
 Material: Mild Steel/ Stainless Steel  
 Finish:  
 1. Nickel/zinc/chrome Plated For Mild Steel  
 2. Electrophoresis For Mild Steel  
 3. Tumbled For Stainless Steel  
 Net Weight: 87.4g  
 Bearing Capacity: 180kg  
 Packing: 300pcs/ctn  
 Application: Refrigerated Truck, Freezer Truck, Electric Cabinet, Electronic Communication Equipment

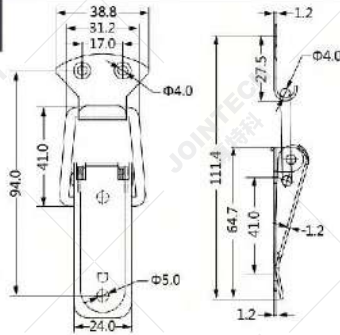
MODEL : J002



名称: 搭扣  
 材质: 铁/不锈钢  
 表面处理:  
 铁: 镀镍/镀锌/镀铬/电泳  
 不锈钢: 振光  
 产品净重: 85.8g  
 承重: 180kg  
 包装: 300套/箱  
 应用范围: 食品加工机、工业设备、防疫设备、医疗用品设备箱, 运输设备

Item: Toggle Latch  
 Material: Mild Steel/ Stainless Steel  
 Finish:  
 1. Nickel/zinc/chrome Plated For Mild Steel  
 2. Electrophoresis For Mild Steel  
 3. Tumbled For Stainless Steel  
 Net Weight: 85.8g  
 Bearing Capacity: 180kg  
 Packing: 300pcs/ctn  
 Application: Refrigerated Truck, Freezer Truck, Electric Cabinet, Electronic Communication Equipment

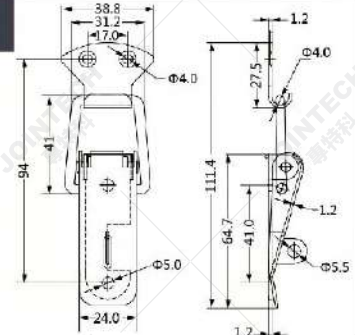
MODEL : J101



名称: 搭扣  
 材质: 铁/不锈钢  
 表面处理:  
 铁: 镀镍/镀锌/镀铬/电泳  
 不锈钢: 振光  
 产品净重: 55.3g  
 承重: 120kg  
 包装: 500套/箱  
 应用范围: 食品加工机、工业设备、防疫设备、医疗用品设备箱, 运输设备

Item: Toggle Latch  
 Material: Mild Steel/ Stainless Steel  
 Finish:  
 1. Nickel/zinc/chrome Plated For Mild Steel  
 2. Electrophoresis For Mild Steel  
 3. Tumbled For Stainless Steel  
 Net Weight: 55.3g  
 Bearing Capacity: 120kg  
 Packing: 500pcs/ctn  
 Application: Refrigerated Truck, Freezer Truck, Electric Cabinet, Electronic Communication Equipment

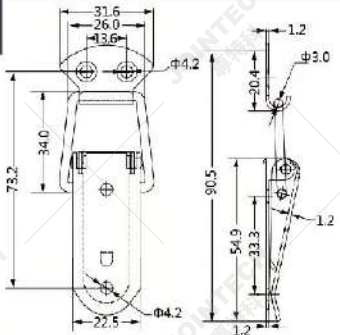
MODEL : J102



名称: 搭扣  
 材质: 铁/不锈钢  
 表面处理:  
 铁: 镀镍/镀锌/镀铬/电泳  
 不锈钢: 振光  
 产品净重: 55.3g  
 承重: 120kg  
 包装: 500套/箱  
 应用范围: 食品加工机、工业设备、防疫设备、医疗用品设备箱, 运输设备

Item: Toggle Latch  
 Material: Mild Steel/ Stainless Steel  
 Finish:  
 1. Nickel/zinc/chrome Plated For Mild Steel  
 2. Electrophoresis For Mild Steel  
 3. Tumbled For Stainless Steel  
 Net Weight: 55.3g  
 Bearing Capacity: 120kg  
 Packing: 500pcs/ctn  
 Application: Refrigerated Truck, Freezer Truck, Electric Cabinet, Electronic Communication Equipment

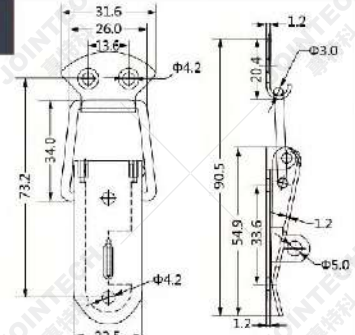
MODEL : J103



名称: 搭扣  
 材质: 铁/不锈钢  
 表面处理:  
 铁: 镀镍/镀锌/镀铬/电泳  
 不锈钢: 振光  
 产品净重: 35.7g  
 承重: 90kg  
 包装: 500套/箱  
 应用范围: 食品加工机、工业设备、防疫设备、医疗用品设备箱, 运输设备

Item: Toggle Latch  
 Material: Mild Steel/ Stainless Steel  
 Finish:  
 1. Nickel/zinc/chrome Plated For Mild Steel  
 2. Electrophoresis For Mild Steel  
 3. Tumbled For Stainless Steel  
 Net Weight: 35.7g  
 Bearing Capacity: 90kg  
 Packing: 500pcs/ctn  
 Application: Refrigerated Truck, Freezer Truck, Electric Cabinet, Electronic Communication Equipment

MODEL : J104

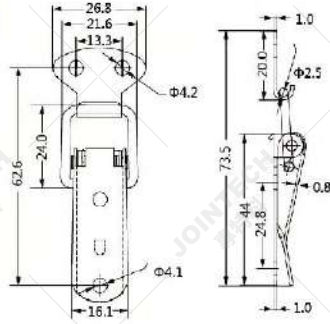


名称: 搭扣  
 材质: 铁/不锈钢  
 表面处理:  
 铁: 镀镍/镀锌/镀铬/电泳  
 不锈钢: 振光  
 产品净重: 34.4g  
 承重: 80kg  
 包装: 500套/箱  
 应用范围: 食品加工机、工业设备、防疫设备、医疗用品设备箱, 运输设备

Item: Toggle Latch  
 Material: Mild Steel/ Stainless Steel  
 Finish:  
 1. Nickel/zinc/chrome Plated For Mild Steel  
 2. Electrophoresis For Mild Steel  
 3. Tumbled For Stainless Steel  
 Net Weight: 34.4g  
 Bearing Capacity: 80kg  
 Packing: 500pcs/ctn  
 Application: Refrigerated Truck, Freezer Truck, Electric Cabinet, Electronic Communication Equipment



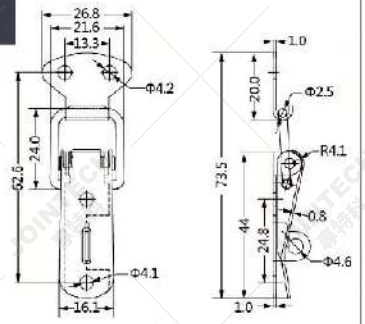
MODEL : J105



名称: 搭扣  
 材质: 铁/不锈钢  
 表面处理:  
 铁: 镀镍/镀锌/镀铬/电泳  
 不锈钢: 抛光  
 产品净重: 17.4g  
 承重: 60kg  
 包装: 1000套/箱  
 应用范围: 食品加工机、工业设备、防疫设备、医疗用品设备箱, 运输设备

Item: Toggle Latch  
 Material: Mild Steel/ Stainless Steel  
 Finish:  
 1. Nickel/zinc/chrome Plated For Mild Steel  
 2. Electrophoresis For Mild Steel  
 3. Tumbled For Stainless Steel  
 Net Weight: 17.4g  
 Bearing Capacity: 60kg  
 Packing: 1000pcs/ctn  
 Application: Refrigerated Truck; Freezer Truck; Electric Cabinet; Electronic Communication Equipment

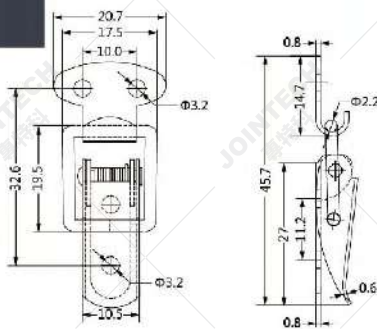
MODEL : J106



名称: 搭扣  
 材质: 铁/不锈钢  
 表面处理:  
 铁: 镀镍/镀锌/镀铬/电泳  
 不锈钢: 抛光  
 产品净重: 16.9g  
 承重: 60kg  
 包装: 1000套/箱  
 应用范围: 食品加工机、工业设备、防疫设备、医疗用品设备箱, 运输设备

Item: Toggle Latch  
 Material: Mild Steel/ Stainless Steel  
 Finish:  
 1. Nickel/zinc/chrome Plated For Mild Steel  
 2. Electrophoresis For Mild Steel  
 3. Tumbled For Stainless Steel  
 Net Weight: 16.9g  
 Bearing Capacity: 60kg  
 Packing: 1000pcs/ctn  
 Application: Refrigerated Truck; Freezer Truck; Electric Cabinet; Electronic Communication Equipment

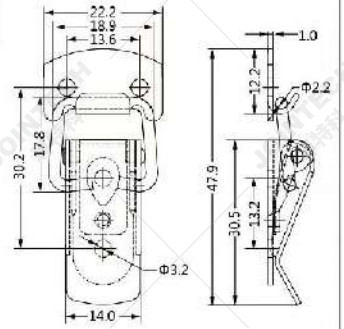
MODEL : J107



名称: 搭扣  
 材质: 铁/不锈钢  
 表面处理:  
 铁: 镀镍/镀锌/镀铬/电泳  
 不锈钢: 抛光  
 产品净重: 7.4g  
 承重: 30kg  
 包装: 2000套/箱  
 应用范围: 食品加工机、工业设备、防疫设备、医疗用品设备箱, 运输设备

Item: Toggle Latch  
 Material: Mild Steel/ Stainless Steel  
 Finish:  
 1. Nickel/zinc/chrome Plated For Mild Steel  
 2. Electrophoresis For Mild Steel  
 3. Tumbled For Stainless Steel  
 Net Weight: 7.4g  
 Bearing Capacity: 30kg  
 Packing: 2000pcs/ctn  
 Application: Refrigerated Truck; Freezer Truck; Electric Cabinet; Electronic Communication Equipment

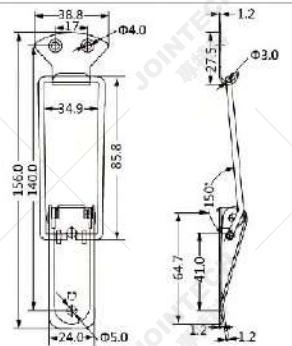
MODEL : J007



名称: 搭扣  
 材质: 铁/不锈钢  
 表面处理:  
 铁: 镀镍/镀锌/镀铬/电泳  
 不锈钢: 抛光  
 产品净重: 10.7g  
 承重: 40kg  
 包装: 2000套/箱  
 应用范围: 食品加工机、工业设备、防疫设备、医疗用品设备箱, 运输设备

Item: Toggle Latch  
 Material: Mild Steel/ Stainless Steel  
 Finish:  
 1. Nickel/zinc/chrome Plated For Mild Steel  
 2. Electrophoresis For Mild Steel  
 3. Tumbled For Stainless Steel  
 Net Weight: 10.7g  
 Bearing Capacity: 40kg  
 Packing: 2000pcs/ctn  
 Application: Refrigerated Truck; Freezer Truck; Electric Cabinet; Electronic Communication Equipment

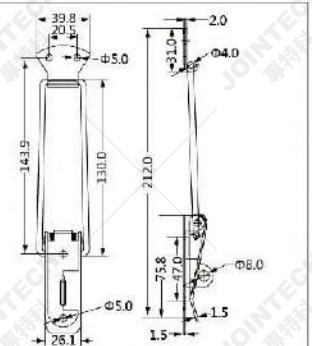
MODEL : J100



名称: 搭扣  
 材质: 铁/不锈钢  
 表面处理:  
 铁: 镀镍/镀锌/镀铬/电泳  
 不锈钢: 抛光  
 产品净重: 54.6g  
 承重: 40kg  
 包装: 500套/箱  
 应用范围: 食品加工机、工业设备、防疫设备、医疗用品设备箱, 运输设备

Item: Toggle Latch  
 Material: Mild Steel/ Stainless Steel  
 Finish:  
 1. Nickel/zinc/chrome Plated For Mild Steel  
 2. Electrophoresis For Mild Steel  
 3. Tumbled For Stainless Steel  
 Net Weight: 54.6g  
 Bearing Capacity: 40kg  
 Packing: 500pcs/ctn  
 Application: Refrigerated Truck; Freezer Truck; Electric Cabinet; Electronic Communication Equipment

MODEL : J012



名称: 搭扣  
 材质: 铁/不锈钢  
 表面处理:  
 铁: 镀镍/镀锌/镀铬/电泳  
 不锈钢: 抛光  
 产品净重: 97.2g  
 承重: 160kg  
 包装: 200套/箱  
 应用范围: 食品加工机、工业设备、防疫设备、医疗用品设备箱, 运输设备

Item: Toggle Latch  
 Material: Mild Steel/ Stainless Steel  
 Finish:  
 1. Nickel/zinc/chrome Plated For Mild Steel  
 2. Electrophoresis For Mild Steel  
 3. Tumbled For Stainless Steel  
 Net Weight: 97.2g  
 Bearing Capacity: 160kg  
 Packing: 200pcs/ctn  
 Application: Refrigerated Truck; Freezer Truck; Electric Cabinet; Electronic Communication Equipment



**MODEL : J110**

**名称:** 搭扣  
**材质:** 铁/不锈钢  
**表面处理:**  
 铁: 镀镍/镀锌/镀铬/电泳  
 不锈钢: 振光  
**产品净重:** 22.8g  
**承重:** 40kg  
**包装:** 500套/箱  
**应用范围:** 食品加工机、工业设备、防疫设备、医疗用品设备箱, 运输设备

**Item:** Toggle Latch  
**Material:** Mild Steel/ Stainless Steel  
**Finish:**  
 1. Nickel/zinc/chrome Plated For Mild Steel  
 2. Electrophoresis For Mild Steel  
 3. Tumbled For Stainless Steel  
**Net Weight:** 22.8g  
**Bearing Capacity:** 40kg  
**Packing:** 500pcs/ctn  
**Application:** Refrigerated Truck; Freezer Truck; Electric Cabinet; Electronic Communication Equipment

**MODEL : J111**

**名称:** 搭扣  
**材质:** 铁/不锈钢  
**表面处理:**  
 铁: 镀镍/镀锌/镀铬/电泳  
 不锈钢: 振光  
**产品净重:** 45.6g  
**承重:** 40kg  
**包装:** 500套/箱  
**应用范围:** 食品加工机、工业设备、防疫设备、医疗用品设备箱, 运输设备

**Item:** Toggle Latch  
**Material:** Mild Steel/ Stainless Steel  
**Finish:**  
 1. Nickel/zinc/chrome Plated For Mild Steel  
 2. Electrophoresis For Mild Steel  
 3. Tumbled For Stainless Steel  
**Net Weight:** 45.6g  
**Bearing Capacity:** 40kg  
**Packing:** 500pcs/ctn  
**Application:** Refrigerated Truck; Freezer Truck; Electric Cabinet; Electronic Communication Equipment

**MODEL : J112**

**名称:** 搭扣  
**材质:** 铁/不锈钢  
**表面处理:**  
 铁: 镀镍/镀锌/镀铬/电泳  
 不锈钢: 振光  
**产品净重:** 45.4g  
**承重:** 40kg  
**包装:** 500套/箱  
**应用范围:** 食品加工机、工业设备、防疫设备、医疗用品设备箱, 运输设备

**Item:** Toggle Latch  
**Material:** Mild Steel/ Stainless Steel  
**Finish:**  
 1. Nickel/zinc/chrome Plated For Mild Steel  
 2. Electrophoresis For Mild Steel  
 3. Tumbled For Stainless Steel  
**Net Weight:** 45.4g  
**Bearing Capacity:** 40kg  
**Packing:** 500pcs/ctn  
**Application:** Refrigerated Truck; Freezer Truck; Electric Cabinet; Electronic Communication Equipment

**MODEL : J113**

**名称:** 搭扣  
**材质:** 铁/不锈钢  
**表面处理:**  
 铁: 镀镍/镀锌/镀铬/电泳  
 不锈钢: 振光  
**产品净重:** 54g  
**承重:** 50kg  
**包装:** 400套/箱  
**应用范围:** 食品加工机、工业设备、防疫设备、医疗用品设备箱, 运输设备

**Item:** Toggle Latch  
**Material:** Mild Steel/ Stainless Steel  
**Finish:**  
 1. Nickel/zinc/chrome Plated For Mild Steel  
 2. Electrophoresis For Mild Steel  
 3. Tumbled For Stainless Steel  
**Net Weight:** 54g  
**Bearing Capacity:** 50kg  
**Packing:** 400pcs/ctn  
**Application:** Refrigerated Truck; Freezer Truck; Electric Cabinet; Electronic Communication Equipment

**MODEL : J113C**

**名称:** 搭扣  
**材质:** 铁/不锈钢  
**表面处理:**  
 铁: 镀镍/镀锌/镀铬/电泳  
 不锈钢: 振光  
**产品净重:** 46.7g  
**承重:** 50kg  
**包装:** 400套/箱  
**应用范围:** 食品加工机、工业设备、防疫设备、医疗用品设备箱, 运输设备

**Item:** Toggle Latch  
**Material:** Mild Steel/ Stainless Steel  
**Finish:**  
 1. Nickel/zinc/chrome Plated For Mild Steel  
 2. Electrophoresis For Mild Steel  
 3. Tumbled For Stainless Steel  
**Net Weight:** 46.7g  
**Bearing Capacity:** 50kg  
**Packing:** 400pcs/ctn  
**Application:** Refrigerated Truck; Freezer Truck; Electric Cabinet; Electronic Communication Equipment

**MODEL : J113D**

**名称:** 搭扣  
**材质:** 铁/不锈钢  
**表面处理:**  
 铁: 镀镍/镀锌/镀铬/电泳  
 不锈钢: 振光  
**产品净重:** 57.5g  
**承重:** 100kg  
**包装:** 400套/箱  
**应用范围:** 食品加工机、工业设备、防疫设备、医疗用品设备箱, 运输设备

**Item:** Toggle Latch  
**Material:** Mild Steel/ Stainless Steel  
**Finish:**  
 1. Nickel/zinc/chrome Plated For Mild Steel  
 2. Electrophoresis For Mild Steel  
 3. Tumbled For Stainless Steel  
**Net Weight:** 57.5g  
**Bearing Capacity:** 100kg  
**Packing:** 400pcs/ctn  
**Application:** Refrigerated Truck; Freezer Truck; Electric Cabinet; Electronic Communication Equipment



**MODEL : J115A**

**名称:** 搭扣  
**材质:** 铁/不锈钢  
**表面处理:**  
 铁: 镀镍/镀锌/镀铬/电泳  
 不锈钢: 振光  
**产品净重:** 17.7g  
**承重:** 20kg  
**包装:** 1000套/箱  
**应用范围:** 食品加工机、工业设备、防疫设备、医疗用品设备箱, 运输设备

**Item:** Toggle Latch  
**Material:** Mild Steel/ Stainless Steel  
**Finish:**  
 1. Nickel/zinc/chrome Plated For Mild Steel  
 2. Electrophoresis For Mild Steel  
 3. Tumbled For Stainless Steel  
**Net Weight:** 17.7g  
**Bearing Capacity:** 20kg  
**Packing:** 1000pcs/ctn  
**Application:** Refrigerated Truck; Freezer Truck; Electric Cabinet; Electronic Communication Equipment

**MODEL : J115B**

**名称:** 搭扣  
**材质:** 铁/不锈钢  
**表面处理:**  
 铁: 镀镍/镀锌/镀铬/电泳  
 不锈钢: 振光  
**产品净重:** 16.6g  
**承重:** 30kg  
**包装:** 1000套/箱  
**应用范围:** 食品加工机、工业设备、防疫设备、医疗用品设备箱, 运输设备

**Item:** Toggle Latch  
**Material:** Mild Steel/ Stainless Steel  
**Finish:**  
 1. Nickel/zinc/chrome Plated For Mild Steel  
 2. Electrophoresis For Mild Steel  
 3. Tumbled For Stainless Steel  
**Net Weight:** 16.6g  
**Bearing Capacity:** 30kg  
**Packing:** 1000pcs/ctn  
**Application:** Refrigerated Truck; Freezer Truck; Electric Cabinet; Electronic Communication Equipment

**MODEL : J115C**

**名称:** 搭扣  
**材质:** 铁/不锈钢  
**表面处理:**  
 铁: 镀镍/镀锌/镀铬/电泳  
 不锈钢: 振光  
**产品净重:** 16.1g  
**承重:** 70kg  
**包装:** 1000套/箱  
**应用范围:** 食品加工机、工业设备、防疫设备、医疗用品设备箱, 运输设备

**Item:** Toggle Latch  
**Material:** Mild Steel/ Stainless Steel  
**Finish:**  
 1. Nickel/zinc/chrome Plated For Mild Steel  
 2. Electrophoresis For Mild Steel  
 3. Tumbled For Stainless Steel  
**Net Weight:** 16.1g  
**Bearing Capacity:** 70kg  
**Packing:** 1000pcs/ctn  
**Application:** Refrigerated Truck; Freezer Truck; Electric Cabinet; Electronic Communication Equipment

**MODEL : J116**

**名称:** 搭扣  
**材质:** 铁/不锈钢  
**表面处理:**  
 铁: 镀镍/镀锌/镀铬/电泳  
 不锈钢: 振光  
**产品净重:** 20.1g  
**承重:** 60kg  
**包装:** 1000套/箱  
**应用范围:** 食品加工机、工业设备、防疫设备、医疗用品设备箱, 运输设备

**Item:** Toggle Latch  
**Material:** Mild Steel/ Stainless Steel  
**Finish:**  
 1. Nickel/zinc/chrome Plated For Mild Steel  
 2. Electrophoresis For Mild Steel  
 3. Tumbled For Stainless Steel  
**Net Weight:** 20.1g  
**Bearing Capacity:** 60kg  
**Packing:** 1000pcs/ctn  
**Application:** Refrigerated Truck; Freezer Truck; Electric Cabinet; Electronic Communication Equipment

**MODEL : J117**

**名称:** 搭扣  
**材质:** 铁/不锈钢  
**表面处理:**  
 铁: 镀镍/镀锌/镀铬/电泳  
 不锈钢: 振光  
**产品净重:** 12.6g  
**承重:** 40kg  
**包装:** 1500套/箱  
**应用范围:** 食品加工机、工业设备、防疫设备、医疗用品设备箱, 运输设备

**Item:** Toggle Latch  
**Material:** Mild Steel/ Stainless Steel  
**Finish:**  
 1. Nickel/zinc/chrome Plated For Mild Steel  
 2. Electrophoresis For Mild Steel  
 3. Tumbled For Stainless Steel  
**Net Weight:** 12.6g  
**Bearing Capacity:** 40kg  
**Packing:** 1500pcs/ctn  
**Application:** Refrigerated Truck; Freezer Truck; Electric Cabinet; Electronic Communication Equipment

**MODEL : J118**

**名称:** 搭扣  
**材质:** 铁/不锈钢  
**表面处理:**  
 铁: 镀镍/镀锌/镀铬/电泳  
 不锈钢: 振光  
**产品净重:** 16.1g  
**承重:** 50kg  
**包装:** 1000套/箱  
**应用范围:** 食品加工机、工业设备、防疫设备、医疗用品设备箱, 运输设备

**Item:** Toggle Latch  
**Material:** Mild Steel/ Stainless Steel  
**Finish:**  
 1. Nickel/zinc/chrome Plated For Mild Steel  
 2. Electrophoresis For Mild Steel  
 3. Tumbled For Stainless Steel  
**Net Weight:** 16.1g  
**Bearing Capacity:** 50kg  
**Packing:** 1000pcs/ctn  
**Application:** Refrigerated Truck; Freezer Truck; Electric Cabinet; Electronic Communication Equipment



**MODEL : J120**

**名称:** 搭扣  
**材质:** 铁/不锈钢  
**表面处理:**  
 铁: 镀镍/镀锌/镀铬/电泳  
 不锈钢: 振光  
**产品净重:** 4.9g  
**承重:** 10kg  
**包装:** 3000套/箱  
**应用范围:** 食品加工机、工业设备、防疫设备、医疗用品设备箱, 运输设备

**Item:** Toggle Latch  
**Material:** Mild Steel/ Stainless Steel  
**Finish:**  
 1. Nickel/zinc/chrome Plated For Mild Steel  
 2. Electrophoresis For Mild Steel  
 3. Tumbled For Stainless Steel  
**Net Weight:** 4.9g  
**Bearing Capacity:** 10kg  
**Packing:** 3000pcs/ctn  
**Application:** Refrigerated Truckle; Freezer Truck; Electric Cabinet; Electronic Communication Equipment

**MODEL : J123**

**名称:** 搭扣  
**材质:** 铁/不锈钢  
**表面处理:**  
 铁: 镀镍/镀锌/镀铬/电泳  
 不锈钢: 振光  
**产品净重:** 36.1g  
**承重:** 80kg  
**包装:** 500套/箱  
**应用范围:** 食品加工机、工业设备、防疫设备、医疗用品设备箱, 运输设备

**Item:** Toggle Latch  
**Material:** Mild Steel/ Stainless Steel  
**Finish:**  
 1. Nickel/zinc/chrome Plated For Mild Steel  
 2. Electrophoresis For Mild Steel  
 3. Tumbled For Stainless Steel  
**Net Weight:** 36.1g  
**Bearing Capacity:** 80kg  
**Packing:** 500pcs/ctn  
**Application:** Refrigerated Truckle; Freezer Truck; Electric Cabinet; Electronic Communication Equipment

**MODEL : J301**

**名称:** 搭扣  
**材质:** 铁/不锈钢  
**表面处理:**  
 铁: 镀镍/镀锌/镀铬/电泳  
 不锈钢: 振光  
**产品净重:** 34g  
**承重:** 40kg  
**包装:** 500套/箱  
**应用范围:** 食品加工机、工业设备、防疫设备、医疗用品设备箱, 运输设备

**Item:** Toggle Latch  
**Material:** Mild Steel/ Stainless Steel  
**Finish:**  
 1. Nickel/zinc/chrome Plated For Mild Steel  
 2. Electrophoresis For Mild Steel  
 3. Tumbled For Stainless Steel  
**Net Weight:** 34g  
**Bearing Capacity:** 40kg  
**Packing:** 500pcs/ctn  
**Application:** Refrigerated Truckle; Freezer Truck; Electric Cabinet; Electronic Communication Equipment

**MODEL : J301C**

**名称:** 搭扣  
**材质:** 铁/不锈钢  
**表面处理:**  
 铁: 镀镍/镀锌/镀铬/电泳  
 不锈钢: 振光  
**产品净重:** 29g  
**承重:** 40kg  
**包装:** 500套/箱  
**应用范围:** 食品加工机、工业设备、防疫设备、医疗用品设备箱, 运输设备

**Item:** Toggle Latch  
**Material:** Mild Steel/ Stainless Steel  
**Finish:**  
 1. Nickel/zinc/chrome Plated For Mild Steel  
 2. Electrophoresis For Mild Steel  
 3. Tumbled For Stainless Steel  
**Net Weight:** 29g  
**Bearing Capacity:** 40kg  
**Packing:** 500pcs/ctn  
**Application:** Refrigerated Truckle; Freezer Truck; Electric Cabinet; Electronic Communication Equipment

**MODEL : J302**

**名称:** 搭扣  
**材质:** 铁/不锈钢  
**表面处理:**  
 铁: 镀镍/镀锌/镀铬/电泳  
 不锈钢: 振光  
**产品净重:** 78g  
**承重:** 120kg  
**包装:** 300套/箱  
**应用范围:** 食品加工机、工业设备、防疫设备、医疗用品设备箱, 运输设备

**Item:** Toggle Latch  
**Material:** Mild Steel/ Stainless Steel  
**Finish:**  
 1. Nickel/zinc/chrome Plated For Mild Steel  
 2. Electrophoresis For Mild Steel  
 3. Tumbled For Stainless Steel  
**Net Weight:** 78g  
**Bearing Capacity:** 120kg  
**Packing:** 300pcs/ctn  
**Application:** Refrigerated Truckle; Freezer Truck; Electric Cabinet; Electronic Communication Equipment

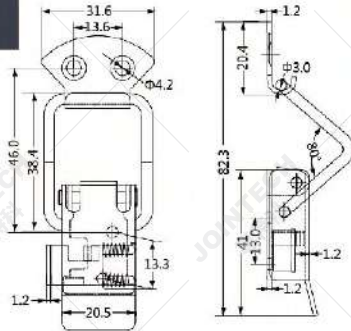
**MODEL : J303**

**名称:** 搭扣  
**材质:** 铁/不锈钢  
**表面处理:**  
 铁: 镀镍/镀锌/镀铬/电泳  
 不锈钢: 振光  
**产品净重:** 30.9g  
**承重:** 50kg  
**包装:** 500套/箱  
**应用范围:** 食品加工机、工业设备、防疫设备、医疗用品设备箱, 运输设备

**Item:** Toggle Latch  
**Material:** Mild Steel/ Stainless Steel  
**Finish:**  
 1. Nickel/zinc/chrome Plated For Mild Steel  
 2. Electrophoresis For Mild Steel  
 3. Tumbled For Stainless Steel  
**Net Weight:** 30.9g  
**Bearing Capacity:** 50kg  
**Packing:** 500pcs/ctn  
**Application:** Refrigerated Truckle; Freezer Truck; Electric Cabinet; Electronic Communication Equipment



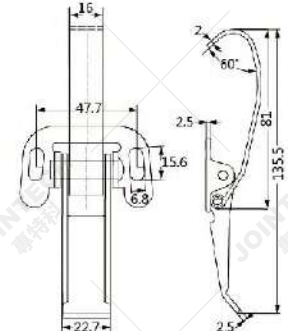
MODEL : J321



名称：搭扣  
 材质：铁/不锈钢  
 表面处理：  
 铁：镀镍/镀锌/镀铬/电泳  
 不锈钢：抛光  
 产品净重：34g  
 承重：50kg  
 包装：500套/箱  
 应用范围：食品加工机、工业设备、防疫设备、医疗用品设备箱，运输设备

Item: Toggle Latch  
 Material: Mild Steel/ Stainless Steel  
 Finish:  
 1. Nickel/zinc/chrome Plated For Mild Steel  
 2. Electrophoresis For Mild Steel  
 3. Tumbled For Stainless Steel  
 Net Weight: 34g  
 Bearing Capacity: 50kg  
 Packing: 500pcs/ctn  
 Application: Refrigerated Truck; Freezer Truck; Electric Cabinet; Electronic Communication Equipment

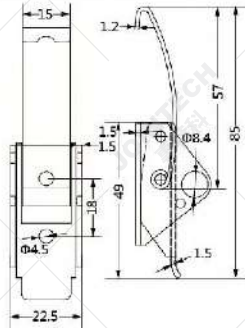
MODEL : J502



名称：搭扣  
 材质：铁/不锈钢  
 表面处理：  
 铁：镀镍/镀锌/镀铬/电泳  
 不锈钢：抛光  
 产品净重：100g  
 承重：60kg  
 包装：200套/箱  
 应用范围：食品加工机、工业设备、防疫设备、医疗用品设备箱，运输设备

Item: Toggle Latch  
 Material: Mild Steel/ Stainless Steel  
 Finish:  
 1. Nickel/zinc/chrome Plated For Mild Steel  
 2. Electrophoresis For Mild Steel  
 3. Tumbled For Stainless Steel  
 Net Weight: 100g  
 Bearing Capacity: 60kg  
 Packing: 200pcs/ctn  
 Application: Refrigerated Truck; Freezer Truck; Electric Cabinet; Electronic Communication Equipment

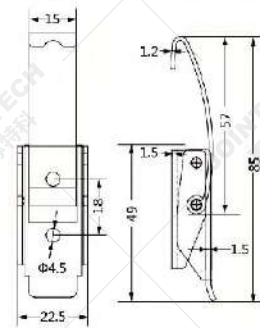
MODEL : J503



名称：搭扣  
 材质：铁/不锈钢  
 表面处理：  
 铁：镀镍/镀锌/镀铬/电泳  
 不锈钢：抛光  
 产品净重：44.2g  
 承重：20kg  
 包装：400套/箱  
 应用范围：食品加工机、工业设备、防疫设备、医疗用品设备箱，运输设备

Item: Toggle Latch  
 Material: Mild Steel/ Stainless Steel  
 Finish:  
 1. Nickel/zinc/chrome Plated For Mild Steel  
 2. Electrophoresis For Mild Steel  
 3. Tumbled For Stainless Steel  
 Net Weight: 44.2g  
 Bearing Capacity: 20kg  
 Packing: 400pcs/ctn  
 Application: Refrigerated Truck; Freezer Truck; Electric Cabinet; Electronic Communication Equipment

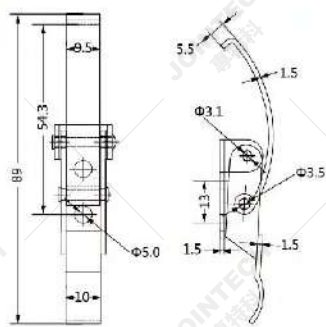
MODEL : J504



名称：搭扣  
 材质：铁/不锈钢  
 表面处理：  
 铁：镀镍/镀锌/镀铬/电泳  
 不锈钢：抛光  
 产品净重：39.8g  
 承重：20kg  
 包装：500套/箱  
 应用范围：食品加工机、工业设备、防疫设备、医疗用品设备箱，运输设备

Item: Toggle Latch  
 Material: Mild Steel/ Stainless Steel  
 Finish:  
 1. Nickel/zinc/chrome Plated For Mild Steel  
 2. Electrophoresis For Mild Steel  
 3. Tumbled For Stainless Steel  
 Net Weight: 39.8g  
 Bearing Capacity: 20kg  
 Packing: 500pcs/ctn  
 Application: Refrigerated Truck; Freezer Truck; Electric Cabinet; Electronic Communication Equipment

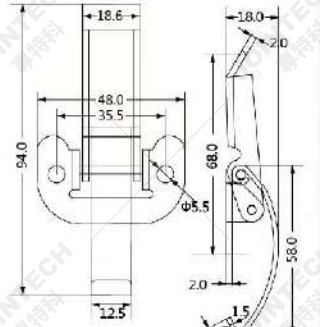
MODEL : J505



名称：搭扣  
 材质：铁/不锈钢  
 表面处理：  
 铁：镀镍/镀锌/镀铬/电泳  
 不锈钢：抛光  
 产品净重：26.8g  
 承重：20kg  
 包装：500套/箱  
 应用范围：食品加工机、工业设备、防疫设备、医疗用品设备箱，运输设备

Item: Toggle Latch  
 Material: Mild Steel/ Stainless Steel  
 Finish:  
 1. Nickel/zinc/chrome Plated For Mild Steel  
 2. Electrophoresis For Mild Steel  
 3. Tumbled For Stainless Steel  
 Net Weight: 26.8g  
 Bearing Capacity: 20kg  
 Packing: 500pcs/ctn  
 Application: Refrigerated Truck; Freezer Truck; Electric Cabinet; Electronic Communication Equipment

MODEL : J506



名称：搭扣  
 材质：铁/不锈钢  
 表面处理：  
 铁：镀镍/镀锌/镀铬/电泳  
 不锈钢：抛光  
 产品净重：45.5g  
 承重：80kg  
 包装：500套/箱  
 应用范围：食品加工机、工业设备、防疫设备、医疗用品设备箱，运输设备

Item: Toggle Latch  
 Material: Mild Steel/ Stainless Steel  
 Finish:  
 1. Nickel/zinc/chrome Plated For Mild Steel  
 2. Electrophoresis For Mild Steel  
 3. Tumbled For Stainless Steel  
 Net Weight: 45.5g  
 Bearing Capacity: 80kg  
 Packing: 500pcs/ctn  
 Application: Refrigerated Truck; Freezer Truck; Electric Cabinet; Electronic Communication Equipment



**MODEL : J008**

名称：搭扣  
 材质：铁/不锈钢  
 表面处理：  
 铁：镀镍/镀锌/镀铬/电泳  
 不锈钢：抛光  
 产品净重：80.2g  
 承重：80kg  
 包装：300套/箱  
 应用范围：工业设备、运输设备、机械  
 设备；便捷冰箱、冰柜

Item: Toggle Latch  
 Material: Mild Steel/ Stainless Steel  
 Finish:  
 1. Nickel/zinc/chrome Plated For Mild Steel  
 2. Electrophoresis For Mild Steel  
 3. Tumbled For Stainless Steel  
 Net Weight: 80.2g  
 Bearing Capacity: 80kg  
 Packing: 300pcs/ctn  
 Application: industrial machine, freezer, musical instrument

**MODEL : J008A/J018A**

名称：搭扣  
 材质：铁/不锈钢  
 表面处理：  
 铁：镀镍/镀锌/镀铬/电泳  
 不锈钢：抛光  
 产品净重：85.8g  
 承重：80kg  
 包装：300套/箱  
 应用范围：工业设备、运输设备、机械  
 设备；便捷冰箱、冰柜

Item: Toggle Latch  
 Material: Mild Steel/ Stainless Steel  
 Finish:  
 1. Nickel/zinc/chrome Plated For Mild Steel  
 2. Electrophoresis For Mild Steel  
 3. Tumbled For Stainless Steel  
 Net Weight: 85.8g  
 Bearing Capacity: 80kg  
 Packing: 300pcs/ctn  
 Application: industrial machine, freezer, musical instrument

**MODEL : J018**

名称：搭扣  
 材质：铁/不锈钢  
 表面处理：  
 铁：镀镍/镀锌/镀铬/电泳  
 不锈钢：抛光  
 产品净重：79.6g  
 承重：80kg  
 包装：300套/箱  
 应用范围：工业设备、运输设备、机械  
 设备；便捷冰箱、冰柜

Item: Toggle Latch  
 Material: Mild Steel/ Stainless Steel  
 Finish:  
 1. Nickel/zinc/chrome Plated For Mild Steel  
 2. Electrophoresis For Mild Steel  
 3. Tumbled For Stainless Steel  
 Net Weight: 79.6g  
 Bearing Capacity: 80kg  
 Packing: 300pcs/ctn  
 Application: industrial machine, freezer, musical instrument

**MODEL : J108**

名称：搭扣  
 材质：铁/不锈钢  
 表面处理：  
 铁：镀镍/镀锌/镀铬/电泳  
 不锈钢：抛光  
 产品净重：34g  
 承重：50kg  
 包装：500套/箱  
 应用范围：工业设备、运输设备、机械  
 设备；便捷冰箱、冰柜

Item: Toggle Latch  
 Material: Mild Steel/ Stainless Steel  
 Finish:  
 1. Nickel/zinc/chrome Plated For Mild Steel  
 2. Electrophoresis For Mild Steel  
 3. Tumbled For Stainless Steel  
 Net Weight: 34g  
 Bearing Capacity: 50kg  
 Packing: 500pcs/ctn  
 Application: industrial machine, freezer, musical instrument

**MODEL : J108B**

名称：搭扣  
 材质：铁/不锈钢  
 表面处理：  
 铁：镀镍/镀锌/镀铬/电泳  
 不锈钢：抛光  
 产品净重：34.1g  
 承重：50kg  
 包装：500套/箱  
 应用范围：工业设备、运输设备、机械  
 设备；便捷冰箱、冰柜

Item: Toggle Latch  
 Material: Mild Steel/ Stainless Steel  
 Finish:  
 1. Nickel/zinc/chrome Plated For Mild Steel  
 2. Electrophoresis For Mild Steel  
 3. Tumbled For Stainless Steel  
 Net Weight: 34.1g  
 Bearing Capacity: 50kg  
 Packing: 500pcs/ctn  
 Application: industrial machine, freezer, musical instrument

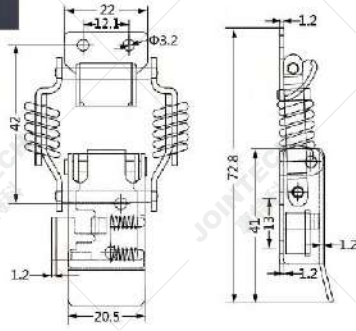
**MODEL : J119**

名称：搭扣  
 材质：铁/不锈钢  
 表面处理：  
 铁：镀镍/镀锌/镀铬/电泳  
 不锈钢：抛光  
 产品净重：37.5g  
 承重：50kg  
 包装：500套/箱  
 应用范围：工业设备、运输设备、机械  
 设备；便捷冰箱、冰柜

Item: Toggle Latch  
 Material: Mild Steel/ Stainless Steel  
 Finish:  
 1. Nickel/zinc/chrome Plated For Mild Steel  
 2. Electrophoresis For Mild Steel  
 3. Tumbled For Stainless Steel  
 Net Weight: 37.5g  
 Bearing Capacity: 50kg  
 Packing: 500pcs/ctn  
 Application: industrial machine, freezer, musical instrument



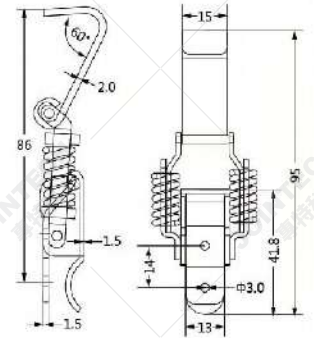
MODEL : J311



名称：搭扣  
 材质：铁/不锈钢  
 表面处理：  
 铁：镀镍/镀锌/镀铬/电泳  
 不锈钢：振光  
 产品净重：40.3g  
 承重：50kg  
 包装：500套/箱  
 应用范围：工业设备、运输设备、机械  
 设备；便捷冰箱、冰柜

Item: Toggle Latch  
 Material: Mild Steel/ Stainless Steel  
 Finish:  
 1. Nickel/zinc/chrome Plated For Mild Steel  
 2. Electrophoresis For Mild Steel  
 3. Tumbled For Stainless Steel  
 Net Weight: 40.3g  
 Bearing Capacity: 50kg  
 Packing: 500pcs/ctn  
 Application: industrial machine;  
 freezer,musical instrument

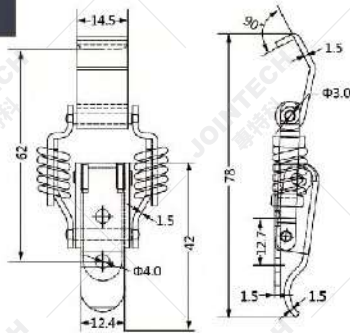
MODEL : J009



名称：搭扣  
 材质：铁/不锈钢  
 表面处理：  
 铁：镀镍/镀锌/镀铬/电泳  
 不锈钢：振光  
 产品净重：48.4g  
 承重：50kg  
 包装：400套/箱  
 应用范围：工业设备、运输设备、机械  
 设备；便捷冰箱、冰柜

Item: Toggle Latch  
 Material: Mild Steel/ Stainless Steel  
 Finish:  
 1. Nickel/zinc/chrome Plated For Mild Steel  
 2. Electrophoresis For Mild Steel  
 3. Tumbled For Stainless Steel  
 Net Weight: 48.4g  
 Bearing Capacity: 50kg  
 Packing: 400pcs/ctn  
 Application: industrial machine;  
 freezer,musical instrument

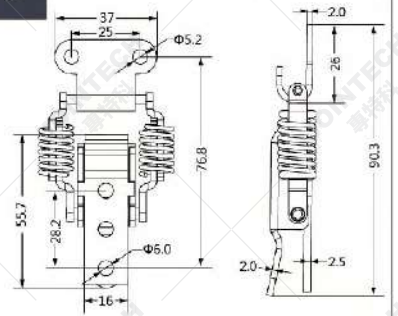
MODEL : J109



名称：搭扣  
 材质：铁/不锈钢  
 表面处理：  
 铁：镀镍/镀锌/镀铬/电泳  
 不锈钢：振光  
 产品净重：37.3g  
 承重：50kg  
 包装：500套/箱  
 应用范围：工业设备、运输设备、机械  
 设备；便捷冰箱、冰柜

Item: Toggle Latch  
 Material: Mild Steel/ Stainless Steel  
 Finish:  
 1. Nickel/zinc/chrome Plated For Mild Steel  
 2. Electrophoresis For Mild Steel  
 3. Tumbled For Stainless Steel  
 Net Weight: 37.3g  
 Bearing Capacity: 50kg  
 Packing: 500pcs/ctn  
 Application: industrial machine;  
 freezer,musical instrument

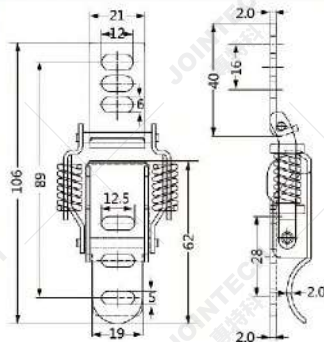
MODEL : J019 \*



名称：搭扣  
 材质：铁/不锈钢  
 表面处理：  
 铁：镀镍/镀锌/镀铬/电泳  
 不锈钢：振光  
 产品净重：84.7g  
 承重：100kg  
 应用范围：食工业设备、运输设备、机械  
 设备；便捷冰箱、冰柜

Item: Toggle Latch  
 Material: Mild Steel/ Stainless Steel  
 Finish:  
 1. Nickel/zinc/chrome Plated For Mild Steel  
 2. Electrophoresis For Mild Steel  
 3. Tumbled For Stainless Steel  
 Net Weight: 84.7g  
 Bearing Capacity: 100kg  
 Application: industrial machine;  
 freezer,musical instrument

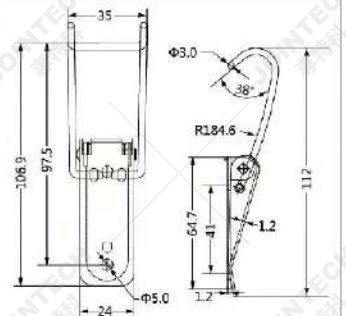
MODEL : J008B



名称：搭扣  
 材质：铁/不锈钢  
 表面处理：  
 铁：镀镍/镀锌/镀铬/电泳  
 不锈钢：振光  
 产品净重：77g  
 承重：80kg  
 包装：500套/箱  
 应用范围：食品加工机、工业设备、防疫  
 设备、医疗用品设备箱，运输设备

Item: Toggle Latch  
 Material: Mild Steel/ Stainless Steel  
 Finish:  
 1. Nickel/zinc/chrome Plated For Mild Steel  
 2. Electrophoresis For Mild Steel  
 3. Tumbled For Stainless Steel  
 Net Weight: 77g  
 Bearing Capacity: 80kg  
 Packing: 500pcs/ctn  
 Application: Refrigerated Truckle;  
 FreezerTruck;Electric Cabinet;  
 Electronic Communication Equipment

MODEL : J113B



名称：搭扣  
 材质：铁/不锈钢  
 表面处理：  
 铁：镀镍/镀锌/镀铬/电泳  
 不锈钢：振光  
 产品净重：45.9g  
 承重：30kg  
 包装：400套/箱  
 应用范围：厨具设备；工业设备、家具

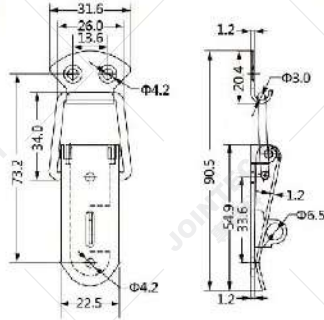
Item: Toggle Latch  
 Material: Mild Steel/ Stainless Steel  
 Finish:  
 1. Nickel/zinc/chrome Plated For Mild Steel  
 2. Electrophoresis For Mild Steel  
 3. Tumbled For Stainless Steel  
 Net Weight: 45.9g  
 Bearing Capacity: 30kg  
 Packing: 400pcs/ctn  
 Application: Electric cabinet;  
 Electronic communication  
 equipment;kitchen ware







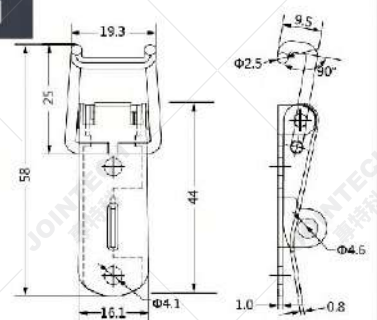
MODEL : J104-1



名称：搭扣  
 材质：铁/不锈钢  
 表面处理：  
 铁：镀镍/镀锌/镀铬/电泳  
 不锈钢：振光  
 产品净重：34g  
 承重：80kg  
 包装：500套/箱  
 应用范围：食品加工机、工业设备、防疫设备、医疗用品设备箱，运输设备

Item: Toggle Latch  
 Material: Mild Steel/ Stainless Steel  
 Finish:  
 1. Nickel/zinc/chrome Plated For Mild Steel  
 2. Electrophoresis For Mild Steel  
 3. Tumbled For Stainless Steel  
 Net Weight: 34g  
 Bearing Capacity: 80kg  
 Packing: 500pcs/ctn  
 Application: Refrigerated Truck; Freezer Truck; Electric Cabinet; Electronic Communication Equipment

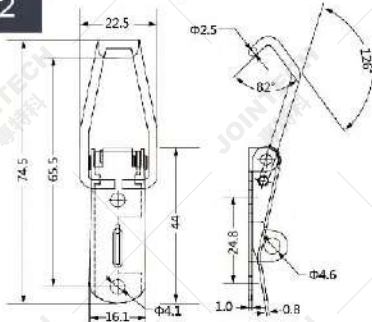
MODEL : J106-1



名称：搭扣  
 材质：铁/不锈钢  
 表面处理：  
 铁：镀镍/镀锌/镀铬/电泳  
 不锈钢：振光  
 产品净重：14.1g  
 承重：40kg  
 包装：1000套/箱  
 应用范围：食品加工机、工业设备、防疫设备、医疗用品设备箱，运输设备

Item: Toggle Latch  
 Material: Mild Steel/ Stainless Steel  
 Finish:  
 1. Nickel/zinc/chrome Plated For Mild Steel  
 2. Electrophoresis For Mild Steel  
 3. Tumbled For Stainless Steel  
 Net Weight: 14.1g  
 Bearing Capacity: 40kg  
 Packing: 1000pcs/ctn  
 Application: Refrigerated Truck; Freezer Truck; Electric Cabinet; Electronic Communication Equipment

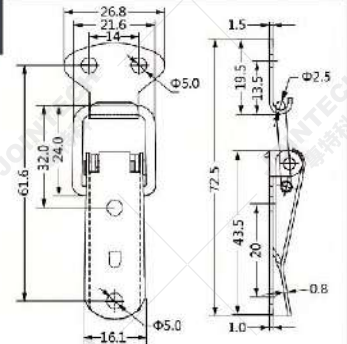
MODEL : J106-2



名称：搭扣  
 材质：铁/不锈钢  
 表面处理：  
 铁：镀镍/镀锌/镀铬/电泳  
 不锈钢：振光  
 产品净重：15.7g  
 承重：20kg  
 包装：1000套/箱  
 应用范围：食品加工机、工业设备、防疫设备、医疗用品设备箱，运输设备

Item: Toggle Latch  
 Material: Mild Steel/ Stainless Steel  
 Finish:  
 1. Nickel/zinc/chrome Plated For Mild Steel  
 2. Electrophoresis For Mild Steel  
 3. Tumbled For Stainless Steel  
 Net Weight: 15.7g  
 Bearing Capacity: 20kg  
 Packing: 1000pcs/ctn  
 Application: Refrigerated Truck; Freezer Truck; Electric Cabinet; Electronic Communication Equipment

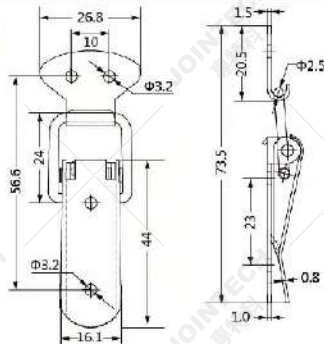
MODEL : J105-1



名称：搭扣  
 材质：铁/不锈钢  
 表面处理：  
 铁：镀镍/镀锌/镀铬/电泳  
 不锈钢：振光  
 产品净重：18.9g  
 承重：60kg  
 包装：1000套/箱  
 应用范围：食品加工机、工业设备、防疫设备、医疗用品设备箱，运输设备

Item: Toggle Latch  
 Material: Mild Steel/ Stainless Steel  
 Finish:  
 1. Nickel/zinc/chrome Plated For Mild Steel  
 2. Electrophoresis For Mild Steel  
 3. Tumbled For Stainless Steel  
 Net Weight: 18.9g  
 Bearing Capacity: 60kg  
 Packing: 1000pcs/ctn  
 Application: Refrigerated Truck; Freezer Truck; Electric Cabinet; Electronic Communication Equipment

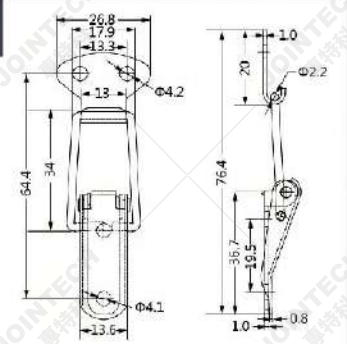
MODEL : J105-3



名称：搭扣  
 材质：铁/不锈钢  
 表面处理：  
 铁：镀镍/镀锌/镀铬/电泳  
 不锈钢：振光  
 产品净重：17.5g  
 承重：60kg  
 包装：1000套/箱  
 应用范围：食品加工机、工业设备、防疫设备、医疗用品设备箱，运输设备

Item: Toggle Latch  
 Material: Mild Steel/ Stainless Steel  
 Finish:  
 1. Nickel/zinc/chrome Plated For Mild Steel  
 2. Electrophoresis For Mild Steel  
 3. Tumbled For Stainless Steel  
 Net Weight: 17.5g  
 Bearing Capacity: 60kg  
 Packing: 1000pcs/ctn  
 Application: Refrigerated Truck; Freezer Truck; Electric Cabinet; Electronic Communication Equipment

MODEL : J117-34

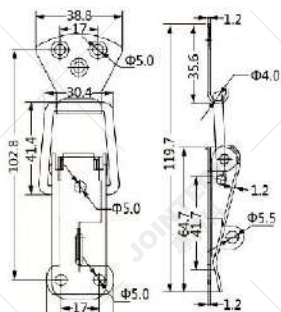


名称：搭扣  
 材质：铁/不锈钢  
 表面处理：  
 铁：镀镍/镀锌/镀铬/电泳  
 不锈钢：振光  
 产品净重：13.9g  
 承重：40kg  
 包装：1500套/箱  
 应用范围：食品加工机、工业设备、防疫设备、医疗用品设备箱，运输设备

Item: Toggle Latch  
 Material: Mild Steel/ Stainless Steel  
 Finish:  
 1. Nickel/zinc/chrome Plated For Mild Steel  
 2. Electrophoresis For Mild Steel  
 3. Tumbled For Stainless Steel  
 Net Weight: 13.9g  
 Bearing Capacity: 40kg  
 Packing: 1500pcs/ctn  
 Application: Refrigerated Truck; Freezer Truck; Electric Cabinet; Electronic Communication Equipment



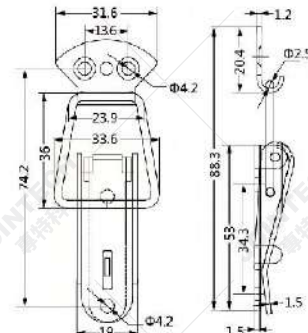
MODEL : J122



名称: 搭扣  
 材质: 铁/不锈钢  
 表面处理:  
 铁: 镀镍/镀锌/镀铬/电泳  
 不锈钢: 振光  
 产品净重: 57g  
 承重: 120kg  
 包装: 400套/箱  
 应用范围: 食品加工机、工业设备、防疫设备、医疗用品设备箱, 运输设备

Item: Toggle Latch  
 Material: Mild Steel/ Stainless Steel  
 Finish:  
 1. Nickel/zinc/chrome Plated For Mild Steel  
 2. Electrophoresis For Mild Steel  
 3. Tumbled For Stainless Steel  
 Net Weight: 57g  
 Bearing Capacity: 120kg  
 Packing: 400pcs/ctn  
 Application: Refrigerated Truck; Freezer Truck; Electric Cabinet; Electronic Communication Equipment

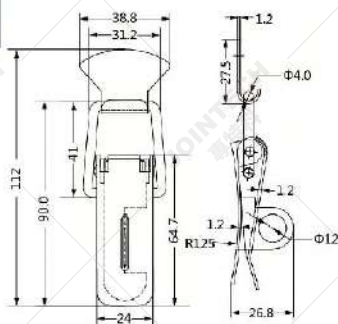
MODEL : J003



名称: 搭扣  
 材质: 铁/不锈钢  
 表面处理:  
 铁: 镀镍/镀锌/镀铬/电泳  
 不锈钢: 振光  
 产品净重: 27.7g  
 承重: 80kg  
 包装: 500套/箱  
 应用范围: 食品加工机、工业设备、防疫设备、医疗用品设备箱, 运输设备

Item: Toggle Latch  
 Material: Mild Steel/ Stainless Steel  
 Finish:  
 1. Nickel/zinc/chrome Plated For Mild Steel  
 2. Electrophoresis For Mild Steel  
 3. Tumbled For Stainless Steel  
 Net Weight: 27.7g  
 Bearing Capacity: 80kg  
 Packing: 500pcs/ctn  
 Application: Refrigerated Truck; Freezer Truck; Electric Cabinet; Electronic Communication Equipment

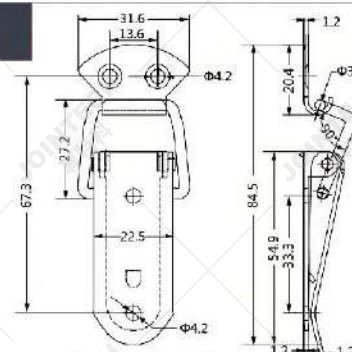
MODEL : J102B



名称: 搭扣  
 材质: 铁/不锈钢  
 表面处理:  
 铁: 镀镍/镀锌/镀铬/电泳  
 不锈钢: 振光  
 产品净重: 53.9g  
 承重: 120kg  
 包装: 400套/箱  
 应用范围: 食品加工机、工业设备、防疫设备、医疗用品设备箱, 运输设备

Item: Toggle Latch  
 Material: Mild Steel/ Stainless Steel  
 Finish:  
 1. Nickel/zinc/chrome Plated For Mild Steel  
 2. Electrophoresis For Mild Steel  
 3. Tumbled For Stainless Steel  
 Net Weight: 53.9g  
 Bearing Capacity: 120kg  
 Packing: 400pcs/ctn  
 Application: Refrigerated Truck; Freezer Truck; Electric Cabinet; Electronic Communication Equipment

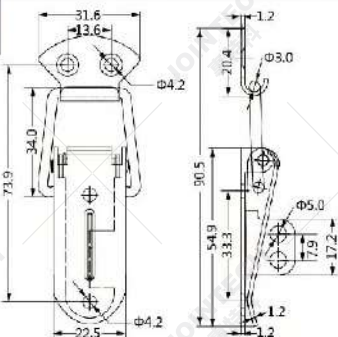
MODEL : J103B



名称: 搭扣  
 材质: 铁/不锈钢  
 表面处理:  
 铁: 镀镍/镀锌/镀铬/电泳  
 不锈钢: 振光  
 产品净重: 35.2g  
 承重: 60kg  
 包装: 500套/箱  
 应用范围: 食品加工机、工业设备、防疫设备、医疗用品设备箱, 运输设备

Item: Toggle Latch  
 Material: Mild Steel/ Stainless Steel  
 Finish:  
 1. Nickel/zinc/chrome Plated For Mild Steel  
 2. Electrophoresis For Mild Steel  
 3. Tumbled For Stainless Steel  
 Net Weight: 35.2g  
 Bearing Capacity: 60kg  
 Packing: 500pcs/ctn  
 Application: Refrigerated Truck; Freezer Truck; Electric Cabinet; Electronic Communication Equipment

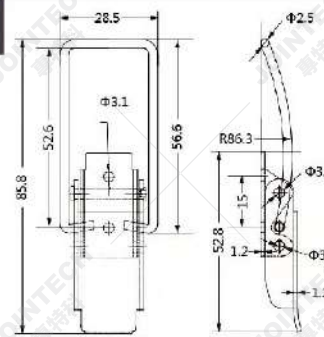
MODEL : J104A



名称: 搭扣  
 材质: 铁/不锈钢  
 表面处理:  
 铁: 镀镍/镀锌/镀铬/电泳  
 不锈钢: 振光  
 产品净重: 34.5g  
 承重: 80kg  
 包装: 500套/箱  
 应用范围: 食品加工机、工业设备、防疫设备、医疗用品设备箱, 运输设备

Item: Toggle Latch  
 Material: Mild Steel/ Stainless Steel  
 Finish:  
 1. Nickel/zinc/chrome Plated For Mild Steel  
 2. Electrophoresis For Mild Steel  
 3. Tumbled For Stainless Steel  
 Net Weight: 34.5g  
 Bearing Capacity: 80kg  
 Packing: 500pcs/ctn  
 Application: Refrigerated Truck; Freezer Truck; Electric Cabinet; Electronic Communication Equipment

MODEL : J304 \*

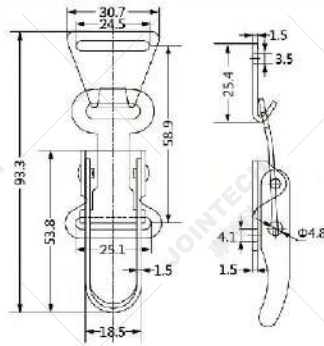


名称: 搭扣  
 材质: 铁/不锈钢  
 表面处理:  
 铁: 镀镍/镀锌/镀铬/电泳  
 不锈钢: 振光  
 产品净重: 24g  
 承重: 60kg  
 包装: 500套/箱  
 应用范围: 食品加工机、工业设备、防疫设备、医疗用品设备箱, 运输设备

Item: Toggle Latch  
 Material: Mild Steel/ Stainless Steel  
 Finish:  
 1. Nickel/zinc/chrome Plated For Mild Steel  
 2. Electrophoresis For Mild Steel  
 3. Tumbled For Stainless Steel  
 Net Weight: 24g  
 Bearing Capacity: 60kg  
 Packing: 500pcs/ctn  
 Application: Refrigerated Truck; Freezer Truck; Electric Cabinet; Electronic Communication Equipment



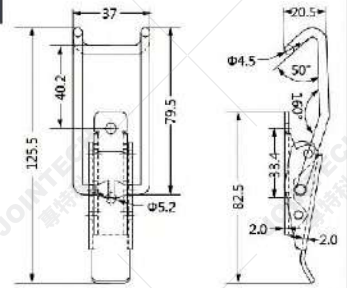
MODEL : J508



名称：搭扣  
 材质：铁/不锈钢  
 表面处理：  
 铁：镀镍/镀锌/镀铬/电泳  
 不锈钢：振光  
 产品净重：25.7g  
 承重：60kg  
 包装：500套/箱  
 应用范围：食品加工机、工业设备、防疫设备、医疗用品设备箱，运输设备

Item: Toggle Latch  
 Material: Mild Steel/ Stainless Steel  
 Finish:  
 1. Nickel/zinc/chrome Plated For Mild Steel  
 2. Electrophoresis For Mild Steel  
 3. Tumbled For Stainless Steel  
 Net Weight: 25.7g  
 Bearing Capacity: 60kg  
 Packing: 500pcs/ctn  
 Application: Refrigerated Truck; Freezer Truck; Electric Cabinet; Electronic Communication Equipment

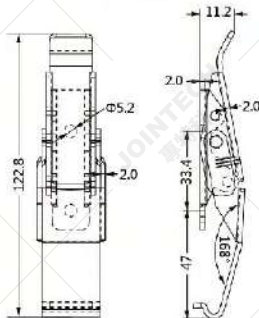
MODEL : J509



名称：搭扣  
 材质：铁/不锈钢  
 表面处理：  
 铁：镀镍/镀锌/镀铬/电泳  
 不锈钢：振光  
 产品净重：88.6g  
 承重：80kg  
 包装：300套/箱  
 应用范围：食品加工机、工业设备、防疫设备、医疗用品设备箱，运输设备

Item: Toggle Latch  
 Material: Mild Steel/ Stainless Steel  
 Finish:  
 1. Nickel/zinc/chrome Plated For Mild Steel  
 2. Electrophoresis For Mild Steel  
 3. Tumbled For Stainless Steel  
 Net Weight: 88.6g  
 Bearing Capacity: 80kg  
 Packing: 300pcs/ctn  
 Application: Refrigerated Truck; Freezer Truck; Electric Cabinet; Electronic Communication Equipment

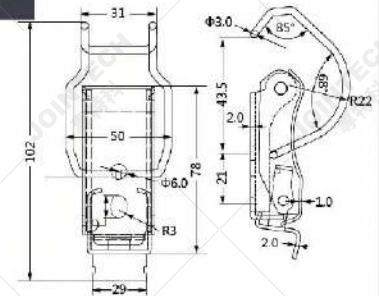
MODEL : J510



名称：搭扣  
 材质：铁/不锈钢  
 表面处理：  
 铁：镀镍/镀锌/镀铬/电泳  
 不锈钢：振光  
 产品净重：99.6g  
 承重：100kg  
 包装：300套/箱  
 应用范围：食品加工机、工业设备、防疫设备、医疗用品设备箱，运输设备

Item: Toggle Latch  
 Material: Mild Steel/ Stainless Steel  
 Finish:  
 1. Nickel/zinc/chrome Plated For Mild Steel  
 2. Electrophoresis For Mild Steel  
 3. Tumbled For Stainless Steel  
 Net Weight: 99.6g  
 Bearing Capacity: 100kg  
 Packing: 300pcs/ctn  
 Application: Refrigerated Truck; Freezer Truck; Electric Cabinet; Electronic Communication Equipment

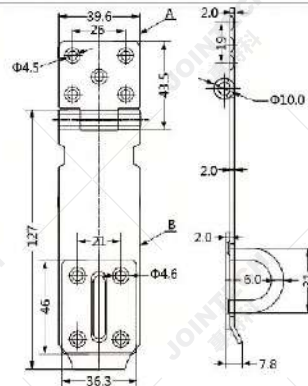
MODEL : J114 \*



名称：搭扣  
 材质：铁/不锈钢  
 表面处理：  
 铁：镀镍/镀锌/镀铬/电泳  
 不锈钢：振光  
 产品净重：99.6g  
 承重：40kg  
 包装：250套/箱  
 应用范围：食品加工机、工业设备、防疫设备、医疗用品设备箱，运输设备

Item: Toggle Latch  
 Material: Mild Steel/ Stainless Steel  
 Finish:  
 1. Nickel/zinc/chrome Plated For Mild Steel  
 2. Electrophoresis For Mild Steel  
 3. Tumbled For Stainless Steel  
 Net Weight: 99.6g  
 Bearing Capacity: 40kg  
 Packing: 250pcs/ctn  
 Application: Refrigerated Truck; Freezer Truck; Electric Cabinet; Electronic Communication Equipment

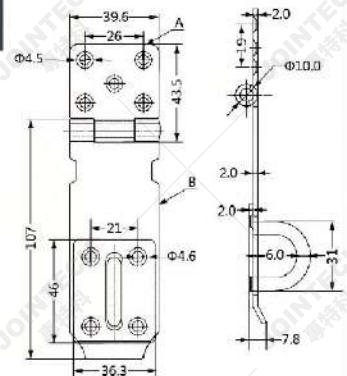
MODEL : J701



名称：锁牌  
 材质：铁/不锈钢  
 表面处理：  
 铁：镀镍/镀锌/镀铬  
 不锈钢：振光  
 产品净重：146g  
 承重：180kg  
 包装：160套/箱  
 应用范围：家具、工业设备

Item: hasp and staple  
 Material: Mild Steel/ Stainless Steel  
 Finish:  
 1. Nickel/zinc/chrome Plated For Mild Steel  
 2. Tumbled For Stainless Steel  
 Net Weight: 146g  
 Bearing Capacity: 180kg  
 Packing: 160pcs/ctn  
 Application: Furniture industrial equipment

MODEL : J702

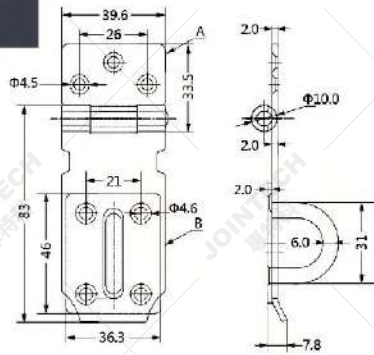


名称：锁牌  
 材质：铁/不锈钢  
 表面处理：  
 铁：镀镍/镀锌/镀铬  
 不锈钢：振光  
 产品净重：135g  
 承重：180kg  
 包装：200套/箱  
 应用范围：家具、工业设备

Item: hasp and staple  
 Material: Mild Steel/ Stainless Steel  
 Finish:  
 1. Nickel/zinc/chrome Plated For Mild Steel  
 2. Tumbled For Stainless Steel  
 Net Weight: 135g  
 Bearing Capacity: 180kg  
 Packing: 200pcs/ctn  
 Application: Furniture industrial equipment



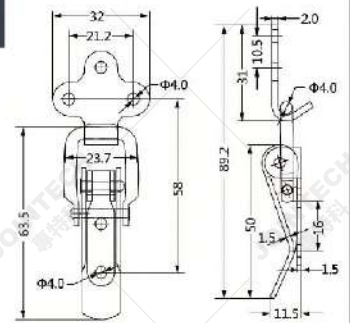
MODEL : J703



名称: 锁牌  
 材质: 铁/不锈钢  
 表面处理:  
 铁: 镀镍/镀锌/镀铬  
 不锈钢: 抛光  
 产品净重: 114.9g  
 承重: 150kg  
 包装: 200套/箱  
 应用范围: 家具、工业设备

Item: hasp and staple  
 Material: Mild Steel/ Stainless Steel  
 Finish:  
 1. Nickel/zinc/chrome Plated For Mild Steel  
 2. Tumbled For Stainless Steel  
 Net Weight: 114.9g  
 Bearing Capacity: 150kg  
 Packing: 200pcs/ctn  
 Application: Furniture industrial equipment

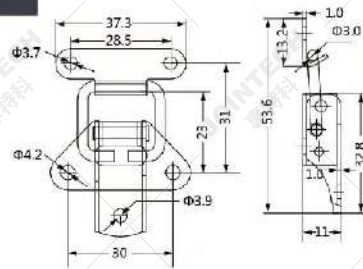
MODEL : J501



名称: 搭扣  
 材质: 铁/不锈钢  
 表面处理:  
 铁: 镀镍/镀锌/镀铬/电泳  
 不锈钢: 抛光  
 产品净重: 34.4g  
 承重: 50kg  
 包装: 300套/箱  
 应用范围: 食品加工机、工业设备、防疫设备、医疗用品设备箱, 运输设备

Item: Toggle Latch  
 Material: Mild Steel/ Stainless Steel  
 Finish:  
 1. Nickel/zinc/chrome Plated For Mild Steel  
 2. Electrophoresis For Mild Steel  
 3. Tumbled For Stainless Steel  
 Net Weight: 34.4g  
 Bearing Capacity: 50kg  
 Packing: 300pcs/ctn  
 Application: Refrigerated Truck; Freezer Truck; Electric Cabinet; Electronic Communication Equipment

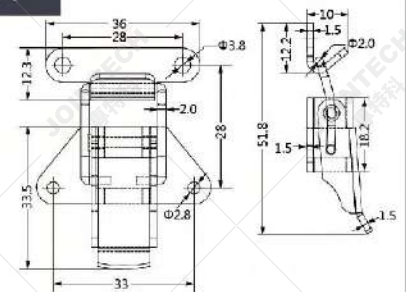
MODEL : J500



名称: 搭扣  
 材质: 铁/不锈钢  
 表面处理:  
 铁: 镀镍/镀锌/镀铬/电泳  
 不锈钢: 抛光  
 产品净重: 18.3g  
 承重: 40kg  
 包装: 1000套/箱  
 应用范围: 厨具设备; 工业设备、家具

Item: Toggle Latch  
 Material: Mild Steel/ Stainless Steel  
 Finish:  
 1. Nickel/zinc/chrome Plated For Mild Steel  
 2. Electrophoresis For Mild Steel  
 3. Tumbled For Stainless Steel  
 Net Weight: 18.3g  
 Bearing Capacity: 40kg  
 Packing: 1000pcs/ctn  
 Application: Electric cabinet, Electronic communication equipment; kitchen ware

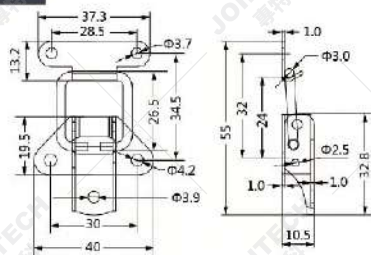
MODEL : J500A \*



名称: 搭扣  
 材质: 铁/不锈钢  
 表面处理:  
 铁: 镀镍/镀锌/镀铬/电泳  
 不锈钢: 抛光  
 产品净重: 21.6g  
 承重: 30kg  
 应用范围: 厨具设备; 工业设备、家具

Item: Toggle Latch  
 Material: Mild Steel/ Stainless Steel  
 Finish:  
 1. Nickel/zinc/chrome Plated For Mild Steel  
 2. Electrophoresis For Mild Steel  
 3. Tumbled For Stainless Steel  
 Net Weight: 21.6g  
 Bearing Capacity: 30kg  
 Application: Electric cabinet; Electronic communication equipment; kitchen ware

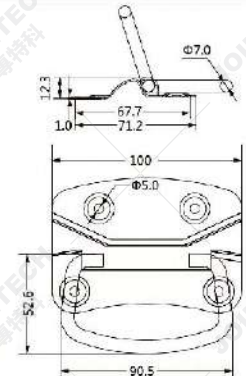
MODEL : J500B



名称: 搭扣  
 材质: 铁/不锈钢  
 表面处理:  
 铁: 镀镍/镀锌/镀铬/电泳  
 不锈钢: 抛光  
 产品净重: 18.3g  
 承重: 40kg  
 包装: 1000套/箱  
 应用范围: 厨具设备; 工业设备、家具

Item: Toggle Latch  
 Material: Mild Steel/ Stainless Steel  
 Finish:  
 1. Nickel/zinc/chrome Plated For Mild Steel  
 2. Electrophoresis For Mild Steel  
 3. Tumbled For Stainless Steel  
 Net Weight: 18.3g  
 Bearing Capacity: 40kg  
 Packing: 1000pcs/ctn  
 Application: Electric cabinet; Electronic communication equipment; kitchen ware

MODEL : J201A粗线

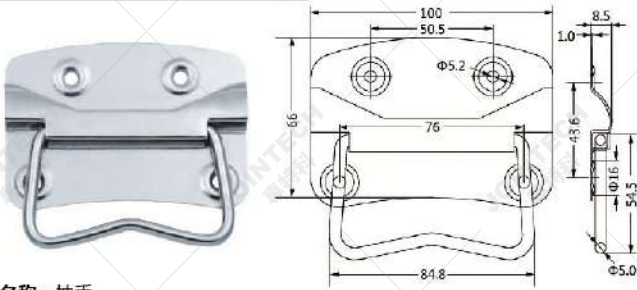


名称: 抽手  
 材质: 铁/不锈钢  
 表面处理:  
 铁: 镀镍/镀锌/镀铬/电泳  
 不锈钢: 抛光  
 产品净重: 108.5g  
 承重: 150kg  
 包装: 250套/箱  
 应用范围: 工具箱, 木箱; 厨具, 运输箱

Item: handle  
 Material: Mild Steel/ Stainless Steel  
 Finish:  
 1. Nickel/zinc/chrome Plated For Mild Steel  
 2. Electrophoresis For Mild Steel  
 3. Tumbled For Stainless Steel  
 Net Weight: 108.5g  
 Bearing Capacity: 150kg  
 Packing: 250pcs/ctn  
 Application: Wooden case; Electric cabinet; tool boxes; storage



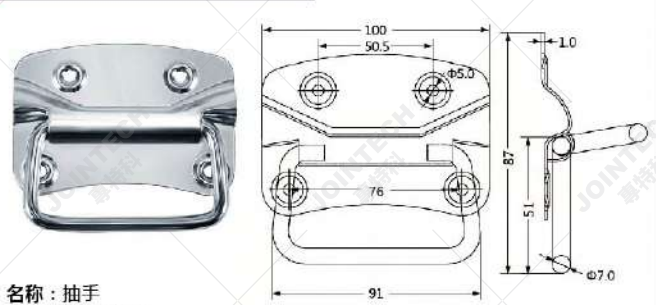
MODEL : J201B细线



名称: 抽手  
 材质: 铁/不锈钢  
 表面处理:  
 铁: 镀锌/镀锌/镀铬/电泳  
 不锈钢: 抛光  
 产品净重: 86.6g  
 承重: 100kg  
 包装: 250套/箱  
 应用范围: 工具箱, 木箱;  
 厨具, 运输箱

Item: handle  
 Material: Mild Steel/ Stainless Steel  
 Finish:  
 1. Nickel/zinc/chrome Plated For Mild Steel  
 2. Electrophoresis For Mild Steel  
 3. Tumbled For Stainless Steel  
 Net Weight: 86.6g  
 Bearing Capacity: 100kg  
 Packing: 250pcs/ctn  
 Application: Wooden case; Electric cabinet; tool boxes; storage

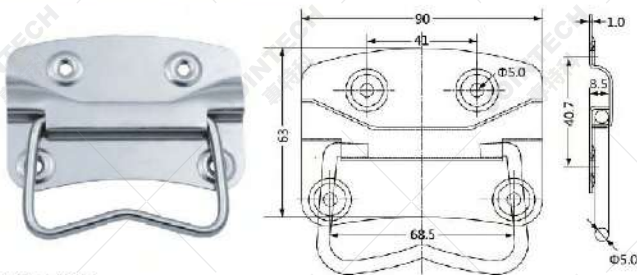
MODEL : J201T-1(粗线-1)



名称: 抽手  
 材质: 铁/不锈钢  
 表面处理:  
 铁: 镀锌/镀锌/镀铬/电泳  
 不锈钢: 抛光  
 产品净重: 112.2g  
 承重: 100kg  
 包装: 250套/箱  
 应用范围: 工具箱, 木箱;  
 厨具, 运输箱

Item: handle  
 Material: Mild Steel/ Stainless Steel  
 Finish:  
 1. Nickel/zinc/chrome Plated For Mild Steel  
 2. Electrophoresis For Mild Steel  
 3. Tumbled For Stainless Steel  
 Net Weight: 112.2g  
 Bearing Capacity: 100kg  
 Packing: 250pcs/ctn  
 Application: Wooden case; Electric cabinet; tool boxes; storage

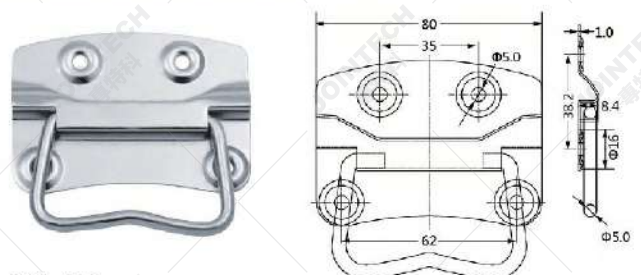
MODEL : J202



名称: 抽手  
 材质: 铁/不锈钢  
 表面处理:  
 铁: 镀锌/镀锌/镀铬/电泳  
 不锈钢: 抛光  
 产品净重: 75.5g  
 承重: 100kg  
 包装: 250套/箱  
 应用范围: 工具箱, 木箱;  
 厨具, 运输箱

Item: handle  
 Material: Mild Steel/ Stainless Steel  
 Finish:  
 1. Nickel/zinc/chrome Plated For Mild Steel  
 2. Electrophoresis For Mild Steel  
 3. Tumbled For Stainless Steel  
 Net Weight: 75.5g  
 Bearing Capacity: 100kg  
 Packing: 250pcs/ctn  
 Application: Wooden case; Electric cabinet; tool boxes; storage

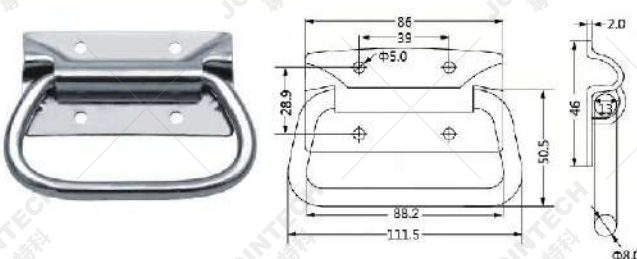
MODEL : J203



名称: 抽手  
 材质: 铁/不锈钢  
 表面处理:  
 铁: 镀锌/镀锌/镀铬/电泳  
 不锈钢: 抛光  
 产品净重: 61.6g  
 承重: 80kg  
 包装: 250套/箱  
 应用范围: 工具箱, 木箱;  
 厨具, 运输箱

Item: handle  
 Material: Mild Steel/ Stainless Steel  
 Finish:  
 1. Nickel/zinc/chrome Plated For Mild Steel  
 2. Electrophoresis For Mild Steel  
 3. Tumbled For Stainless Steel  
 Net Weight: 61.6g  
 Bearing Capacity: 80kg  
 Packing: 250pcs/ctn  
 Application: Wooden case; Electric cabinet; tool boxes; storage

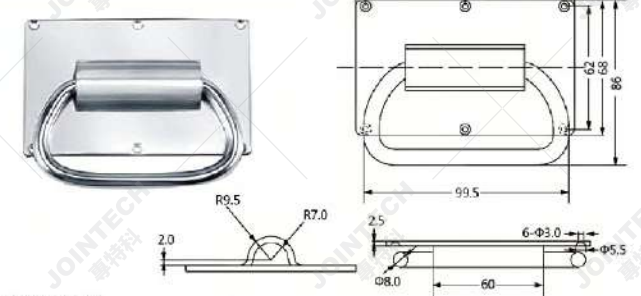
MODEL : J204



名称: 抽手  
 材质: 铁/不锈钢  
 表面处理:  
 铁: 镀锌/镀锌/镀铬/电泳  
 不锈钢: 抛光  
 产品净重: 159.1g  
 承重: 250kg  
 包装: 200套/箱  
 应用范围: 工具箱, 木箱;  
 厨具, 运输箱

Item: handle  
 Material: Mild Steel/ Stainless Steel  
 Finish:  
 1. Nickel/zinc/chrome Plated For Mild Steel  
 2. Electrophoresis For Mild Steel  
 3. Tumbled For Stainless Steel  
 Net Weight: 159.1g  
 Bearing Capacity: 250kg  
 Packing: 200pcs/ctn  
 Application: Wooden case; Electric cabinet; tool boxes; storage

MODEL : J214



名称: 抽手  
 材质: 铁/不锈钢  
 表面处理:  
 铁: 镀锌/镀锌/镀铬/电泳  
 不锈钢: 抛光  
 产品净重: 230.8g  
 承重: 300kg  
 包装: 100套/箱  
 应用范围: 运输箱, 航空箱, 木箱

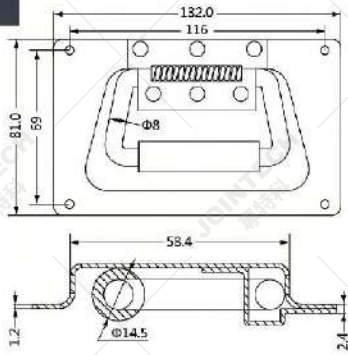
Item: handle  
 Material: Mild Steel/ Stainless Steel  
 Finish:  
 1. Nickel/zinc/chrome Plated For Mild Steel  
 2. Electrophoresis For Mild Steel  
 3. Tumbled For Stainless Steel  
 Net Weight: 230.8g  
 Bearing Capacity: 300kg  
 Packing: 100pcs/ctn  
 Application: flightcase; box, musical equipment, Military Box







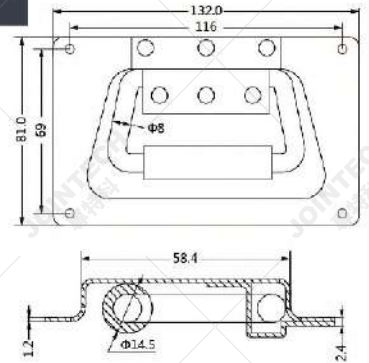
MODEL : J207



名称：抽手  
 材质：铁  
 表面处理：镀铬  
 产品净重：231.2g  
 承重：150kg  
 包装：100套/箱  
 应用范围：运输箱、航空箱、木箱

Item: handle  
 Material: mild Steel  
 Finish: chrome plated  
 Net Weight: 231.2g  
 Bearing Capacity: 150kg  
 Packing: 100pcs/ctn  
 Application: flightcase;box,  
 musical equipment;Military Box

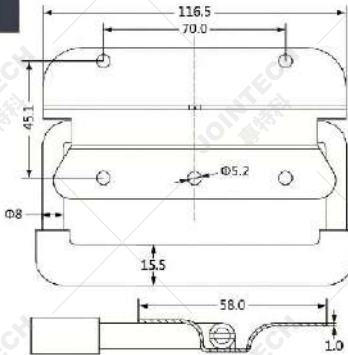
MODEL : J208



名称：抽手  
 材质：铁  
 表面处理：镀铬  
 产品净重：228.7g  
 承重：150kg  
 包装：100套/箱  
 应用范围：运输箱、航空箱、木箱

Item: handle  
 Material: mild Steel  
 Finish: chrome plated  
 Net Weight: 228.7g  
 Bearing Capacity: 150kg  
 Packing: 100pcs/ctn  
 Application: flightcase;box,  
 musical equipment;Military Box

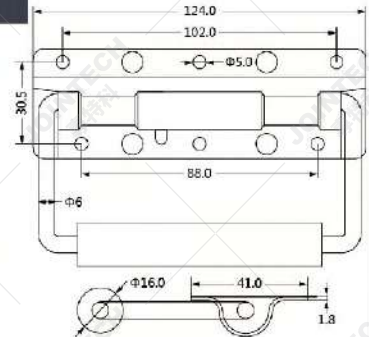
MODEL : J209



名称：抽手  
 材质：铁/铝  
 表面处理：  
 1.铁：镀铬  
 2.铝：氧化  
 产品净重：109.5g  
 承重：400kg  
 包装：100套/箱  
 应用范围：运输箱、航空箱、木箱

Item: handle  
 Material: mild steel/aluminum  
 Finish:  
 1. chrome plated for mild steel  
 2. oxidation treatment for aluminum  
 Net Weight: 109.5g  
 Bearing Capacity: 40kg  
 Packing: 100pcs/ctn  
 Application: flightcase;box,  
 musical equipment;Military Box

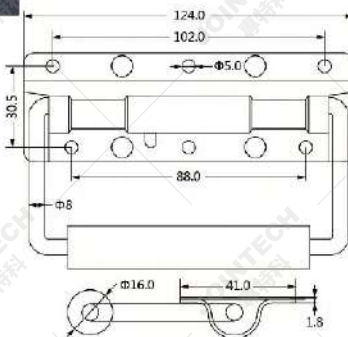
MODEL : J210A



名称：抽手  
 材质：铁  
 表面处理：镀铬  
 产品净重：169g  
 承重：100kg  
 包装：100套/箱  
 应用范围：运输箱、航空箱、木箱

Item: handle  
 Material: mild Steel  
 Finish: chrome plated  
 Net Weight: 169g  
 Bearing Capacity: 100kg  
 Packing: 100pcs/ctn  
 Application: flightcase;box,  
 musical equipment;Military Box

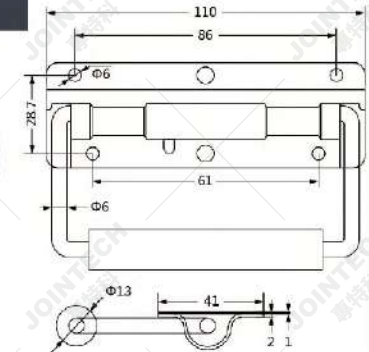
MODEL : J210B



名称：抽手  
 材质：铁  
 表面处理：镀铬  
 产品净重：202.5g  
 承重：100kg  
 包装：100套/箱  
 应用范围：运输箱、航空箱、木箱

Item: handle  
 Material: mild Steel  
 Finish: chrome plated  
 Net Weight: 202.5g  
 Bearing Capacity: 100kg  
 Packing: 100pcs/ctn  
 Application: flightcase;box,  
 musical equipment;Military Box

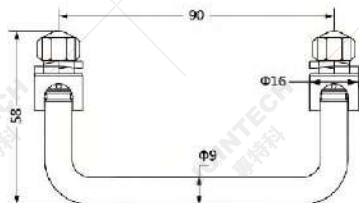
MODEL : J211



名称：抽手  
 材质：铁  
 表面处理：镀铬  
 产品净重：123g  
 承重：120kg  
 包装：100套/箱  
 应用范围：运输箱、航空箱、木箱

Item: handle  
 Material: mild Steel  
 Finish: chrome plated  
 Net Weight: 123g  
 Bearing Capacity: 120kg  
 Packing: 100pcs/ctn  
 Application: flightcase;box,  
 musical equipment;Military Box

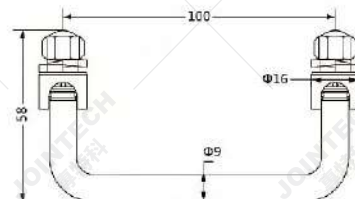
MODEL : J2100A



名称: 折叠型拉手  
 材质: 铁/不锈钢304  
 表面处理:  
 铁: 镀铬  
 不锈钢: 镜光  
 产品净重: 121.8g  
 承重: 50kg  
 应用范围: 厨具设备; 工业设备、家具

Item: handle  
 Material: Mild Steel/ Stainless Steel  
 Finish:  
 1. chrome palled for mild steel  
 2. mirrored polishing for stainless steel  
 Net Weight: 121.8g  
 Bearing Capacity: 50kg  
 Application: Electric cabinet;  
 Electronic communication  
 equipment,kitchen ware

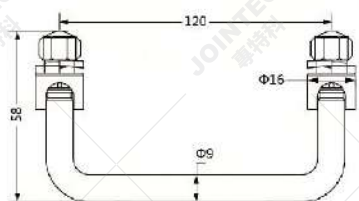
MODEL : J2100B



名称: 折叠型拉手  
 材质: 铁/不锈钢304  
 表面处理:  
 铁: 镀铬  
 不锈钢: 镜光  
 产品净重: 123.8g  
 承重: 50kg  
 应用范围: 厨具设备; 工业设备、家具

Item: handle  
 Material: Mild Steel/ Stainless Steel  
 Finish:  
 1. chrome palled for mild steel  
 2. mirrored polishing for stainless steel  
 Net Weight: 123.8g  
 Bearing Capacity: 50kg  
 Application: Electric cabinet;  
 Electronic communication  
 equipment,kitchen ware

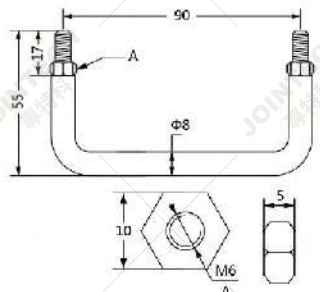
MODEL : J2100C



名称: 折叠型拉手  
 材质: 铁/不锈钢304  
 表面处理:  
 铁: 镀铬  
 不锈钢: 镜光  
 产品净重: 128.2g  
 承重: 50kg  
 应用范围: 厨具设备; 工业设备、家具

Item: handle  
 Material: Mild Steel/ Stainless Steel  
 Finish:  
 1. chrome palled for mild steel  
 2. mirrored polishing for stainless steel  
 Net Weight: 128.2g  
 Bearing Capacity: 50kg  
 Application: Electric cabinet;  
 Electronic communication  
 equipment,kitchen ware

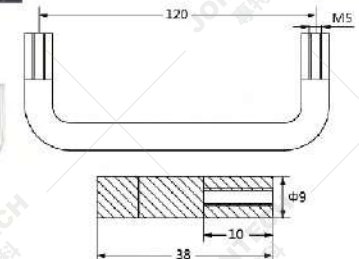
MODEL : J2200



名称: 折叠型拉手  
 材质: 铁/不锈钢304  
 表面处理:  
 铁: 镀铬  
 不锈钢: 镜光  
 产品净重: 73.4g  
 承重: 80kg  
 应用范围: 厨具设备; 工业设备、家具

Item: handle  
 Material: Mild Steel/ Stainless Steel  
 Finish:  
 1. chrome palled for mild steel  
 2. mirrored polishing for stainless steel  
 Net Weight: 73.4g  
 Bearing Capacity: 80kg  
 Application: Electric cabinet;  
 Electronic communication  
 equipment,kitchen ware

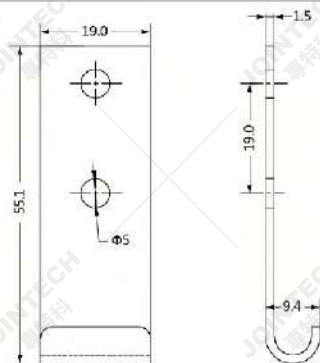
MODEL : J2300



名称: 折叠型拉手  
 材质: 铁/不锈钢304  
 表面处理:  
 铁: 镀铬  
 不锈钢: 镜光  
 产品净重: 85g  
 承重: 60kg  
 应用范围: 厨具设备; 工业设备、家具

Item: handle  
 Material: Mild Steel/ Stainless Steel  
 Finish:  
 1. chrome palled for mild steel  
 2. mirrored polishing for stainless steel  
 Net Weight: 85g  
 Bearing Capacity: 60kg  
 Application: Electric cabinet;  
 Electronic communication  
 equipment,kitchen ware

MODEL : 中号B钩

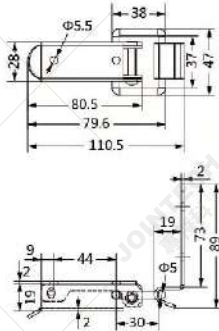


名称: 中号B钩  
 材质: 铁/不锈钢  
 表面处理:  
 铁: 镀锌/镀锌/镀铬/电泳  
 不锈钢: 振光  
 产品净重: 13.8g  
 应用范围: 食品加工机、工业设备、防疫设备、医疗用品设备箱、运输设备

Item: catch plate M-B  
 Material: Mild Steel/ Stainless Steel  
 Finish:  
 1. Nickel/zinc/chrome Plated For Mild Steel  
 2. Electrophoresis For Mild Steel  
 3. Tumbled For Stainless Steel  
 Net Weight: 13.8g  
 Application: Refrigerated Truckle;  
 Freezer Truck;Electric Cabinet;  
 Electronic Communication Equipment



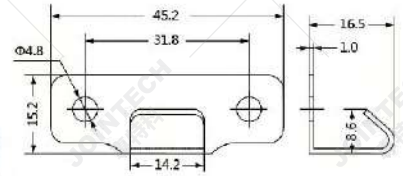
MODEL : J010



名称: 搭扣  
 材质: 铁/不锈钢  
 表面处理:  
 铁: 镀镍/镀锌/镀铬/电泳  
 不锈钢: 振光  
 产品净重: 166g  
 承重: 180kg  
 包装: 200套/箱  
 应用范围: 食品加工机、工业设备、防疫设备、医疗用品设备箱, 运输设备

Item: Toggle Latch  
 Material: Mild Steel/ Stainless Steel  
 Finish:  
 1. Nickel/zinc/chrome Plated For Mild Steel  
 2. Electrophoresis For Mild Steel  
 3. Tumbled For Stainless Steel  
 Net Weight: 166g  
 Bearing Capacity: 180kg  
 Packing: 200pcs/ctn  
 Application: Refrigerated Truck, Freezer Truck, Electric Cabinet, Electronic Communication Equipment

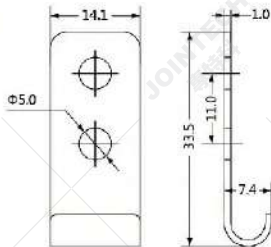
MODEL: 小号B钩



名称: 小号B钩  
 材质: 铁/不锈钢  
 表面处理:  
 铁: 镀镍/镀锌/镀铬/电泳  
 不锈钢: 振光  
 产品净重: 7.1g  
 应用范围: 食品加工机、工业设备、防疫设备、医疗用品设备箱, 运输设备

Item: catch plate S-B  
 Material: Mild Steel/ Stainless Steel  
 Finish:  
 1. Nickel/zinc/chrome Plated For Mild Steel  
 2. Electrophoresis For Mild Steel  
 3. Tumbled For Stainless Steel  
 Net Weight: 7.1g  
 Application: Refrigerated Truck, Freezer Truck, Electric Cabinet, Electronic Communication Equipment

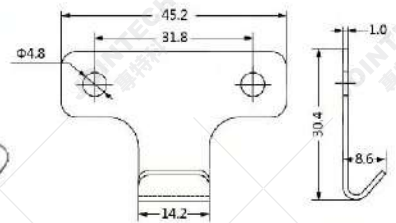
MODEL: 小号C钩



名称: 小号C钩  
 材质: 铁/不锈钢  
 表面处理:  
 铁: 镀镍/镀锌/镀铬/电泳  
 不锈钢: 振光  
 产品净重: 4g  
 应用范围: 食品加工机、工业设备、防疫设备、医疗用品设备箱, 运输设备

Item: catch plate S-C  
 Material: Mild Steel/ Stainless Steel  
 Finish:  
 1. Nickel/zinc/chrome Plated For Mild Steel  
 2. Electrophoresis For Mild Steel  
 3. Tumbled For Stainless Steel  
 Net Weight: 4g  
 Application: Refrigerated Truck, Freezer Truck, Electric Cabinet, Electronic Communication Equipment

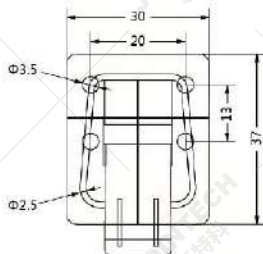
MODEL: 小号D钩



名称: 小号D钩  
 材质: 铁/不锈钢  
 表面处理:  
 铁: 镀镍/镀锌/镀铬/电泳  
 不锈钢: 振光  
 产品净重: 7.1g  
 应用范围: 食品加工机、工业设备、防疫设备、医疗用品设备箱, 运输设备

Item: catch plate S-D  
 Material: Mild Steel/ Stainless Steel  
 Finish:  
 1. Nickel/zinc/chrome Plated For Mild Steel  
 2. Electrophoresis For Mild Steel  
 3. Tumbled For Stainless Steel  
 Net Weight: 7.1g  
 Application: Refrigerated Truck, Freezer Truck, Electric Cabinet, Electronic Communication Equipment

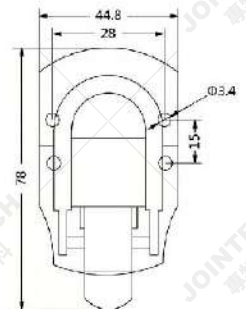
MODEL : J405



名称: 箱包扣  
 材质: 铁  
 表面处理:  
 铁: 镀铬  
 产品净重: 13.1g  
 承重: 20kg  
 包装: 1000套/箱  
 应用范围: 航空箱、军用箱、工具箱

Item: latch  
 Material: mild steel  
 Finish: chrome plated  
 Net weight: 13.1g  
 Bearing capacity: 20kg  
 Packing: 1000 pcs/ctn  
 Application: flightcase, box, transportation equipment, Military Box

MODEL : J408



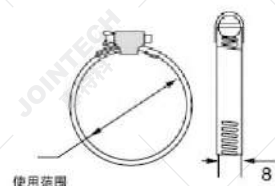
名称: 箱包扣  
 材质: 铁  
 表面处理:  
 铁: 镀铬  
 产品净重: 40g  
 承重: 30kg  
 包装: 400套/箱  
 应用范围: 航空箱、军用箱、工具箱

Item: latch  
 Material: mild steel  
 Finish: chrome plated  
 Net weight: 40g  
 Bearing capacity: 30kg  
 Packing: 400 pcs/ctn  
 Application: flightcase, box, transportation equipment, Military Box

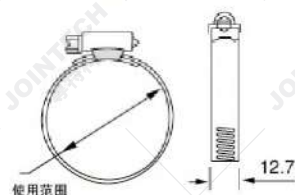
美式喉箍 / American Hose Clamp



8mm 钢带喉箍



12.7mm 钢带喉箍



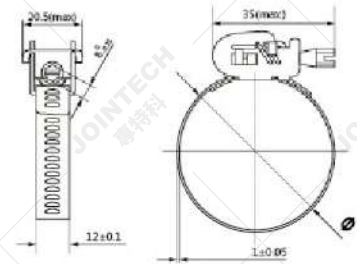
技术参数-美式卡箍 / Technical Data-American Type Hose Clamp

型号	产品货号Item No.			
SAE NO.	LTMS 8.0(Band with 8.0mm)		LTMS 12.7(Band width 12.7mm)	
	inch	mm	inch	mm
04	3/8-5/8	10-16	3/8-5/8	10-16
05	1/2-3/4	13-19	1/2-3/4	13-19
06	1/2-7/8	12-22	5/8-7/8	16-23
08	5/8-1	16-25	3/4-1 1/16	19-27
10	3/4-1 1/16	19-29	5/8-1 1/4	16-32
12	7/8-1 1/4	22-32	3/4-1 1/2	19-38
16	1-1 1/2	25-38	3/4-1 3/4	19-44
20	1 1/4-1 3/4	32-44	1 1/4-2	32-51
24	1 3/8-2	35-51	1 1/2-2 1/4	38-57
28	1 1/2-2 1/4	38-57	1 9/16-2 1/2	40-64
32	1 1/2-2 3/8	35-60	1 13/16-2 3/4	46-70
36	1 3/4-2 1/2	44-64	2 1/4-3	57-76
40	2-2 3/4	51-70	2 5/8-3 1/4	67-83
44	2 3/4-3 1/4	64-76	2 9/16-3 1/2	65-89
48	2 13/16-3 1/2	70-89	2 13/16-3 3/4	72-95
52	2 13/16-3 3/4	72-95	3 1/16-4	78-101
56	3 1/16-4	78-101	3 5/16-4 1/4	84-108
60	/	/	3 9/16-4 1/2	91-114
64	/	/	4 1/8-5	105-127
72	/	/	4 5/8-5 1/2	117-140
80	/	/	5 1/8-6	105-152
88	/	/	5 9/16-6 1/2	114-165
96	/	/	6 1/8-7	156-178
104	/	/	7-8	177-203
116	/	/	8-9	203-228
120	/	/	9-10	228-254

材质 Material	钢带 Band	箍头 Housing	螺丝 Screw	建议安装扭力 Suggested Install Torque
W1	Zinc Plated Steel	Zinc Plated Steel	Zinc Plated Steel	BAND(8MM)--2.1NM BAND(12.7MM)--3.8NM
W2	AISI SS201/SS301	AISI SS201/SS301	Zinc Plated Steel	BAND(8MM) - 2.1NM BAND(12.7MM) --6NM
W2B	AISI SS201	ZINC PLATED STEEL	Zinc Plated Steel	
W4	AISI SS201/SS301/SS304	AISI SS201/SS301/SS304	AISI SS201/SS301/SS304	
W5	AISI SS316	AISI SS316	AISI SS316	



美式快速释放卡箍 / Quick Release Hose Clamp

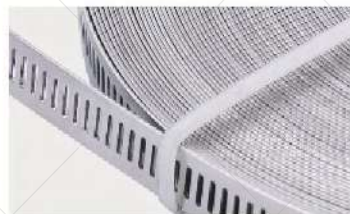


技术参数-美式快速释放卡箍 / Technical Data-Quick Release Hose Clamp

LTZX15.8(Band Width 15.8mm)		
Size	Inch	mm
12	1/2-1 1/4	13-32
20	3/4-1 3/4	19-44
24	1-2	26-51
28	1- 2 1/4	26-57
36	1- 2 3/4	26-70
48	1 1/2- 3 1/2	38-89
56	1-4	26-101
72	2-5	51-127
88	2-6	51-152
104	2-7	51-178
116	1 3/4-7 3/4	45-197
128	4 1/4- 8 1/2	108-216
136	1 3/4-9	45-228
152	2-10	51-254
188	2-12 1/4	51-311

美式卡箍组件 / Hose Clamp Set

Bandwidth 12.7mm; all 200/300 stainless steel; 8.0mm hex-head screw  
 Band width 8mm; Material: all 200/300 stainless steel; 6.0mm hex-head screw, Galvanized Carbon steel.



技术参数-美式卡箍组件 / American Type Technical Data-Hose Clamp Set

Part No.	Bandwidth	Thickness	Length	Material	Moq
AEB08	Band Of 8mm	0.6mm	30m	SS201,SS304,SS316	100rolls
AEB13	Band Of 12.7mm	0.6mm	30m	SS201,SS304,SS316	100rolls
AEH08	Housing For 8mm			W2&W4/SS201,SS304	1000pcs
AEH13	Housing For 12.7mm			W2&W4/SS201,SS304	1000pcs

可根据客户要求提供更多尺寸和材质。以上数据仅供参考  
 More size and material can be supplied according to customers' requirements.Above data just for reference.

美式扣盖喉箍 / Power-Gear Hose Clamp



技术参数-美式扣盖喉箍 / American Type Technical Data-Power-Gear Hose Clamp

型号 Size	产品货号Item No.						
	LTKG 12.5(Bandwidth 12.5mm)		LTKG 14.2(Band width 14.2mm)		LTKG 15.8(Band width 15.8mm)		
	inch	mm	inch	mm	Size	Inch	mm
6	7/16-3/4	11-20	/	/	175	1-1 3/4	25-45
8	1/2-15/16	13-23	/	/	212	1 1/4-2 1/8	32-54
10	9/16-1 1/16	14-27	9/16-1 1/16	14-27	262	1 3/4-2 5/8	45-66
12	11/16-1 1/4	18-32	11/16-1 1/4	18-32	312	2 1/4-3 1/8	57-79
16	13/16-1 1/2	21-38	13/16-1 1/2	21-38	362	2 3/4-3 5/8	70-92
20	13/16-1 3/4	21-44	13/16-1 3/4	21-44	412	3 1/4-4 1/8	83-105
24	1 1/16-2	27-51	1 1/16-2	27-51	462	3 3/4-4 5/8	95-117
28	1 5/16-2 1/4	33-57	1 5/16-2 1/4	33-57	512	4 1/4-5 1/8	108-130
32	1 9/16-2 1/2	40-64	1 9/16-2 1/2	40-64	562	4 3/4-5 5/8	121-143
36	1 13/16-2 3/4	46-70	1 13/16-2 3/4	46-70	612	5 1/4-6 1/8	133-155
40	2 1/16-3	52-76	2 1/16-3	52-76	662	5 3/4-6 5/8	146-168
44	2 5/16-3 1/4	59-83	2 5/16-3 1/4	59-83	712	6 1/4-7 1/8	159-181
48	2 9/16-3 1/2	65-89	2 9/16-3 1/2	65-89	762	6 3/4-7 5/8	172-193
52	2 13/16-3 3/4	71-95	2 13/16-3 3/4	71-95	812	7 1/4-8 1/8	184-206
56	3 1/16-4	78-102	3 1/16-4	78-102	862	7 3/4-8 5/8	197-219
60	3 5/16-4 1/4	84-108	3 5/16-4 1/4	84-108	912	8 1/4-9 1/8	210-232
64	3 9/16-4 1/2	90-114	3 9/16-4 1/2	90-114	/	/	/
72	4 1/16-5	103-127	4 1/16-5	103-127	/	/	/
80	4 5/8-5 1/2	117-140	4 5/8-5 1/2	117-140	/	/	/
88	5 1/8-6	130-152	5 1/8-6	130-152	/	/	/
96	5 9/16-6 1/2	141-165	5 9/16-6 1/2	141-165	/	/	/

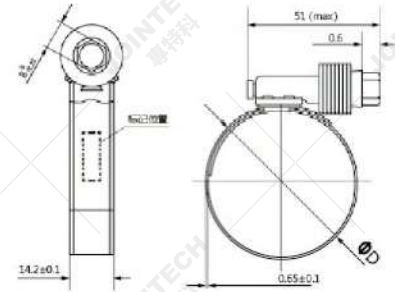
材质 Material	钢带 Band	箍头 Housing	螺丝 Screw	建议安装扭力 Suggested Install Torque
W1	Zinc Plated Steel	Zinc Plated Steel	Zinc Plated Steel	LTKG12.5---5.3Nm
W2	AISI SS201/SS301/SS203	AISI SS201/SS301/SS203	Zinc Plated Steel	LTKG14.2---7.5Nm
W4	AISI SS304	AISI SS304	AISI SS304	LTKG15.8---11Nm

可根据客户要求提供更多尺寸和材质。以上数据仅供参考  
 More size and material can be supplied according to customers' requirements. Above data just for reference.



美式重型恒定压力卡箍 / Constant Tension Clamp

Belleville Spring and clamp construction is built to response to constant temperature fluctuations. The Larger, heavier-gauge, precision-formed springs provide higher rates of band tension and adjustment for a more dependable seal. Inner liner protects against shearing of the hose surfaces.



技术参数-美式重型恒定压力卡箍 / American Type Technical Data-Constant Tension Clamp

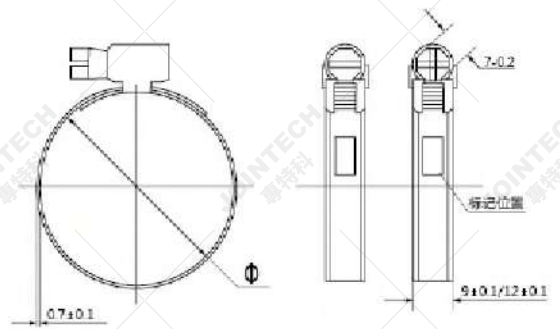
LTZX15.8(Band Width 15.8mm)		
Size	Inch	mm
175	1-1 3/4	25-45
212	1 1/4-2 1/8	32-54
262	1 3/4-2 5/8	45-66
312	2 1/4-3 1/8	57-79
362	2 3/4-3 5/8	70-92
412	3 1/4-4 1/8	83-105
462	3 3/4-4 5/8	95-117
512	4 1/4-5 1/8	108-130
562	4 3/4-5 5/8	121-143
612	5 1/4-6 1/8	133-155
662	5 3/4-6 5/8	146-168
712	6 1/4-7 1/8	159-181
762	6 3/4-7 5/8	172-193
812	7 1/4-8 1/8	184-206
862	7 3/4-8 5/8	197-219
912	8 1/4-9 1/8	210-232

材质 Material	钢带 Band	箍头 Housing	螺丝 Screw	垫圈 Washer	建议安装扭力 Suggested Install Torque
W2	AISI SS301/SS304	AISI SS301/SS304	ZINC PLATED STEEL	AISI SS410	11Nm
W4	AISI SS301/SS304	AISI SS301/SS304	AISI SS301/SS304	AISI SS410	

美式手柄系列 / American hose clamp with handle



德式喉箍 / Germany Type Hose Clamp



技术参数-德式喉箍 / Technical Data-Germany Type Hose Clamp

带宽Bandwidth 9mm 货号Item no.		紧固范围	紧固范围	S	带宽Bandwidth 12mm 货号Item no.		紧固范围	紧固范围	S
W1 W2	W4 W5	Range mm Q675	Range mm DIN3017		mm	W1 W2	W4 W5	Range mm Q675	
LTDS/09B0812	LTDS/09Q0812	8-12	8-12	23	/	/	/	/	/
LTDS/09B1016	LTDS/09Q1016	10-16	10-16	23	/	/	/	/	/
LTDS/09B1222	LTDS/09Q1222	12-22	12-22	23	LTDS/12B1220	LTDS/12Q1220	12-22	12-22	23
LTDS/09B1627	LTDS/09Q1627	16-27	16-27	23	LTDS/12B1625	LTDS/12Q1625	16-27	16-27	23
LTDS/09B2032	LTDS/09Q2032	23-35	20-32	23	LTDS/12B2032	LTDS/12Q2032	23-35	20-32	23
LTDS/09B2540	LTDS/09Q2540	25-40	25-40	26	LTDS/12B2540	LTDS/12Q2540	30-45	25-40	26
LTDS/09B3250	LTDS/09Q3250	32-50	30-45	26	LTDS/12B3250	LTDS/12Q3250	32-50	30-45	26
			35-50	26				35-50	26
LTDS/09B4060	LTDS/09Q4060	40-60	40-60	26	LTDS/12B4060	LTDS/12Q4060	40-60	40-60	26
LTDS/09B5070	LTDS/09Q5070	50-70	50-70	26	LTDS/12B5070	LTDS/12Q5070	50-70	50-70	26
LTDS/09B6080	LTDS/09Q6080	60-80	60-80	26	LTDS/12B6080	LTDS/12Q6080	60-80	60-80	26
LTDS/09B7090	LTDS/09Q7090	70-90	70-90	26	LTDS/12B7090	LTDS/12Q7090	70-90	70-90	29
LTDS/09B80100	LTDS/09Q80100	80-100	80-100	26	LTDS/12B80100	LTDS/12Q80100	80-100	80-100	29
LTDS/09B90110	LTDS/09Q90110	90-110	90-110	26	LTDS/12B90110	LTDS/12Q90110	90-110	90-110	29
LTDS/09B100120	LTDS/09Q100120	100-120	100-120	26	LTDS/12B100120	LTDS/12Q100120	100-120	100-120	31
LTDS/09B110130	LTDS/09Q110130	110-130	110-130	26	LTDS/12B110130	LTDS/12Q110130	110-130	110-130	31
LTDS/09B120140	LTDS/09Q120140	120-140	120-140	26	LTDS/12B120140	LTDS/12Q120140	120-140	120-140	31
LTDS/09B130150	LTDS/09Q130150	130-150	130-150	26	LTDS/12B130150	LTDS/12Q130150	130-150	130-150	31
LTDS/09B140160	LTDS/09Q140160	140-160	140-160	26	LTDS/12B140160	LTDS/12Q140160	140-160	140-160	31



材质 Material	钢带 Band	箍头 Housing	螺丝 Screw	建议安装扭力 Suggested Install Torque	Note
W1	Zinc Plated Steel	Zinc Plated Steel	Zinc Plated Steel	Φ <sub>≤</sub> 25 BAND(9MM) 3.0Nm BAND(12MM) 3.4Nm	
W2	AISI SS430/SS200/SS304	AISI SS430/SS200/SS304	Zinc Plated Steel		
W4	AISI SS304	AISI SS304	AISI SS304	Φ <sub>≤</sub> 25 BAND(9MM) 4.0Nm BAND(12MM) 4.9Nm	
W5	AISI SS316	AISI SS316	AISI SS316		



## 德式偏头喉箍 / German Type Head Hose Clamp



### 技术参数-德式偏头喉箍 / Technical Data-Germany Type Hose Clamp

Dimension		货号Item No.	
		LTDP9.0(Bandwidth 9.0mm)	LTDP12.0(Bandwidth 12.0mm)
8-12	5/16-1/2	LTDP0912	/
10-16	3/8-5/8	LTDP0916	/
12-20	1/2-3/4	LTDP0920	/
12-22	1/2-7/8	LTDP0922	/
16-25	5/8-1	LTDP0925	/
16-27	5/16-11/16	LTDP0927	LTDP1227
20-32	3/4-1 1/4	LTDP0932	LTDP1232
32-35	7/8-1 3/8	LTDP0935	LTDP1235
25-40	1-1 5/8	LTDP0940	LTDP1240
30-45	1 3/16-1 3/4	LTDP0945	LTDP1245
32-50	1 1/4-2	LTDP0950	LTDP1250
40-60	1 5/8-2 3/8	LTDP0960	LTDP1260
50-70	2-2 3/4	LTDP0970	LTDP1270
60-80	2 3/8-3 1/8	LTDP0980	LTDP1280
70-90	2 3/4-3 1/2	LTDP0990	LTDP1290
80-100	3 1/8-4	LTDP09100	LTDP12100
90-110	3 1/2-4 3/8	LTDP09110	LTDP12110
100-120	4-4 3/4	LTDP09120	LTDP12120
110-130	4 3/8-5 1/8	LTDP09130	LTDP12130
120-140	4 3/4-5 1/2	LTDP09140	LTDP12140
130-150	5 1/8-5 7/8	LTDP09150	LTDP12150
140-160	5 1/2-6 1/4	LTDP09160	LTDP12160
150-170	5 15/16-6 11/16	LTDP09170	LTDP12170
160-180	6 5/16-7 1/16	LTDP09180	LTDP12180
170-190	6 11/16-7 1/2	LTDP09190	LTDP12190
180-200	7 1/16-7 7/8	LTDP09200	LTDP12200
190-210	7 1/2-8 1/4	LTDP09210	LTDP12210
200-220	7 7/8-8 11/16	LTDP09220	LTDP12220

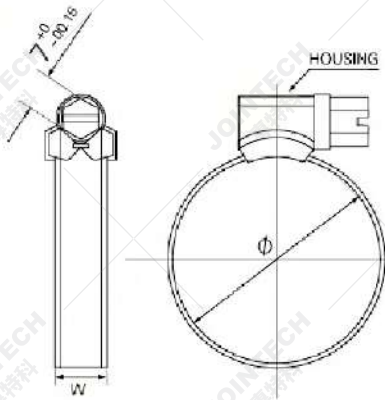
## 德式手柄 / Germany Type Hose Clamp With Handle



可根据客户要求提供更多尺寸和材质。以上数据仅供参考

More size and material can be supplied according to customers' requirements. Above data just for reference.

英式喉箍 / British Type Hose Clamp



技术参数-英式喉箍 / Technical Data-British Type Hose Clamp

货号Item No.										
LTYS with welded Housing (英式点焊喉箍)				LTYS with riveted Housing (英式铆头喉箍)				LTYS with Tube Housing (英式挂头喉箍)		
Part No.	Size (inch)	Size (mm)	Band Width (mm)	Part No.	Size (inch)	Size (mm)	Band Width (mm)	Size (inch)	Size (mm)	Band Width (mm)
OOO	1/2	9-13	9.7	OOO	1/2	9-13	9.7	1/2	9-13	9.7
MOO	5/8	13-16	9.7	MOO	5/8	13-16	9.7	5/8	13-16	9.7
OO	3/4	13-19	9.7	OO	3/4	13-19	9.7	3/4	13-19	9.7
O	7/8	16-22	9.7/11.7	O	7/8	16-22	9.7/11.7	7/8	16-22	9.7/11.7
OX	1	19-25	9.7/11.7	OX	1	19-25	9.7/11.7	1	19-25	9.7/11.7
1A	1 1/7	22-29	9.7/11.7	1A	1 1/7	22-29	9.7/11.7	1 1/7	22-29	9.7/11.7
1	1 1/2	25-35	11.7	1	1 1/2	25-35	11.7/12.7	1 1/2	25-35	11.7
1X	1 5/7	28-41	11.7	1X	1 5/7	28-41	11.7/12.7	1 5/7	28-41	11.7
2A	2	31-48	11.7	2A	2	31-48	11.7/12.7	2	31-48	11.7
2	2 1/4	38-54	11.7	2	2 1/4	38-54	11.7/12.7	2 1/4	38-54	11.7
2X	2 1/2	44-60	11.7	2X	2 1/2	44-60	11.7/12.7	2 1/2	44-60	11.7
3	2 3/4	50-70	11.7	3	2 3/4	50-70	11.7/12.7	2 3/4	50-70	11.7
3X	3 1/7	60-80	11.7	3X	3 1/7	60-80	11.7/12.7	3 1/7	60-80	11.7
4	3 1/2	70-90	11.7	4	3 1/2	70-90	11.7/12.7	3 1/2	70-90	11.7
4X	3 8/9	80-102	11.7	4X	3 8/9	80-102	11.7/12.7	3 8/9	80-102	11.7
5	4 1/3	95-115	11.7	5	4 1/3	95-115	11.7/12.7	4 1/3	95-115	11.7
6	5 1/8	104-127	11.7	6	5 1/8	104-127	11.7/12.7	5 1/8	104-127	11.7
6X	5 8/9	127-146	11.7	6X	5 8/9	127-146	11.7/12.7	5 8/9	127-146	11.7
7	6 2/7	140-160	11.7	7	6 2/7	140-160	11.7/12.7	6 2/7	140-160	11.7
7X	7 1/9	160-180	11.7	7X	7 1/9	160-180	11.7/12.7	7 1/9	160-180	11.7
8	7 7/8	180-200	11.7	8	7 7/8	180-200	/	8 1/16	175-205	11.7
/	9 1/9	210-230	11.7	/	9 1/9	210-230	/	9 2/16	200-231	11.7
/	9 5/6	230-250	11.7	/	9 5/6	230-250	/	10 1/16	226-256	11.7
/	11	260-280	11.7	/	11	260-280	/	11 2/16	251-282	11.7

材质 Material	钢带 Band	箍头 Housing	螺丝 Screw	建议安装扭力 Suggested Install Torque
W1	Zinc Plated Steel	Zinc Plated Steel	Zinc Plated Steel	Φ≤29 3.0Nm
W2	AISI SS301/SS304	AISI SS301/SS304	Zinc Plated Steel	Φ≤40 4.8Nm
W4	AISI SS301/SS304	AISI SS301/SS304	AISI SS301/SS304	Φ≥44 5.2Nm



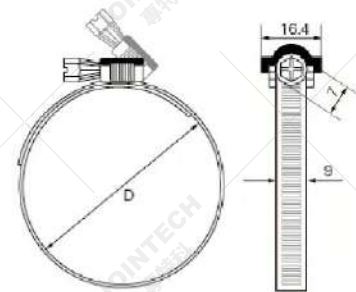
英式卡箍组件 / Hose Clamp Set



技术参数-英式卡箍组件 / Hose Clamp Set

Part No.	BEB09
Band Width	Band Of 9mm
Thickness	0.6mm
Band Length	30m
Worm Head	as per buyer's option
Material	SS430
MOQ	100rolls

英式释放卡箍 / Quick Release Hose Clamp



技术参数-英式释放卡箍 / Technical Data-Quick Release Hose Clamp

货号Item No.					
LTYSSF9.0					
Size(mm)	Band Width(mm)	Size(mm)	Band Width(mm)	Size(mm)	Band Width(mm)
25-100	9	25-250	9	25-500	9
25-125	9	25-275	9	25-550	9
25-150	9	25-300	9	25-600	9
25-175	9	25-350	9	25-650	9
25-200	9	25-400	9	25-700	9
25-225	9	25-450	9	25-750	9

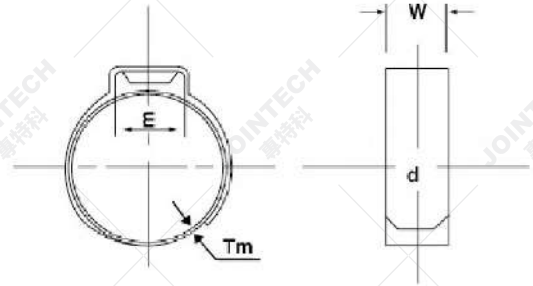
材质 Material	钢带 Band	箍头 Housing	螺丝 Screw	建议安装扭力 Suggested Install Torque
W1	Zinc Plated Steel	Zinc Plated Steel	Zinc Plated Steel	2.6Nm
W2	AISI SS430	Zinc Plated Steel	AISI SS430	

英式手柄卡箍 / British Type Hose Clamp With Handle



可根据客户要求提供更多尺寸和材质。以上数据仅供参考  
More size and material can be supplied according to customers' requirements. Above data just for reference.

单耳卡箍 / Ear Clamp (ss304)



技术参数-单耳卡箍 / Technical Data-Ear Clamp ( ss304 )

Part No.	Dimension (mm)	Part No.	Dimension (mm)	Part No.	Dimension (mm)
6.5-505R	5.5-6.5	22.6-706R	19.4-22.6	66.5-706R	63.3-66.5
7.0-505R	5.8-7.0	23.5-706R	20.3-23.5	68.0-706R	64.8-68.0
8.0-505R	6.8-8.0	24.1-706R	20.9-24.1	69.5-706R	66.3-69.5
8.7-505R	7.0-8.7	25.6-706R	22.4-25.6	71.0-706R	67.8-71.0
9.0-505R	7.3-9.0	27.1-706R	23.9-27.1	72.5-706R	69.3-72.5
9.5-505R	7.8-9.5	28.6-706R	25.4-28.6	74.0-706R	70.8-74.0
10.0-505R	8.3-10.0	30.1-706R	26.9-30.1	75.5-706R	72.3-75.5
10.5-505R	8.8-10.5	30.8-706R	27.6-30.8	77.0-706R	73.8-77.0
10.9-505R	9.2-10.9	31.8-706R	28.4-31.6	78.5-706R	75.3-78.5
11.3-505R	9.6-11.3	33.1-706R	29.9-33.1	80.0-706R	76.8-80.0
11.8-505R	10.1-11.8	34.6-706R	31.4-34.6	81.5-706R	78.3-81.5
11.9-706R	9.4-11.9	36.1-706R	32.9-36.1	83.0-706R	79.8-83.0
12.3-706R	9.8-12.3	37.6-706R	34.4-37.6	84.5-706R	81.3-84.5
12.8-706R	10.3-12.8	38.1-706R	34.9-38.1	86.0-706R	82.8-86.0
13.3-706R	10.8-13.3	39.6-706R	36.4-39.6	87.5-706R	84.3-87.5
13.8-706R	11.3-13.8	41.0-706R	37.8-41.0	89.0-706R	85.8-89.0
14.0-706R	11.5-14.0	42.5-706R	39.3-42.5	90.5-706R	87.3-90.5
14.5-706R	12.0-14.5	44.0-706R	40.8-44.0	92.0-706R	88.8-92.0
14.8-706R	12.3-14.8	45.5-706R	42.3-45.5	93.5-706R	90.3-93.5
15.3-706R	12.8-15.3	47.0-706R	43.8-47.0	95.0-706R	91.8-95.0
15.7-706R	13.2-15.7	48.5-706R	45.3-48.5	96.5-706R	93.3-96.5
16.2-706R	13.7-16.2	50.0-706R	46.8-50.0	98.0-706R	94.8-98.0
16.6-706R	14.1-16.6	51.5-706R	48.3-51.5	99.5-706R	96.3-99.5
16.8-706R	14.3-16.8	53.0-706R	49.8-53.0	101.0-706R	97.8-101.0
17.0-706R	14.5-17.0	54.5-706R	51.3-54.5	102.5-706R	99.3-102.5
17.8-706R	14.6-17.8	56.0-706R	52.8-56.0	104.0-706R	100.8-104.0
18.0-706R	14.8-18.0	57.5-706R	54.3-57.5	105.5-706R	102.3-105.5
18.5-706R	15.3-18.5	59.0-706R	56.8-59.0	108.5-706R	105.3-108.5
19.2-706R	18.0-19.2	60.5-706R	57.3-60.5	110.0-706R	106.8-110.0
19.8-706R	16.5-19.8	62.0-706R	58.8-62.0	111.5-706R	108.3-111.5
21.0-706R	17.5-21.0	63.5-706R	60.3-63.5	113.0-706R	109.8-113.0







■ 技术参数-单耳卡箍 / Technical Data-Ear Clamp ( ss304 )

Part No.	Dimension (mm)	Part No.	Dimension (mm)	Part No.	Dimension (mm)
29.0-1008R	25.8-29.0	62.0-1010R	58.8-62.0	91.5-1010R	88.3-91.5
29.5-1008R	26.3-29.5	63.5-1010R	60.3-63.5	92.0-1010R	88.2-92.0
30.5-1008R	27.3-30.5	65.0-1010R	61.8-65.0	92.5-1010R	89.3-92.5
31.0-1008R	27.8-31.0	65.5-1010R	62.3-65.5	93.0-1010R	89.8-93.0
31.5-1008R	28.3-31.5	66.5-1010R	63.3-66.5	93.5-1010R	90.3-93.5
32.0-1008R	28.8-32.0	68.0-1010R	64.8-68.0	94.0-1010R	90.8-94.0
32.5-1008R	29.3-32.5	69.0-1010R	65.8-69.0	95.0-1010R	91.8-95.0
33.0-1008R	29.8-33.0	69.5-1010R	66.3-69.5	95.5-1010R	92.3-95.5
33.5-1008R	30.3-33.5	71.0-1010R	67.8-71.0	96.0-1010R	92.8-96.0
34.0-1008R	30.8-34.0	72.5-1010R	69.3-72.5	96.5-1010R	93.3-96.5
34.5-1008R	31.3-34.5	74.0-1010R	70.8-74.0	97.5-1010R	94.3-97.5
35.0-1008R	31.8-35.0	75.5-1010R	72.3-75.5	98.0-1010R	94.8-98.0
36.0-1008R	32.8-36.0	77.0-1010R	73.8-77.0	98.5-1010R	95.3-98.5
36.5-1008R	33.3-36.5	78.5-1010R	75.3-78.5	99.5-1010R	96.3-99.5
37.0-1008R	33.8-37.0	80.0-1010R	76.8-80.0	101.0-1010R	97.8-101.0
38.0-1008R	34.8-38.0	81.5-1010R	78.3-81.5	102.0-1010R	98.8-102.0
39.5-1008R	36.8-39.5	82.0-1010R	78.8-82.0	102.5-1010R	99.3-102.5
40.0-1008R	36.8-40.0	83.0-1010R	79.8-83.0	104.0-1010R	100.8-104.0
41.0-1008R	37.8-41.0	83.5-1010R	80.3-83.5	105.5-1010R	102.3-105.5
42.5-1008R	39.3-42.5	84.0-1010R	80.8-84.0	107.0-1010R	103.8-107.0
43.0-1008R	39.8-43.0	84.5-1010R	81.3-84.5	108.5-1010R	105.5-108.5
44.0-1008R	40.8-44.0	85.0-1010R	81.3-85.0	110.0-1010R	106.8-110.0
45.5-1008R	42.3-45.5	85.5-1010R	82.3-85.5	111.5-1010R	108.3-111.5
47.0-1008R	43.8-47.0	86.0-1010R	82.8-86.0	113.0-1010R	109.8-113.0
48.5-1008R	45.3-48.5	86.5-1010R	83.3-86.5	114.5-1010R	111.3-114.5
50.0-1008R	46.8-50.0	87.5-1010R	84.3-87.5	115.0-1010R	111.8-115.0
51.5-1008R	48.3-51.5	88.0-1010R	84.8-88.0	116.0-1010R	112.8-116.0
53.0-1008R	49.8-53.0	89.0-1010R	85.8-89.0	117.5-1010R	114.3-117.5
54.5-1008R	51.3-54.5	90.0-1010R	86.8-90.0	119.0-1010R	115.8-119.0
56.0-1008R	52.8-56.0	90.5-1010R	87.3-90.5	120.5-1010R	117.3-120.5
57.5-1008R	54.3-57.5	91.0-1010R	87.8-91.0	121.5-1010R	118.3-121.5
59.0-1008R	55.8-59.0				
60.5-1008R	55.3-60.5				



Part No.	Dimension Range	Material	Band Width	Band Thickness
A045	25.0~45.0mm	Stainless Steel AISI 304	7mm	0.6mm
A120	60.0~120mm	Stainless Steel AISI 304	7mm	0.6mm

可根据客户要求提供更多尺寸和材质。以上数据仅供参考

More size and material can be supplied according to customers' requirements. Above data just for reference.



T型V槽卡箍 / T-Bolt V Band Clamp



LATCH STYLES

NAME 名称	PICTURES 图片	KNOB AND T-HANDLE DESCRIPTION 功能介绍
T-BOLT LATCH T型螺栓锁		This T-bolt latch is used for permanent or semi-permanent applications and/or safety on pressurized systems. The T-bolt latch is our most economical latch. 该种锁具用于永久或永久应用中或安全加压系统中；该种锁具是我们最经济的一种锁具。
QUICK RELEASE LATCH 快速释放锁		This quick release latch is used for ease of disassembly and is required where the ability to replace bolts is desired. 该种锁具易于拆卸，并且可以按照要求用T型螺栓来替换。
SADDLE QUICK RELEASE LATCH 鞍座式快速释放锁		The saddle quick release latch is also used for ease of disassembly and where the ability to replace bolts is desired. It is not recommended for diameters larger than 10 in. [254mm] due to trunnion/band interference. 该种锁具也易于拆卸，也可以按照要求替换螺栓。由于耳轴/箍带的干扰，不建议用于直径大于10" (254mm) 卡箍。
QUICK RELEASE LATCH 快速释放锁		This quick release latch is also used for ease of disassembly and where the ability to replace bolts is desired. 该种锁具也易于拆卸，也可以按照要求替换螺栓。





## T型卡箍 / T-Bolt Hose Clamp



## T型弹簧卡箍 / T-Bolt Spring Loaded Clamp



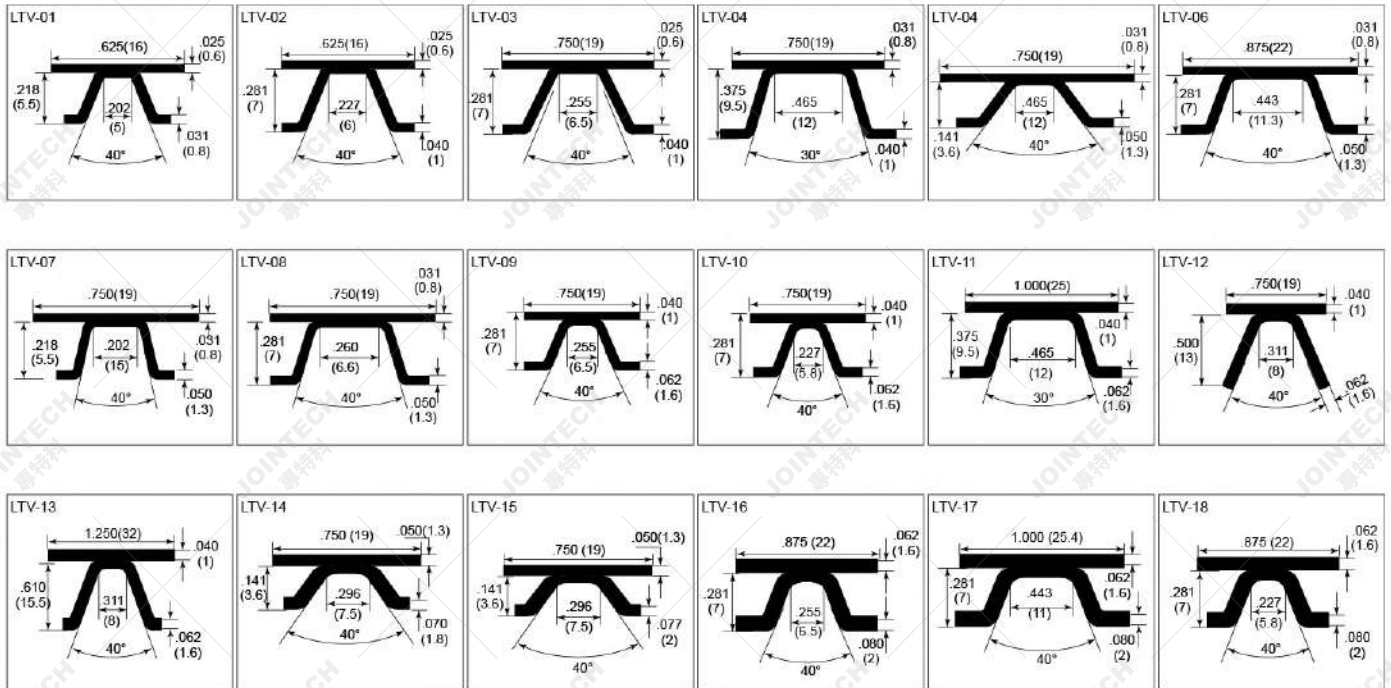
■ 技术参数-T型卡箍、T型弹簧卡箍 / Technical Data-T-Bolt Hose Clamp、T-Bolt Spring Loaded Clamp

货号Item No.							
T-bolt Hose Clamp ( T型卡箍 )			TBolt Spring Loaded Clamp ( T型弹簧卡箍 ) Standard Duty With Small Spring			TBolt Spring LoadedClamp ( T型重型弹簧卡箍 ) Heavy Duty With Large Spring	
SAE No.	规格 Size		SAE No.	规格 Size		规格 Size	
	Inch	mm		Inch	mm	Inch	mm
/	1 1/4-1 7/16	32-37	/	/	/	2 1/8-2 7/16	54-62
/	1 3/8-1 9/16	35-40	/	/	/	2 1/4-2 9/16	57-65
/	1 1/2-1 11/16	38-43	/	/	/	2 1/8-2 11/16	60-68
/	1 5/8-1 7/8	41-46	/	/	/	2 1/2-2 13/16	64-72
28	1 3/4-2	44-52	/	/	/	2 5/8-2 15/16	67-75
30	1 13/16-2 1/16	46-54	/	/	/	2 3/4-3 1/16	70-78
34	1 15/16-2 1/4	50-58	34	1 15/16-2 1/4	50-58	2 7/8-3 3/16	73-81
40	2 1/8-2 7/16	54-62	40	2 1/8-2 7/16	54-62	3-3 5/16	76-84
46	2 5/16-2 5/8	59-67	46	2 5/16-2 5/8	59-67	3 1/16-3 3/8	78-86
52	2 1/2-2 13/16	64-72	52	2 1/2-2 13/16	64-72	3 1/8-3 7/16	80-87
58	2 11/16-3	69-77	58	2 11/16-3	69-77	3 1/4-3 9/16	83-91
64	2 7/8-3 3/16	73-81	64	2 7/8-3 3/16	73-81	3 3/8-3 11/16	86-94
70	3 1/16-3 3/8	78-86	70	3 1/16-3 3/8	78-86	3 1/2-3 13/16	89-97
76	3 1/4-3 9/16	83-91	76	3 1/4-3 9/16	83-91	3 9/16-3 7/8	91-98
82	3 7/16-3 3/4	88-96	82	3 7/16-3 3/4	88-96	3 5/8-3 15/16	92-100
88	3 5/8-3 15/16	92-100	88	3 5/8-3 15/16	92-100	3 3/4-4 1/16	95-103
94	3 13/16-4 1/8	97-105	94	3 13/16-4 1/8	97-105	4 1/16-4 3/8	103-111
100	4-4 5/16	102-110	100	4-4 5/16	102-110	4 1/8-4 7/16	105-122
108	4 1/4-4 9/16	108-116	108	4 1/4-4 9/16	108-116	4 1/2-4 9/16	108-116
116	4 1/2-4 13/16	114-122	116	4 1/2-4 13/16	114-122	4 1/2-4 13/16	114-122
124	4 3/4-5 1/16	121-129	124	4 3/4-5 1/16	121-129	4 9/16-4 7/8	116-124
132	5-5 5/16	127-135	132	5-5 5/16	127-135	5-5 5/16	127-135
140	5 1/4-5 9/16	134-142	140	5 1/4-5 9/16	134-142	5 1/4-5 9/16	133-141
148	5 1/2-5 13/16	140-148	148	5 1/2-5 13/16	140-148	5 1/2-5 13/16	140-148
156	5 3/4-6 1/16	146-154	156	5 3/4-6 1/16	146-154	5 3/4-6 1/16	146-154
164	6-6 5/16	153-161	164	6-6 5/16	153-161	6-6 5/16	152-160
172	6 1/4-6 9/16	159-167	172	6 1/4-6 9/16	159-167	6 1/4-6 9/16	159-167
180	6 1/2-6 13/16	165-173	180	6 1/2-6 13/16	165-173	6 1/2-6 13/16	165-173

带宽 Bandwidth mm	材质 Material	钢带 Band	舌板 Bridge	三通管 Trunnion	三通帽 Cap	弹簧 Spring	螺栓 Bolt	螺母 Nut	建议安装扭力 Suggested Install Torque
19	W2	AISI SS301/SS304	AISISS301/SS304	AISISS301/SS304	AISI SS304	Zinc plated steel	Zinc plated steel	Zinc plated steel	9 Nm
19	W4	AISI SS301/SS304	AISI SS301/SS304	AISI SS301/SS304	AISI SS304	/	AISI SS304	AISI SS304	

可根据客户要求提供更多尺寸和材质。以上数据仅供参考

More size and material can be supplied according to customers' requirements. Above data just for reference.





## BOLT CODE

CODE 编号	THREAD SIZE 螺纹尺寸	BOLT DESCRIPTION 螺栓描述	PICTURES 图片
LTB1	10-32 1/4-28 M6X1 5/16-24 3/8-16 1/2-13	4037 Alloy Heat Treated to 125,000-145,000 psi, Zinc Plated 4037合金热处理 125000-145000psi 铁镀锌	
LTB2	10-32 1/4-20 1/4-28 5/16-18 5/16-24 3/8-16 10-32	18-8Stainless Steel ( 302 or305 ) 18-8不锈钢 ( 302或305 )	
LTB3	1/4-28 5/16-24	431, 420 or 410Stainless Steel Heat Treated to 140,000 to 160,000 psi 不锈钢431, 420, 410热处理140000-160000psi	
LTB4	10-32 1/4-28	A286 Stainless Steel, 130,000 psi minimum 不锈钢A286, 最小130000psi	
LTB5	1/4-28 M6X1 M8X1.25	316 Stainless Steel 不锈钢316	

## KNOB CODE

CODE 型号	KNOB AND T-HANDLE DESCRIPTION 功能介绍	PICTURES 图片
LTK1	Knob for hand tightening, plastic with Brass insert, 1 in.long[25.4mm] 手紧旋钮, 塑料外壳, 黄铜插入件, 1" 长 ( 25.4mm )	
LTK2	Knob for hand tightening, plastic with Brass insert, 1.75 in.long[44.5mm] 手紧旋钮, 塑料外壳, 黄铜插入件, 1.75" 长 ( 44.5mm )	
LTK3	T-Handle for hand tightening, Steel, Cadmium or Zinc Plated, 3 in.long[76.2mm] 手紧旋钮, 钢, 镀铬或铁镀锌, 3" 长 ( 76.2mm )	

## NUT CODE

CODE 型号	NUT DESCRIPTION 功能介绍	TEMP RATING 温度等级	SELF-LOCKING 是否自锁	PICTURES 图片
LTS1	Steel, self-locking, nylon insert, Cadmium or Zinc Plated 钢, 自锁, 尼龙镶嵌, 镀铬或镀锌	250°F [120°C]	Yes	
LTS2	All metal, Steel, self-locking, collar or short beam design, Cadmium or Zinc Plated 全铁, 钢, 自锁, 短梁设计, 镀铬或镀锌	550°F [290°C]	Yes	
LTS3	All metal, 18-8 Stainless Steel*, self-locking, collar or short beam design, Silver Plated 全铁, 18-8不锈钢, 自锁, 短梁设计, 镀银	800°F [425°C]	Yes	
LTS4	All metal, 347 Stainless Steel*, self-locking, collar or short beam design, Silver Plated 全铁, 347不锈钢, 自锁, 短梁设计, 镀银	1200°F [650°C]	Yes	
LTS5	18-8Stainless Steel, self-locking, nylon insert, Silver Plated 18-8不锈钢, 自锁, 尼龙镶嵌, 镀银	250°F [120°C]	Yes	
LTS6	Stainless Steel Hex Nut, Silver Plated 不锈钢六角螺母, 镀银	800°F [425°C]	Yes	
LTS7	Steel Hex Nut, Zinc Plated 钢六角螺母, 铁镀锌	--	No	

可根据客户要求提供更多尺寸和材质。以上数据仅供参考

More size and material can be supplied according to customers' requirements. Above data just for reference.

实心强力空心强力卡箍 / Heavy Duty Hose Clamp



技术参数-实心强力空心强力卡箍 / Technical Data-Heavy Duty Hose Clamp with one bolt

货号Item No.							
Heavy Duty Hose Clamp With one Bolt 实心强力卡箍		Heavy Duty Hose Clamp With Hollow Shaft 空心强力卡箍		Band Width (mm)	Screw	Thickness	
Part No.	Size(mm)	Part No.	Size(mm)			W1(mm)	W4(mm)
LTSX19	17-19	LTKX19	17-19	18	M5*40	0.6	0.6
LTSX21	19-21	LTKX21	19-21				
LTSX22	20-22	LTKX22	20-22				
LTSX23	21-23	LTKX23	21-23				
LTSX25	23-25	LTKX25	23-25				
LTSX28	26-28	LTKX28	26-28				
LTSX31	29-31	LTKX31	29-31	20	M6*50	0.8	0.6
LTSX35	32-35	LTKX35	32-35				
LTSX39	36-39	LTKX39	36-39				
LTSX41	38-41	LTKX41	38-41				
LTSX43	40-43	LTKX43	40-43				
LTSX46	43-46	LTKX46	43-46				
LTSX47	44-47	LTKX47	44-47	22	M6*55	1.2	0.8
LTSX51	48-51	LTKX51	48-51				
LTSX55	52-55	LTKX55	52-55				
LTSX59	56-59	LTKX59	56-59				
LTSX63	60-63	LTKX63	60-63				
LTSX67	64-67	LTKX67	64-67				
LTSX73	68-73	LTKX73	68-73	24	M8*70	1.5	0.8
LTSX79	74-79	LTKX79	74-79				
LTSX80	76-80	LTKX80	76-80				
LTSX85	80-85	LTKX85	80-85				
LTSX91	86-91	LTKX91	86-91				
LTSX97	92-97	LTKX97	92-97				
LTSX103	98-103	LTKX103	98-103	26	M8*80	1.7	1
LTSX112	104-112	LTKX112	104-112				
LTSX121	113-121	LTKX121	113-121				
LTSX130	122-130	LTKX130	122-130				
LTSX139	131-139	LTKX139	131-139				
LTSX148	140-148	LTKX148	140-148				
LTSX161	149-161	LTKX161	149-161	26	M10*110	1.7	1
LTSX174	162-174	LTKX174	162-174				
LTSX187	175-187	LTKX187	175-187				
LTSX200	188-200	LTKX200	188-200				
LTSX213	201-213	LTKX213	201-213				
LTSX226	214-226	LTKX226	214-226				
LTSX239	227-239	LTKX239	227-239	26	M10*110	1.7	1
LTSX252	240-252	LTKX252	240-252				

材质 Material	钢带 Band	舌板 Bridge	轴 Trunnion	螺栓 Bolt	建议安装扭力 Suggested Install Torque
W1	Zinc Plated Steel	Zinc Plated Steel	Zinc Plated Steel	Zinc Plated Steel	Φ≤28 4.5Nm Φ≤67 9Nm Φ≤130 18Nm Φ≤252 29Nm
W4	AISI SS301/SS304	AISI SS301/SS304	AISI SS301/SS304	A2-70	



### ADJUSTABLE SPINDLE ASSEMBLIES



#### FLAT CUSHION-TIP BONDED NEOPRENE CAP

Prat NO.	Description	Prat NO.	Description
GH-FC-042507	M4×25P=0.7	GH-FC-10138	3/16-24×1-3/8
GH-FC-044207	M4×42P=0.7	GH-FC-14134	1/4-20×1-3/4
GH-FC-064410	M6×44P=1.0	GH-FC-14218	1/4-20×2-1/8
GH-FC-065110	M6×51P=1.0	GH-FC-56212	5/16-18×2-1/2
GH-FC-086312	M8×63P=1.25	GH-FC-56300	5/16-18×3
GH-FC-087512	M8×75P=1.25	GH-FC-38312	3/8-16×3-1/2
GH-FC-108515	M10×85P=1.5	GH-FC-38412	3/8-16×4-1/2
GH-FC-121017	M12×100P=1.75	GH-FC-12334	1/2-13×3-3/4

型號	螺桿直徑	螺絲總長	螺紋螺距
GH-FC-064410(公制)	06=M6	44=44mm	10=1.0mm
GH-FC-56212(公制)	56=5/16英寸	212=2.5英寸	每英寸18牙

### ADJUSTABLE SPINDLE ASSEMBLIES



#### STANDARD ADJUSTABLE

Prat NO.	Description	Prat NO.	Description
GH-SA-041507	M4×15P=0.7	GH-SA-08034	8-32×3/4(nylon)
GH-SA-042007	M4×20P=0.7	GH-SA-10118	10-24×1-1/8
GH-SA-042507	M4×25P=0.7	GH-SA-14112	1/4-20×1-1/2
GH-SA-044007	M4×40P=0.7	GH-SA-14134	1/4-20×1-3/4
GH-SA-051508	M5×15P=0.8	GH-SA-56200	5/16-18×2
GH-SA-064010	M6×40P=1.0	GH-SA-56212	5/16-18×2-1/2
GH-SA-065010	M6×50P=1.0	GH-SA-38300	3/8-16×3
GH-SA-083012	M8×30P=1.25	GH-SA-38400	3/8-16×4
GH-SA-085012	M8×50P=1.25	GH-SA-12300	1/2-13×3
GH-SA-086512	M8×65P=1.25	GH-SA-12412	1/2-13×4-1/2
GH-SA-105015	M10×50P=1.5	GH-SA-58500	5/8-11×5
GH-SA-107515	M10×75P=1.5		
GH-SA-109015	M10×90P=1.5		
GH-SA-125017	M12×50P=1.75		

### ADJUSTABLE SPINDLE ASSEMBLIES



#### CONE CUSHION-TIP BONDED NEOPRENE CAP

Prat NO.	Description
GH-CC-10138	3/16-24×1-3/8
GH-CC-14134	1/4-20×1-3/4
GH-CC-14214	1/4-20×2-1/8
GH-CC-14218	1/4-20×2-1/8
GH-CC-56212	5/16-18×2-1/2
GH-CC-56300	5/16-18×3
GH-CC-38312	3/8-13×3-1/2

### SWIVEL FOOT ADJUSTABLE SPINDLE ASSEMBLIES



Prat NO.	Description	Prat NO.	Description
GH-SF-05035	M5×35P=0.8	GH-SF-14214	1/4-24×2-1/4
GH-SF-06050	M6×50P=1.0	GH-SF-56234	5/16-18×2-3/4
GH-SF-08065	M8×65P=1.25	GH-SF-38300	3/8-16×3
GH-SF-10085	M10×85P=1.5	GH-SF-12400	1/2-12×4
GH-SF-12100	M12×100P=1.75		
GH-SF-16150	M16×150P=2.0		

### FLANGED WASHERS FOR U-BAR CLAMPS



Prat NO.	Description
GH-FW-080	For #8 spindle
GH-FW-100	For #10 spindle
GH-FW-140	For 1/4 spindle
GH-FW-141	For 1/4 spindle
GH-FW-516	For 5/16 spindle
GH-FW-380	For 3/8 spindle
GH-FW-120	For 1/2 spindle
GH-FW-580	For 5/8 spindle

### NEOPRENEN CAPS



#### SLIPS ON STANDRD ADJUSTABLE SPINDLE HEADS

Prat NO.	Description
GH-NC-140	For 1/4 spindle
GH-NC-516	For 5/16 spindle
GH-NC-380	For 3/8 spindle
GH-NC-120	For 1/2 spindle

### BOLT RETAINERS



#### WELDON FOR SOLID-BAR CLAMPS

Prat NO.	Description
GH-BR-140	For 1/4 spindle
GH-BR-141	For 1/4 spindle
GH-BR-516	For 5/16 spindle
GH-BR-380	For 3/8 spindle
GH-BR-120	For 1/2 spindle
GH-BR-580	For 5/8 spindle



# JOINTECH

## 专特科实业有限公司

JOINTECH INDUSTRIAL CO.,LTD

E-mail: [sales@toggle-clamps.com](mailto:sales@toggle-clamps.com)

Website: [www.toggle-clamps.com](http://www.toggle-clamps.com)

Skype: jimms19810411

Mobile: 0086-0-13713469601



### 国际销售中心：

香港九龍尖沙咀柯士甸道122號麗斯中心12樓A1座  
电话: 00852-8224 2118  
传真: 00852-8147 2078

### Hongkong International Sales Center:

Address: Suite A1, 12/F., Ritz Plaza, 122 Austin Road TST.,  
Kowloon, Hong Kong  
Tel: 00852-8224 2118  
Fax: 00852-8147 2078

本公司對產品規格、設計特性均不斷研究改進，  
上述規格若有變更，恕不另行通知。  
Specifications and design characteristics are subject  
to change without prior notice.

### 中国生产工厂：

中国广东省东莞市万江区石美工业区 邮编：523040  
电话: 0086-0769-28680657  
传真: 0086-0769-22461613

### China Mainland Factory:

Address: Shimei Industrial Park, Wanjiang District, Dongguan City,  
Guangdong Province, China. Postal Code: 523040  
Tel: 0086-0769-28680657  
Fax: 0086-0769-22461613

版權所有 翻印必究  
All rights reserved